

House of Stewart Gardens  
119 Earlsbrook Road  
Redhill RH1 6HY  
Surrey

CLIENT  
MacDonald  
Bowshots  
Carter's Hill  
Underriver  
Sevenoaks  
KENT TN15 0SD

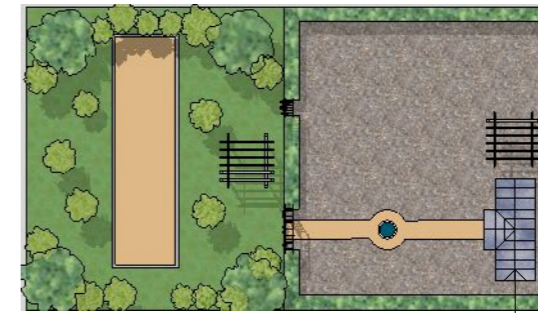
PROJECT  
Kitchen garden

DRAWN BY  
BS

SCALE  
1:100 @ A3

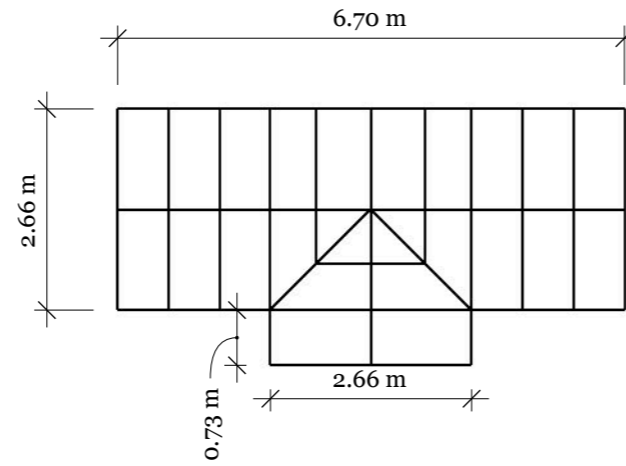
DATE  
25.09.23

DESCRIPTION  
Kitchen Garden Greenhouse

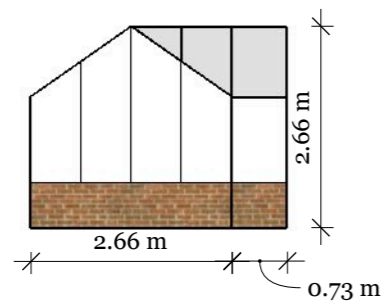


Greenhouse

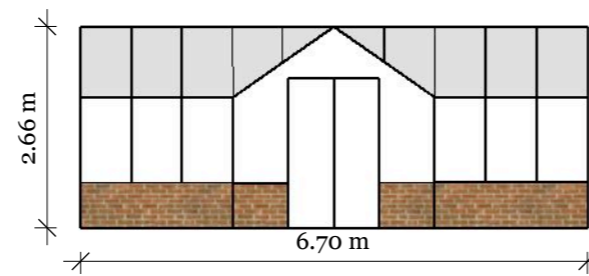
Plan view



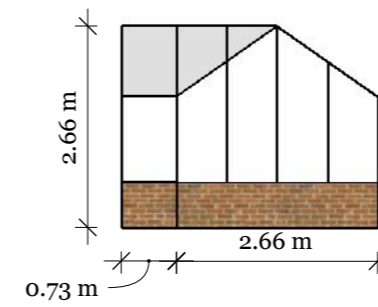
Left side elevation



Front view elevation



Right side elevation



Scale 1:100 @A3



House of Stewart Gardens  
119 Earlsbrook Road  
Redhill RH1 6HY  
Surrey

CLIENT  
MacDonald  
Bowshots  
Carter's Hill  
Underriver  
Sevenoaks  
KENT TN15 0SD

PROJECT  
Kitchen garden

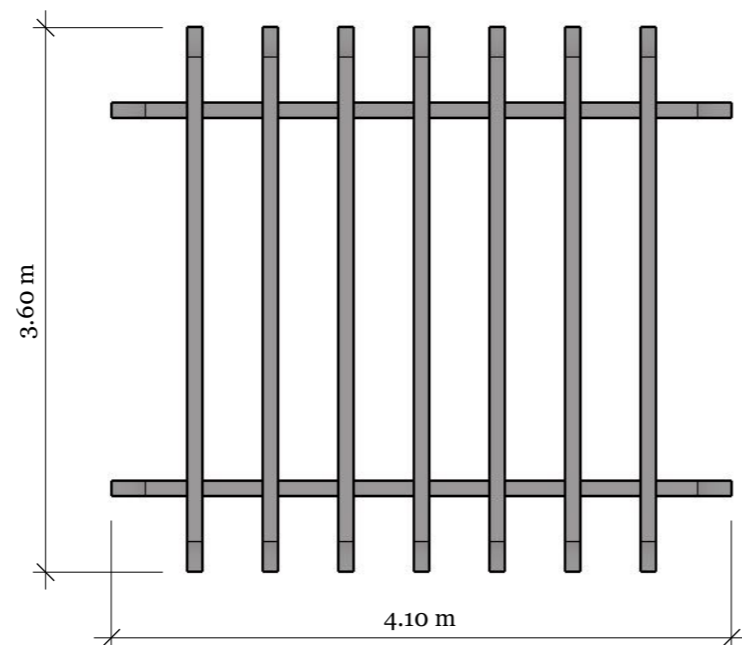
DRAWN BY  
BS

SCALE:  
1:50 @ A3

DATE  
25.09.23

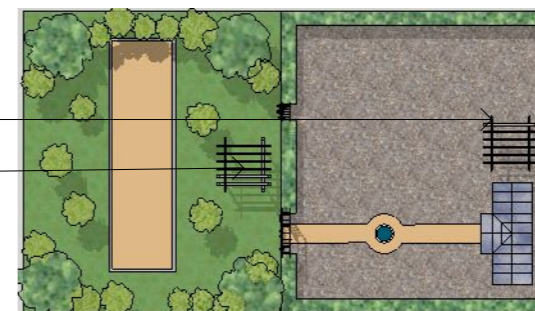
DESCRIPTION  
Kitchen garden pergola

Plan view

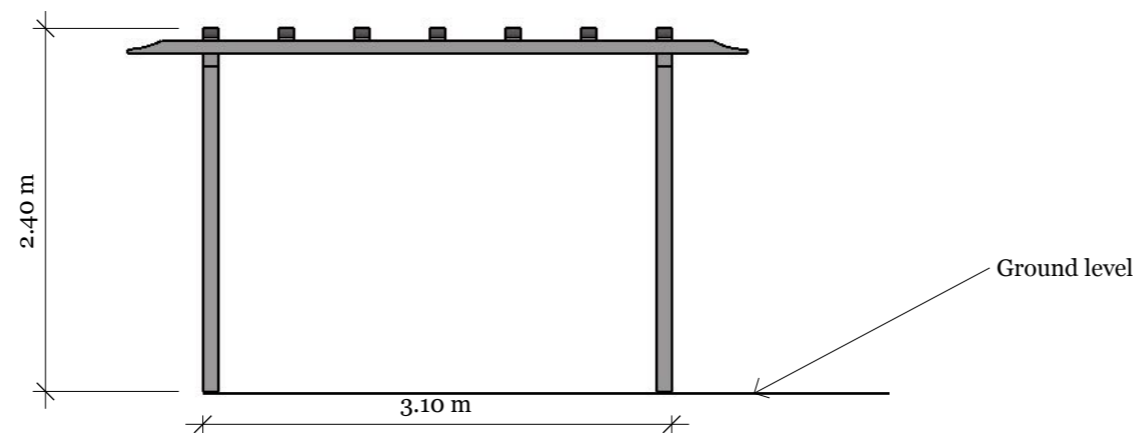


Pergola 1

Pergola 2

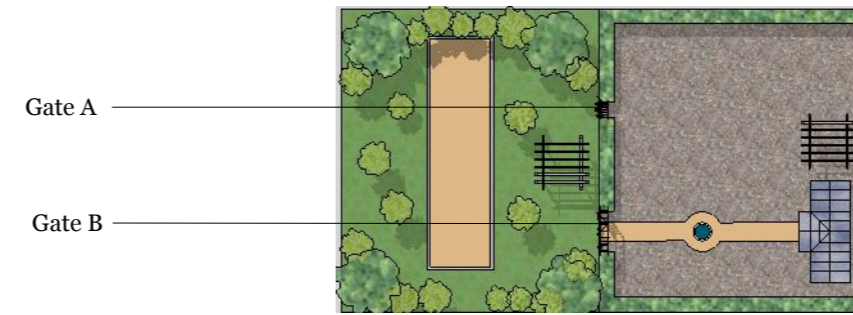


Front view elevation



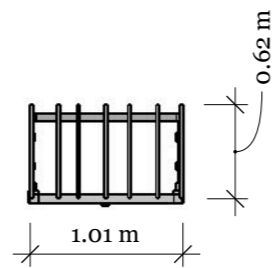
Scale 1:50 @ A3



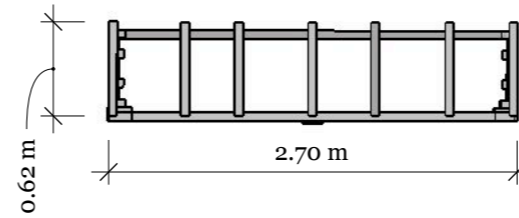


**Plan View**

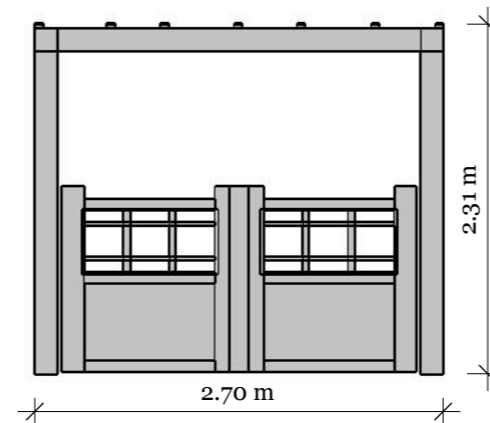
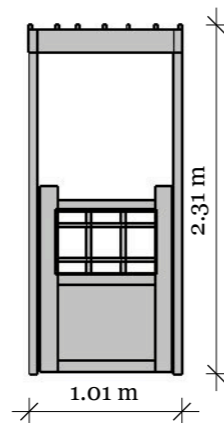
Gate A



Gate B



**Front View Elevation**



Scale 1:50 @ A3



**CLIENT**  
MacDonald  
Bowshots  
Carter's Hill  
Underriver  
Sevenoaks  
KENT TN15 0SD

**PROJECT**  
Kitchen garden

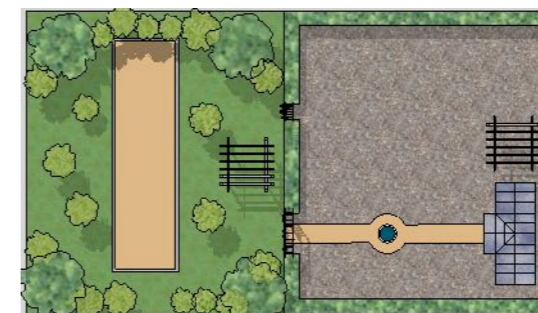
**DRAWN BY**  
BS

**SCALE:**  
1:50 @ A3

**DATE**  
25.09.23

**DESCRIPTION**  
Kitchen Garden Gates

House of Stewart Gardens  
119 Earlsbrook Road  
Redhill RH1 6HY  
Surrey



Garden wall to the rear of the greenhouse

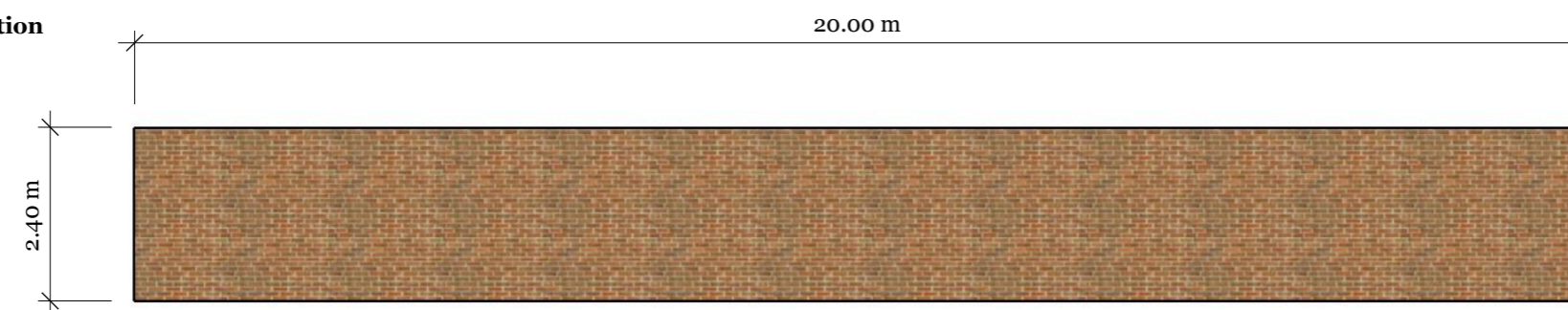
**CLIENT**  
MacDonald  
Bowshots  
Carter's Hill  
Underriver  
Sevenoaks  
KENT TN15 0SD

**PROJECT**  
Kitchen garden

**Plan view**



**Front elevation**



**DRAWN BY**  
BS

**SCALE:**  
1:100 @ A3

**DATE**  
25.09.23

**DESCRIPTION**  
Kitchen Garden Wall

Scale 1:100 @ A3



House of Stewart Gardens  
119 Earlsbrook Road  
Redhill RH1 6HY  
Surrey

CLIENT  
MacDonald  
Bowshots  
Carter's Hill  
Underriver  
Sevenoaks  
KENT TN15 0SD

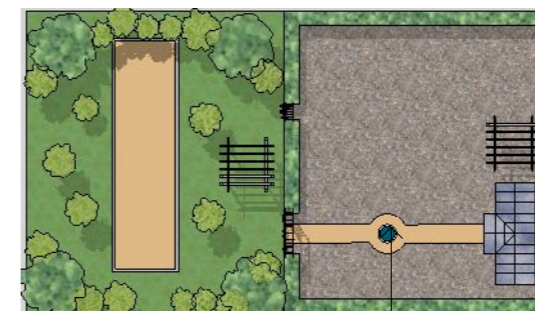
PROJECT  
Kitchen garden

DRAWN BY  
BS

SCALE:  
1:20 @ A3

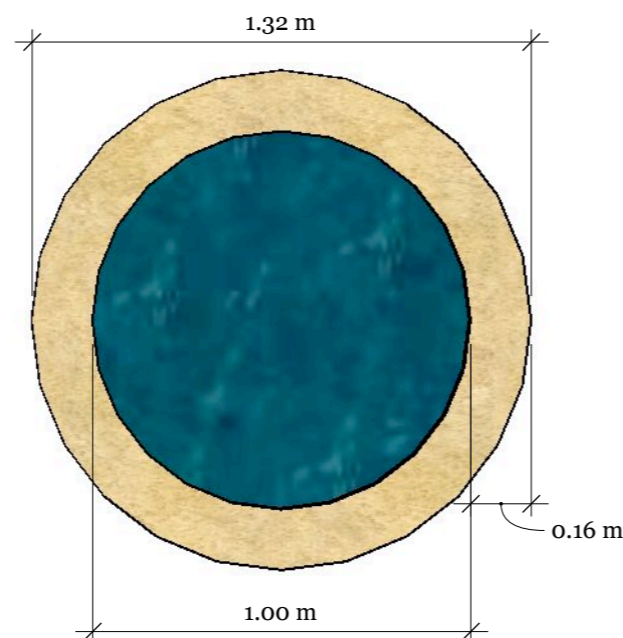
DATE  
25.09.23

DESCRIPTION  
Kitchen Garden Well

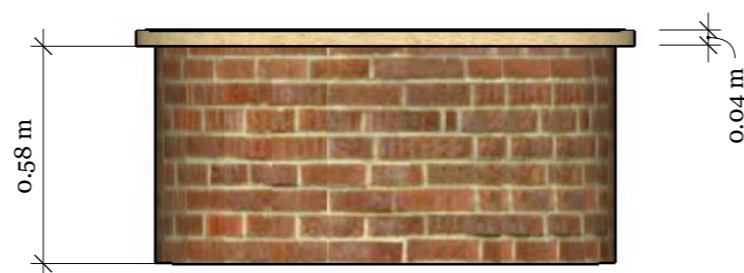


Well feature

Plan view



Front elevation



Scale 1:20 @ A3

