

Datasheet

Italo 1



Product Description

Boasting efficiency and high performance, Italo X was manufactured with advanced technology systems to create the best possible illumination for street, pathway and car park applications.

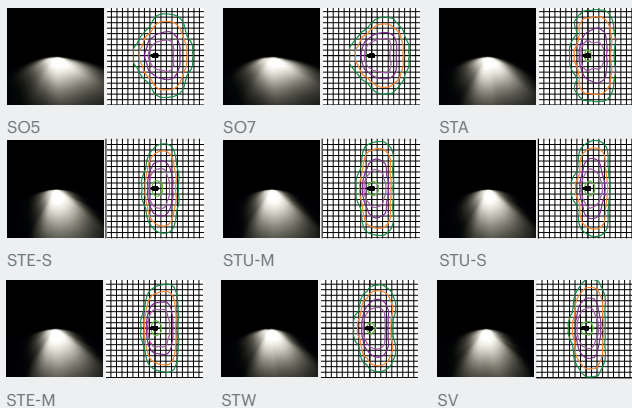
Specification Text

The Italo 1 shall be manufactured from high-pressure die-cast aluminium with a semi-gloss satin grey marine grade finish. It shall have Zhaga D4i Certification, with a power output ranging between 11.9W – 132.0W, with an efficacy from 132.8 – 163.8 lm/W. It shall produce 1,580 - 19,280 luminaire lumens. The Italo 1 shall utilise reflector-based optics to create a comfortable low glare illumination with distributions to suit pathways, roadways, carparks and asymmetric flood lighting optics to suit industrial applications. It shall have a fully programmable DALI driver. The luminaire shall come in 2700K, 3000K and 4000K and be IK09 and IP66 rated. It shall come with post top and side entry options.

Specification

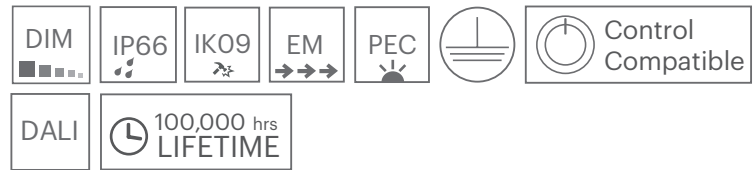
Weight: 7.0kg
Windage: 0.06 – 0.18m²
Material: Die-cast Aluminium
Paint finish: Semi-Gloss Satin Grey

Optics



Key Features

- 11.9W – 132.0W
- 1,580 – 19,280 Luminaire Lumens
- Efficacy up to 163.8lm/W
- 2700K, 3000K, 4000K, CRI > 70
- IP66, IK09
- Lifetime > 100,000hrs, **L94**
- Toolless Entry



Mounting Options

- 76mm Advised for Side Entry Fixing
- 76mm for Post Top as well as Side Entry

Other Options

- Photocell Options
- Emergency Options
- Paint Finish Options
- Colour Temperature Options
- Marine + Finish

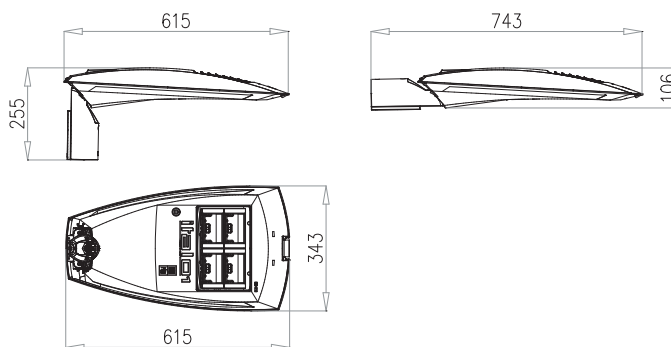
Code	Power	Luminaire Lumens	Drive Current	Optic	CCT(K)	IP	IK	Weight kg	Paint Finish	Driver Included
IT1-PEN-STE-M-4.060-1M1F	11.9	1,710	60	Suburban Street Optic (STE-M)	4000	IP66	IK09	7.0	Semi-Gloss Satin Grey	Y
IT1-PEN-STE-M-4.060-2M1F	23.0	3,450	60		4000	IP66	IK09	7.0	Semi-Gloss Satin Grey	Y
IT1-PEN-STE-M-4.060-3M1F	33.8	5,180	60		4000	IP66	IK09	7.0	Semi-Gloss Satin Grey	Y
IT1-PEN-STE-M-4.060-4M1F	43.4	6,960	60		4000	IP66	IK09	7.0	Semi-Gloss Satin Grey	Y
IT1-PEN-STE-M-4.180-1M1F	34.8	4,840	180		4000	IP66	IK09	7.0	Semi-Gloss Satin Grey	Y
IT1-PEN-STE-M-4.180-2M1F	67.7	9,590	180		4000	IP66	IK09	7.0	Semi-Gloss Satin Grey	Y
IT1-PEN-STE-M-4.180-3M1F	100.0	14,320	180		4000	IP66	IK09	7.0	Semi-Gloss Satin Grey	Y
IT1-PEN-STE-M-4.180-4M1F	132.0	18,850	180		4000	IP66	IK09	7.0	Semi-Gloss Satin Grey	Y
IT1-PEN-STU-M-4.060-1M1F	11.9	1,710	60	Urban Street Optic (STU-M)	4000	IP66	IK09	7.0	Semi-Gloss Satin Grey	Y
IT1-PEN-STU-M-4.060-2M1F	23.0	3,450	60		4000	IP66	IK09	7.0	Semi-Gloss Satin Grey	Y
IT1-PEN-STU-M-4.060-3M1F	33.8	5,180	60		4000	IP66	IK09	7.0	Semi-Gloss Satin Grey	Y
IT1-PEN-STU-M-4.060-4M1F	43.4	6,960	60		4000	IP66	IK09	7.0	Semi-Gloss Satin Grey	Y
IT1-PEN-STU-M-4.180-1M1F	34.8	4,840	180		4000	IP66	IK09	7.0	Semi-Gloss Satin Grey	Y
IT1-PEN-STU-M-4.180-2M1F	67.7	9,590	180		4000	IP66	IK09	7.0	Semi-Gloss Satin Grey	Y
IT1-PEN-STU-M-4.180-3M1F	100.0	14,320	180		4000	IP66	IK09	7.0	Semi-Gloss Satin Grey	Y
IT1-PEN-STU-M-4.180-4M1F	132.0	18,850	180		4000	IP66	IK09	7.0	Semi-Gloss Satin Grey	Y
IT1-PEN-STA-4.060-1M1F	11.9	1,710	60	Urban Street Optic (STA)	4000	IP66	IK09	7.0	Semi-Gloss Satin Grey	Y
IT1-PEN-STA-4.060-2M1F	23.0	3,450	60		4000	IP66	IK09	7.0	Semi-Gloss Satin Grey	Y
IT1-PEN-STA-4.060-3M1F	33.8	5,180	60		4000	IP66	IK09	7.0	Semi-Gloss Satin Grey	Y
IT1-PEN-STA-4.060-4M1F	43.4	6,960	60		4000	IP66	IK09	7.0	Semi-Gloss Satin Grey	Y
IT1-PEN-STA-4.180-1M1F	34.8	4,840	180		4000	IP66	IK09	7.0	Semi-Gloss Satin Grey	Y
IT1-PEN-STA-4.180-2M1F	67.7	9,590	180		4000	IP66	IK09	7.0	Semi-Gloss Satin Grey	Y
IT1-PEN-STA-4.180-3M1F	100.0	14,320	180		4000	IP66	IK09	7.0	Semi-Gloss Satin Grey	Y
IT1-PEN-STA-4.180-4M1F	132.0	18,850	180		4000	IP66	IK09	7.0	Semi-Gloss Satin Grey	Y
IT1-PEN-SV-4.060-1M1F	11.9	1,710	60	Urban Street Optic (SV)	4000	IP66	IK09	7.0	Semi-Gloss Satin Grey	Y
IT1-PEN-SV-4.060-2M1F	23.0	3,450	60		4000	IP66	IK09	7.0	Semi-Gloss Satin Grey	Y
IT1-PEN-SV-4.060-3M1F	33.8	5,180	60		4000	IP66	IK09	7.0	Semi-Gloss Satin Grey	Y
IT1-PEN-SV-4.060-4M1F	43.4	6,960	60		4000	IP66	IK09	7.0	Semi-Gloss Satin Grey	Y
IT1-PEN-SV-4.180-1M1F	34.8	4,840	180		4000	IP66	IK09	7.0	Semi-Gloss Satin Grey	Y
IT1-PEN-SV-4.180-2M1F	67.7	9,590	180		4000	IP66	IK09	7.0	Semi-Gloss Satin Grey	Y
IT1-PEN-SV-4.180-3M1F	100.0	14,320	180		4000	IP66	IK09	7.0	Semi-Gloss Satin Grey	Y
IT1-PEN-SV-4.180-4M1F	132.0	18,850	180		4000	IP66	IK09	7.0	Semi-Gloss Satin Grey	Y

Code	Power	Luminaire Lumens	Drive Current	Optic	CCT(K)	IP	IK	Weight kg	Paint Finish	Driver Included
IT1-PEN-SO5-4.060-1M1F	11.9	1,680	60	Suburban Street Optic (SO5)	4000	IP66	IK09	7.0	Semi-Gloss Satin Grey	Y
IT1-PEN-SO5-4.060-2M1F	23.0	3,370	60		4000	IP66	IK09	7.0	Semi-Gloss Satin Grey	Y
IT1-PEN-SO5-4.060-3M1F	33.8	5,060	60		4000	IP66	IK09	7.0	Semi-Gloss Satin Grey	Y
IT1-PEN-SO5-4.060-4M1F	43.4	6,800	60		4000	IP66	IK09	7.0	Semi-Gloss Satin Grey	Y
IT1-PEN-SO5-4.180-1M1F	34.8	4,730	180		4000	IP66	IK09	7.0	Semi-Gloss Satin Grey	Y
IT1-PEN-SO5-4.180-2M1F	67.7	9,380	180		4000	IP66	IK09	7.0	Semi-Gloss Satin Grey	Y
IT1-PEN-SO5-4.180-3M1F	100.0	14,000	180		4000	IP66	IK09	7.0	Semi-Gloss Satin Grey	Y
IT1-PEN-SO5-4.180-4M1F	132.0	18,430	180		4000	IP66	IK09	7.0	Semi-Gloss Satin Grey	Y
IT1-PEN-SO7-4.060-1M1F	11.9	1,680	60	Suburban Street Optic (SO7)	4000	IP66	IK09	7.0	Semi-Gloss Satin Grey	Y
IT1-PEN-SO7-4.060-2M1F	23.0	3,370	60		4000	IP66	IK09	7.0	Semi-Gloss Satin Grey	Y
IT1-PEN-SO7-4.060-3M1F	33.8	5,060	60		4000	IP66	IK09	7.0	Semi-Gloss Satin Grey	Y
IT1-PEN-SO7-4.060-4M1F	43.4	6,800	60		4000	IP66	IK09	7.0	Semi-Gloss Satin Grey	Y
IT1-PEN-SO7-4.180-1M1F	34.8	4,730	180		4000	IP66	IK09	7.0	Semi-Gloss Satin Grey	Y
IT1-PEN-SO7-4.180-2M1F	67.7	9,380	180		4000	IP66	IK09	7.0	Semi-Gloss Satin Grey	Y
IT1-PEN-SO7-4.180-3M1F	100.0	14,000	180		4000	IP66	IK09	7.0	Semi-Gloss Satin Grey	Y
IT1-PEN-SO7-4.180-4M1F	132.0	18,430	180		4000	IP66	IK09	7.0	Semi-Gloss Satin Grey	Y
IT1-PEN-STE-S-4.060-1M1F	11.9	1,680	60	Suburban Street Optic (STE-S)	4000	IP66	IK09	7.0	Semi-Gloss Satin Grey	Y
IT1-PEN-STE-S-4.060-2M1F	23.0	3,370	60		4000	IP66	IK09	7.0	Semi-Gloss Satin Grey	Y
IT1-PEN-STE-S-4.060-3M1F	33.8	5,060	60		4000	IP66	IK09	7.0	Semi-Gloss Satin Grey	Y
IT1-PEN-STE-S-4.060-4M1F	43.4	6,800	60		4000	IP66	IK09	7.0	Semi-Gloss Satin Grey	Y
IT1-PEN-STE-S-4.180-1M1F	34.8	4,730	180		4000	IP66	IK09	7.0	Semi-Gloss Satin Grey	Y
IT1-PEN-STE-S-4.180-2M1F	67.7	9,380	180		4000	IP66	IK09	7.0	Semi-Gloss Satin Grey	Y
IT1-PEN-STE-S-4.180-3M1F	100.0	14,000	180		4000	IP66	IK09	7.0	Semi-Gloss Satin Grey	Y
IT1-PEN-STE-S-4.180-4M1F	132.0	18,430	180		4000	IP66	IK09	7.0	Semi-Gloss Satin Grey	Y
IT1-PEN-STU-S-4.060-1M1F	11.9	1,680	60	Urban Street Optic (STU-S)	4000	IP66	IK09	7.0	Semi-Gloss Satin Grey	Y
IT1-PEN-STU-S-4.060-2M1F	23.0	3,370	60		4000	IP66	IK09	7.0	Semi-Gloss Satin Grey	Y
IT1-PEN-STU-S-4.060-3M1F	33.8	5,060	60		4000	IP66	IK09	7.0	Semi-Gloss Satin Grey	Y
IT1-PEN-STU-S-4.060-4M1F	43.4	6,800	60		4000	IP66	IK09	7.0	Semi-Gloss Satin Grey	Y
IT1-PEN-STU-S-4.180-1M1F	34.8	4,730	180		4000	IP66	IK09	7.0	Semi-Gloss Satin Grey	Y
IT1-PEN-STU-S-4.180-2M1F	67.7	9,380	180		4000	IP66	IK09	7.0	Semi-Gloss Satin Grey	Y
IT1-PEN-STU-S-4.180-3M1F	100.0	14,000	180		4000	IP66	IK09	7.0	Semi-Gloss Satin Grey	Y
IT1-PEN-STU-S-4.180-4M1F	132.0	18,430	180		4000	IP66	IK09	7.0	Semi-Gloss Satin Grey	Y

Code	Power	Luminaire Lumens	Drive Current	Optic	CCT(K)	IP	IK	Weight kg	Paint Finish	Driver Included
IT1X-STW-4.060-1M1F	11.9	1760.0	60	Suburban Street Optic (STW)	4000	IP66	IK09	7.0	Semi-Gloss Satin Grey	Y
IT1-PEN-STW-4.060-1M1F	11.9	1,760	60		4000	IP66	IK09	7.0	Semi-Gloss Satin Grey	Y
IT1-PEN-STW-4.060-2M1F	23.0	3,520	60		4000	IP66	IK09	7.0	Semi-Gloss Satin Grey	Y
IT1-PEN-STW-4.060-3M1F	33.8	5,280	60		4000	IP66	IK09	7.0	Semi-Gloss Satin Grey	Y
IT1-PEN-STW-4.060-4M1F	43.4	7,110	60		4000	IP66	IK09	7.0	Semi-Gloss Satin Grey	Y
IT1-PEN-STW-4.180-1M1F	34.8	4,950	180		4000	IP66	IK09	7.0	Semi-Gloss Satin Grey	Y
IT1-PEN-STW-4.180-2M1F	67.7	9,800	180		4000	IP66	IK09	7.0	Semi-Gloss Satin Grey	Y
IT1-PEN-STW-4.180-3M1F	100.0	14,640	180		4000	IP66	IK09	7.0	Semi-Gloss Satin Grey	Y
IT1-PEN-STW-4.180-4M1F	132.0	19,280	180		4000	IP66	IK09	7.0	Semi-Gloss Satin Grey	Y



Dimensions



All measurements in mm