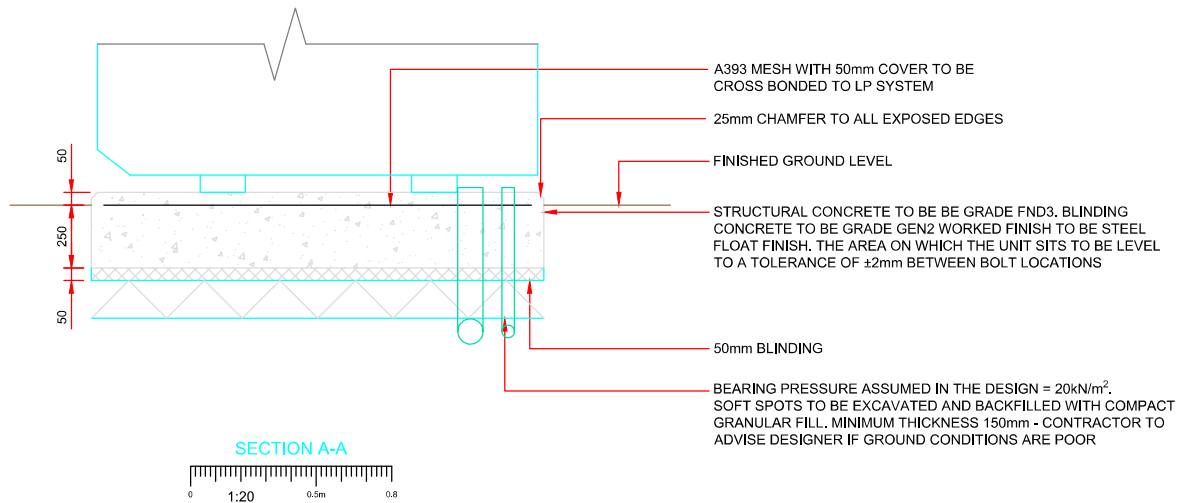


QIS10 GENERATOR BASE DETAIL - PLAN



SECTION A-A



NOTES:

- ALL DIMENSIONS IN MM UNLESS OTHERWISE NOTED.

Master:	MBNL EE / HDG:	Project:	EE Resilience	Purpose of Issue:	Detail Design	Issue:	B
M002		Date:	09.08.2023	Revision / Upgrade Description:	Drg 002 Maps and dig 003 table amended		
Drawn:	PSH	Checked:	AB	Approved:	RL		

Master:	MBNL EE / HDG:	Project:	EE Resilience	Purpose of Issue:	Detail Design	Issue:	A
M001		Date:	03.03.2023	Revision / Upgrade Description:	First Issue		
Drawn:	MW	Checked:	AB	Approved:	RL		

	Hutchison 3G UK Limited One New Street, 20 Central Square Market Street, B2 1BN Tel: 01202 961100 Fax: 01202 705000		Hatfield Business Park Hatfield Hertfordshire AL10 9BW Tel: 01707 315000 Fax: 01707 319001
--	---	--	---

**MBNL** Mobile Broadband Network Limited  
Sixth Floor, Thames Tower, Station Road, Reading, RG1 1LX

**Design Consultant & Principal Contractor / Principal Contractor:**

**WHP Telecoms**  
Castleview House  
Calder Island Way  
Wakefield, WF2 7AW  
Tel: 01925 424100  
e-mail: info@whptelecoms.com

Site Name: **SHIP CRAG**

Site ID: **1206413**

Address: **DEBDON FARM, ROTHBURY, MORPETH, NORTHUMBERLAND, NE65 7YG**

Title: **500 GENERATOR BASE DETAILS**

Project: **EE SITE RESILIENCE**

Purpose of Issue: **DETAILED DESIGN**

EE Cell ID:	MBNL Cell ID:	3UK Cell ID:
19026	ALK022	N/A

Master Drawing No:	Issue:
1206413_ALK022_19026_NA_M002	B

100mm  
50mm  
10mm