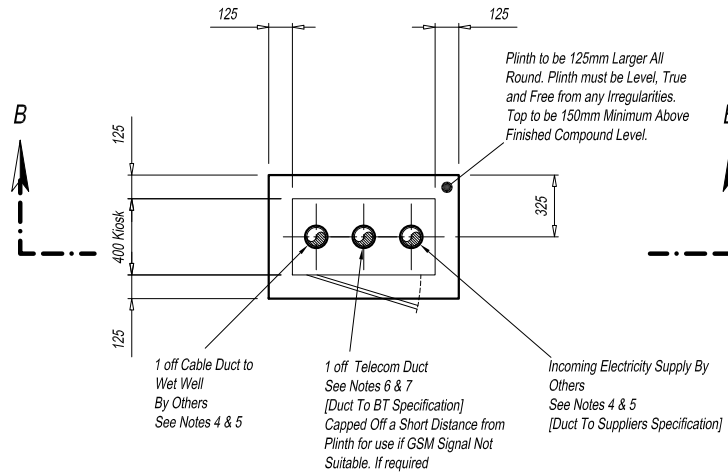
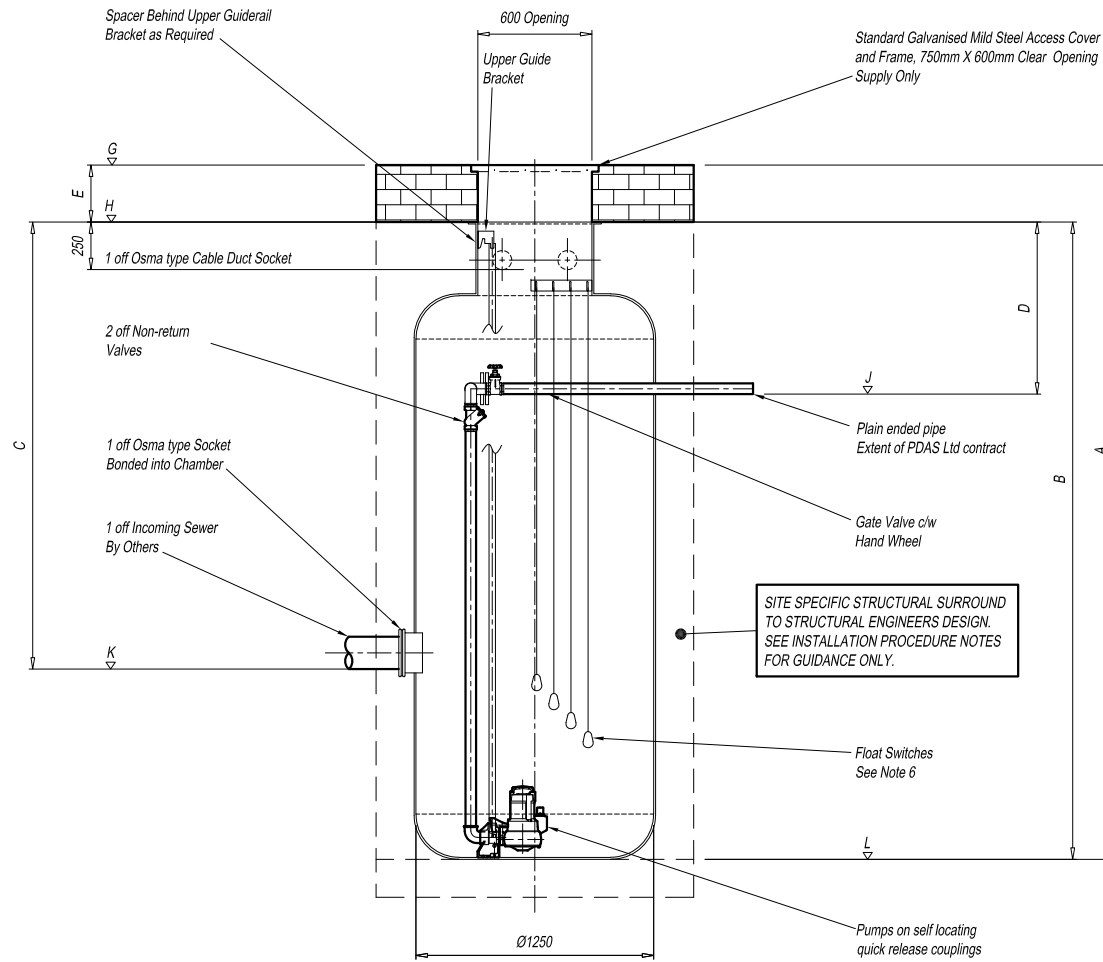


VIEW ON SECTION B - B

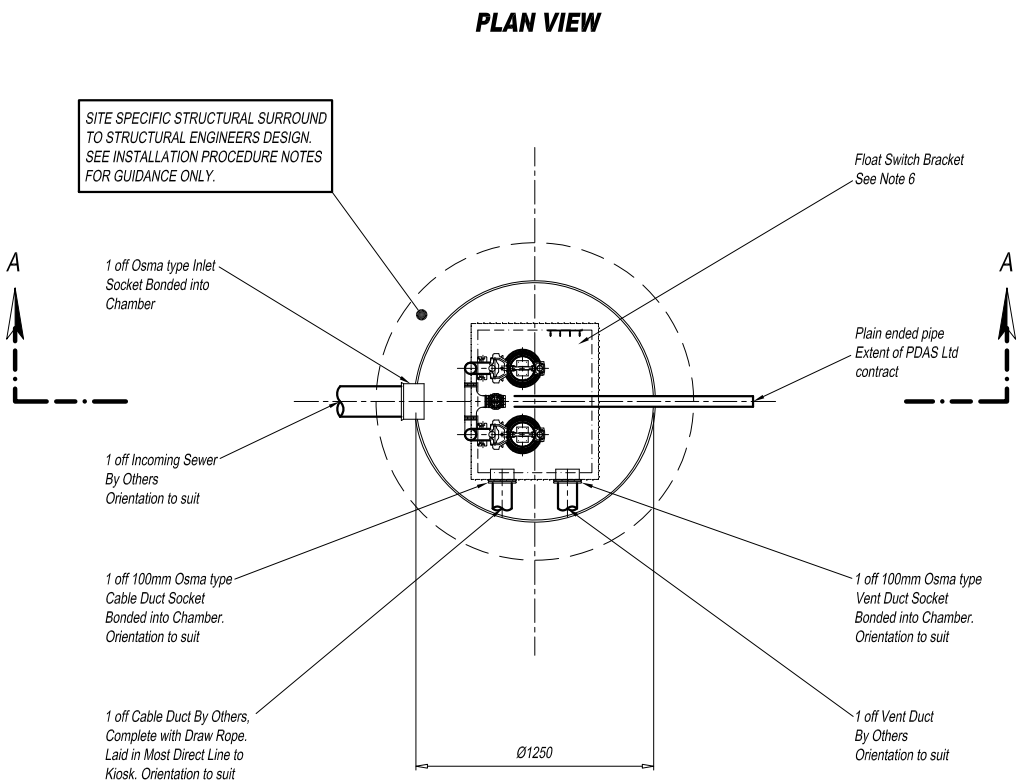


SIZE OPTIONS		
SIZE	WIDE	HIGH
F1	750mm	1250mm
F3	1000mm	1500mm

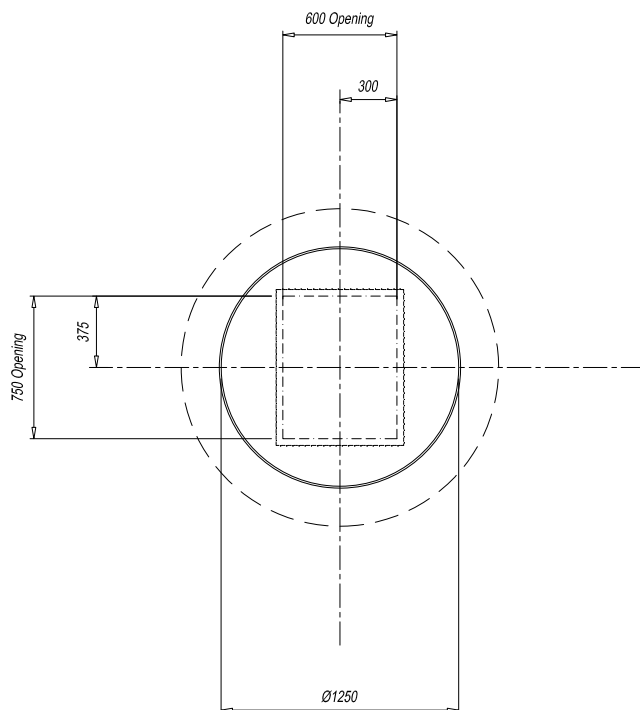
THE KIOSK SELECTED FOR THIS CONTRACT IS A SIZE



VIEW ON SECTION A - A



PLAN VIEW



VIEW ON COVER SLAB

DRAWING NOT TO BE USED FOR CONSTRUCTION!
EXACT TANK SIZE AND PIPEWORK SPECIFICATION TO BE CONFIRMED UPON DESIGN

OPERATING LEVELS/ MEASUREMENTS

A - Depth to Base	:
B - Depth of Tank	:
C - Depth to Inlet of Sewer	:
D - Depth to Rising Main	:
E - Neck Depth	:
G - Cover Level	:
H - Top of Tank Level	:
J - Rising Main Invert	:
K - Lowest Sewer Invert	:
L - Invert of Chamber Base	:

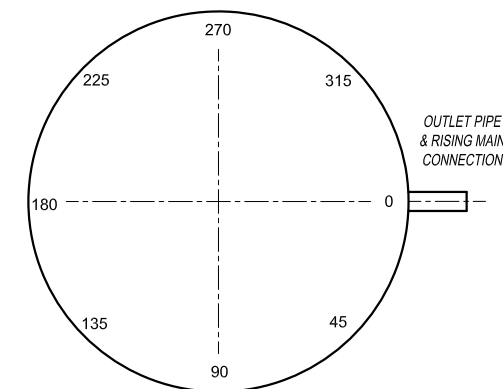
PUMP CHAMBER CONNECTION TABLE

CONNECTIONS	INVERT	DIAMETER	MATERIAL	DEGREES
CABLE DUCT		100		
TANK VENT		100		
INVERT				

ADDITIONAL CONNECTIONS IF REQUIRED

K1				
K2				
K3				
K4				

CHAMBER CONNECTION RADIAL CHART



NOTES

- DO NOT SCALE.
- UNLESS OTHERWISE STATED ALL DIMENSIONS ARE IN MILLIMETRES AND ALL INVERTS IN METRES AOD.
- ALL CIVIL WORKS IS THE RESPONSIBILITY OF THE DEVELOPER OR CONTRACTOR INCLUDING FIXING OF STEELWORK SUCH AS ACCESS COVERS AND PENSTOCKS ETC. INSTALLATION OF CABLE DUCTS AND MAKING GOOD AROUND PIPES AFTER INSTALLATION.
- UNLESS OTHERWISE STATED, ALL DUCTS ARE TO BE Ø100MM AND BE COMPLETE WITH DRAW ROPES. SERVICE DUCTS TO BE TO THE UTILITY SUPPLIERS SPECIFICATION.
- ALL DUCTS LAID IN THE MOST DIRECT ROUTE TO SUIT THE SERVICE BEING CARRIED AVOIDING ANY ACUTE CHANGES OF DIRECTION.
- LEVEL CONTROL POSITIONS ARE SHOWN DIAGRAMMATICALLY ONLY. THEY WILL BE POSITIONED AWAY FROM OBSTRUCTIONS AND BE READILY ADJUSTABLE AFTER INSTALLATION.

REV	DATE	DESCRIPTION	DR'n	CHK'd	APR'l
TEMPLATE					
		PDAS		DESIGN	
		INSTALL		PROACTIVE	
TOTAL WATER EXPERTISE					
BUILDING 4.6, HITECH, FRIMLEY 4 BUSINESS PARK, FRIMLEY, CAMBERLEY, SURREY, GU16 7SG			OFFICE TEL No. (01483) 930520		WEBSITE WWW.PDASLTD.CO.UK
PROJECT Ø1250mm					
PACKAGE PUMP STATION					
TITLE PUMP STATION GENERAL ARRANGEMENT					
CLIENT -					
SCALE AT A1 1:20		SCALE AT A3 1:40			
QUOTE NUMBER -		APR'l N.L.		DATE 21-01-2020	
PROJECT REF. -		CHK'd E.W.		DATE 21-01-2020	
DRAWING NUMBER -		- 001		DR'n N.K. DATE 21-01-2020	