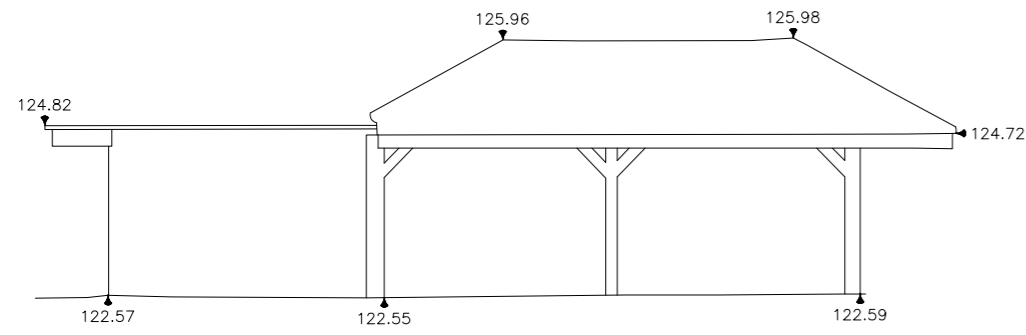


Notes:  
 Do Not Scale. Use only figured dimensions.  
 All dimensions to be checked on site prior to construction.  
 Any discrepancies to be notified to the architect.  
 All Copyright Reserved to **Haskins Designs Ltd.**

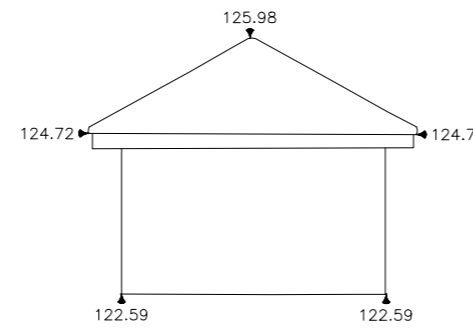


Building 2 Plans



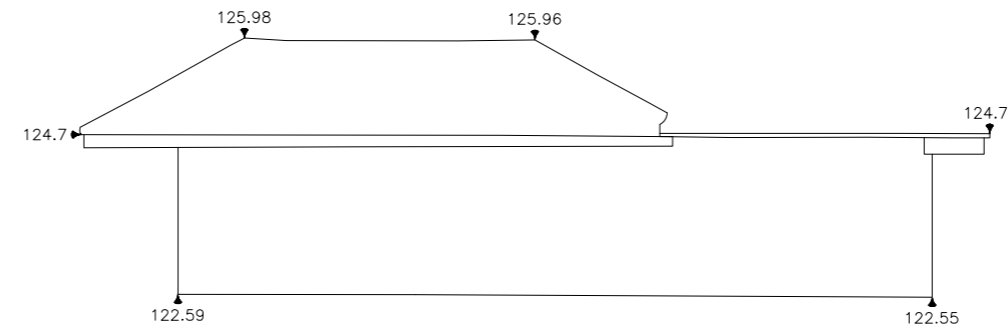
Building 2 – Elevation 1

Datum 119.00mts



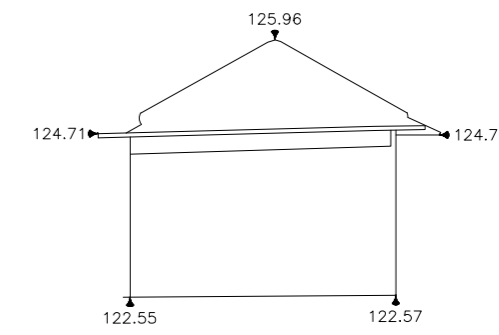
Building 2 – Elevation 2

Datum 119.00mts



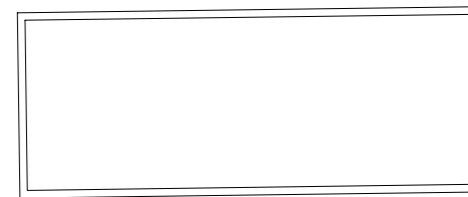
Building 2 – Elevation 3

Datum 119.00mts

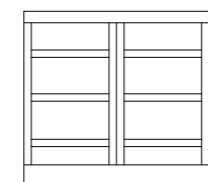


Building 2 – Elevation 4

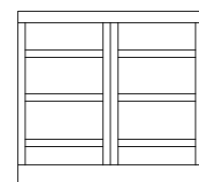
Datum 119.00mts



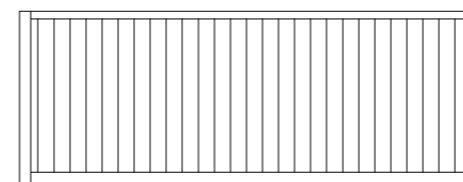
Container Plan



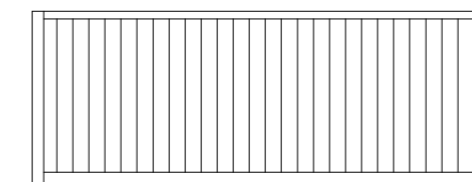
East Elevation



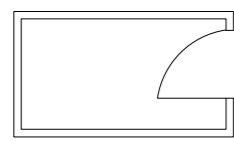
West Elevation



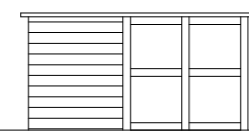
South Elevation



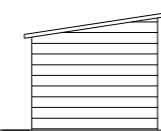
North Elevation



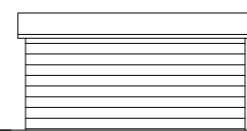
Shed Plan



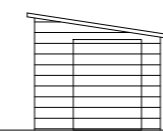
East Elevation



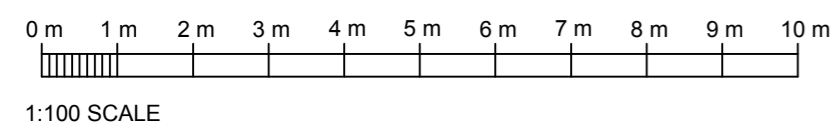
South Elevation



West Elevation



North Elevation



**PLANNING**

Client  
Mr D. Cheriton

Project  
Hillside  
Knatts Valley Road  
West Kingsdown  
TN15 6XX

**HASKINS**  
DESIGNS LTD.  
The Civic Centre, St Mary's Road, Swanley, Kent, BR8 7BU.  
Phone: 01322 479561 Mobile: 07802 182202  
info@haskinsdesigns.co.uk Website: haskinsdesigns.co.uk

Title  
Existing Plans & Elevations  
For Buildings 2, shed &  
Container

Project No.

**226**

Drawing No.  
**226-EX-03**

Scale  
1:100 @ A2

Revision

Drawn

RL

Check

JH

Date

October 2022

Rev	Date	Comments	Rev	Date	Comments