

Front - Window information

1. Proposed window – gallery of features
2. Energy rating
3. Glass rating
4. BSC - Bluesky Certified Manufacture
5. Section drawings of frame and sash components
6. Paint specification
7. About the window manufacturer - Bereco
Environment and sustainability

Bereco timber spring sash window – gallery of images



OUTSIDE



INSIDE



4-coat finishing process



Traditional construction



Window bars



Horn detail to sash



Traditional ironmongery



Child safety features

Bereco timber sash windows – U Value

Choose Your Glazing

The specification of glass can have a dramatic effect on the performance of windows and doors, home comfort and heating costs. Our windows and doors incorporate double glazed units utilising a Softcoat Low-E coating as standard which provides excellent u values.



24MM DOUBLE GLAZING

Contemporary | Traditional

Argon filled as standard offering a centre pane Ug value as low as 1.0 W/m²K and overall Uw values of 1.2 W/m²K



35MM TRIPLE GLAZING

Contemporary | Traditional

Argon filled as standard, with Krypton filled units available offering centre pane Ug values as low as 0.5 W/m²K and overall Uw values of 0.8 W/m²K (Krypton).



24MM & 35MM ACOUSTIC DOUBLE GLAZING

Contemporary | Traditional

Reduce noise levels in the home without compromising on style. 24mm acoustic glazing with overall window ratings up to 38dB and 35mm up to 42dB.



14MM SLIMLINE DOUBLE GLAZING

Heritage

This unrivalled krypton filled glazing unit mimics the appearance of single glazing whilst offering improved thermal performance with 8mm warm edge spacers as standard and centre pane Ug values of 1.2 W/m²K and overall Uw value of 1.3 W/m²K.



4MM SINGLE GLAZING

Heritage

We offer 4mm single glazed units, perfect for homes under strict conservation requirements.

DIAMANT GLASS

Extra clear Diamant glass with low solar gain is available on request.

SPACER BARS

Spacer bars can be seen around the perimeter of the glazing. Choose from a wide range of colour options. Warm edge spacers available in white, black, brown and grey can reduce ug values to as low as 1.0 W/m²K which will significantly reduce home heating costs.



Silver



White



Black



Brown



Grey



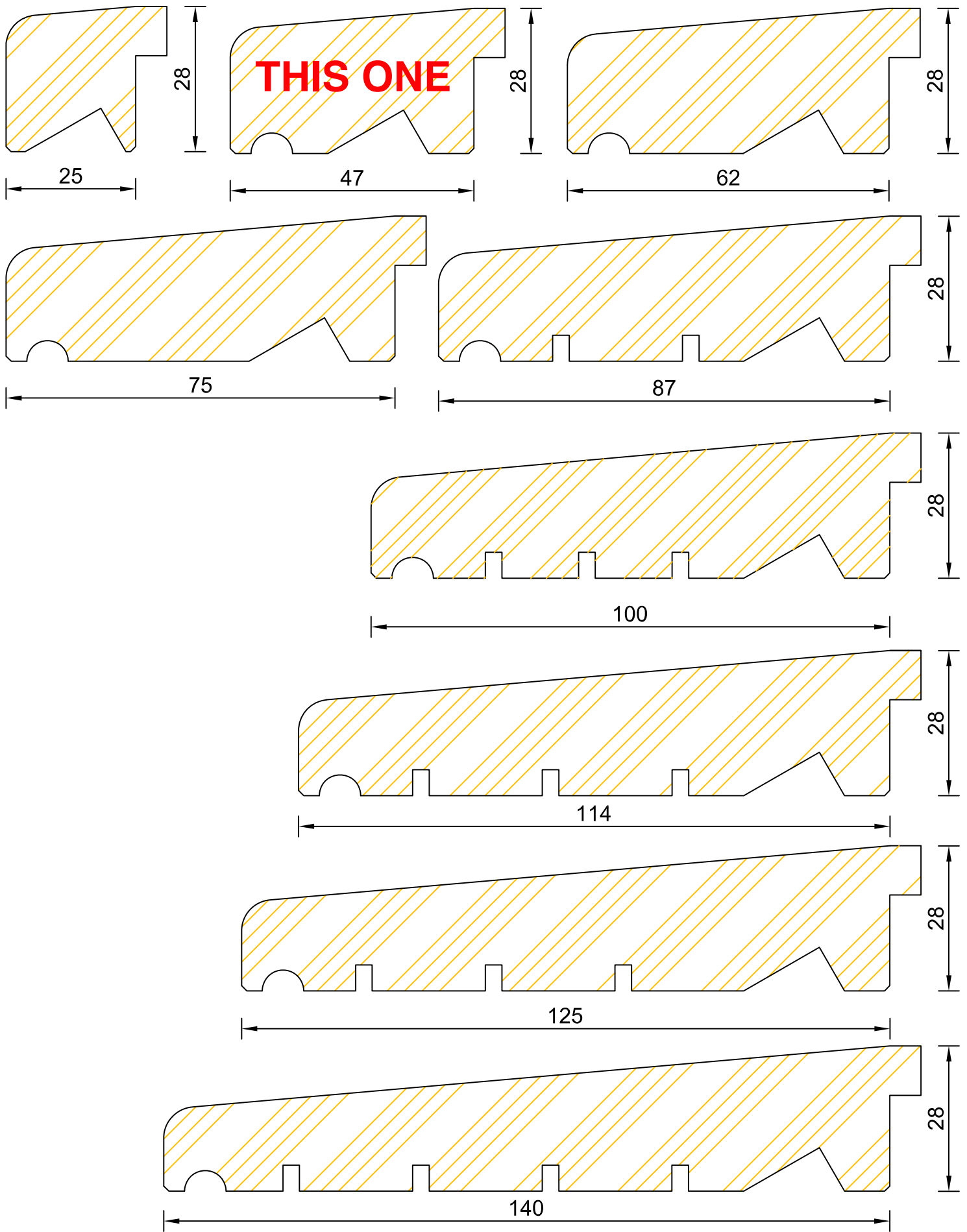
Traditional Lipped Casement | RAL 9016 Traffic White
6mm Lead Antique Black



Listed property approved &
UK building regulation compliant



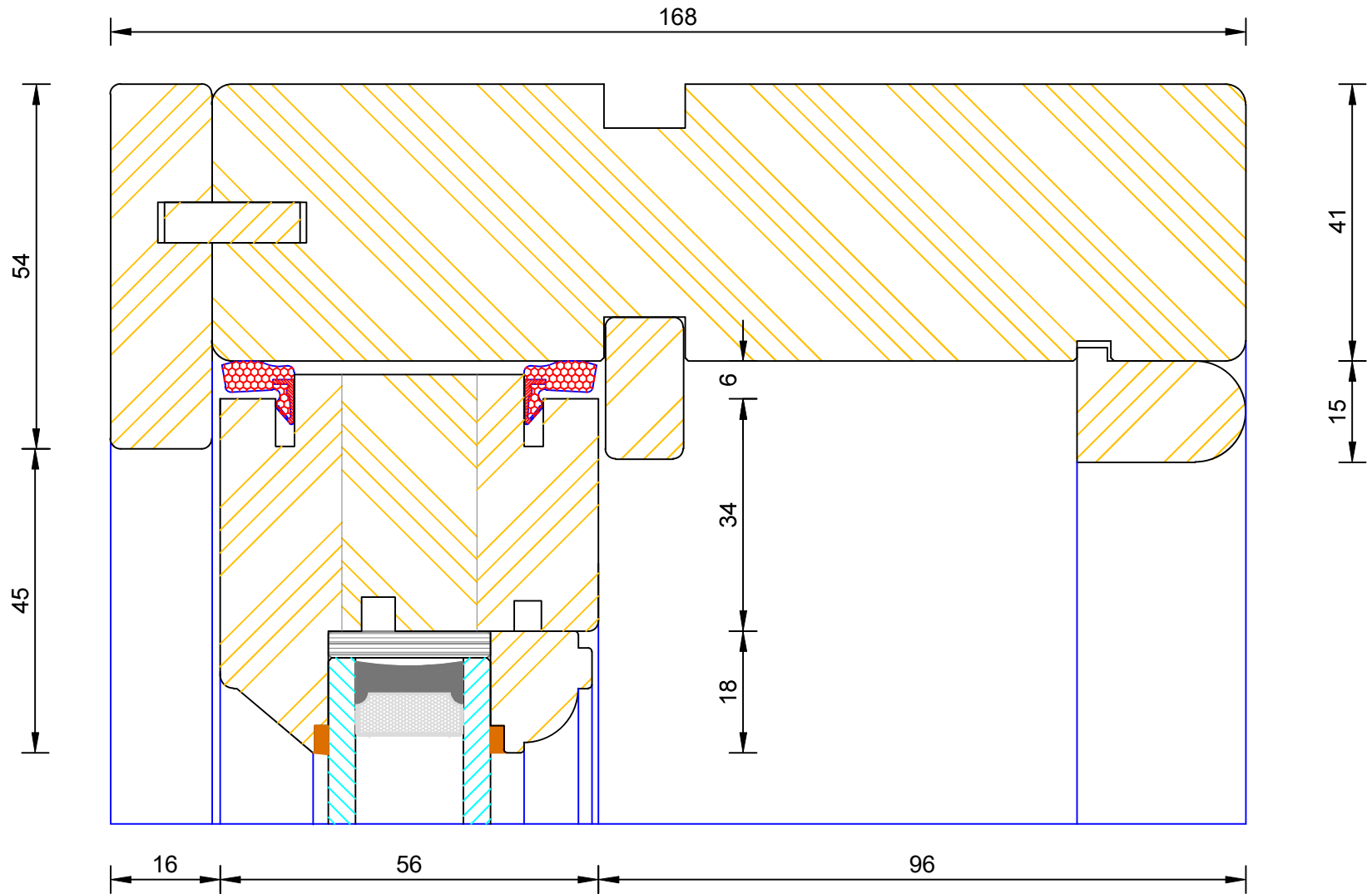
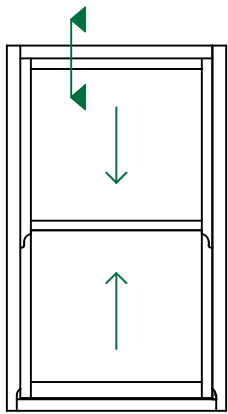
Made from only FSC 100%
certified engineered defect
free timber



Traditional Sliding Sash Spiral Balance
Cill Extension Options

DIMENSIONS	PLOT SIZE	SCALE	DATE	REV	DWG NO.
MM	A4	1:1	15.10.2019	B	2001

Please consider the environment before printing



Note: Detail Used
 1/ Windows with a curved head
 2/ Straight head without vent specified to all windows

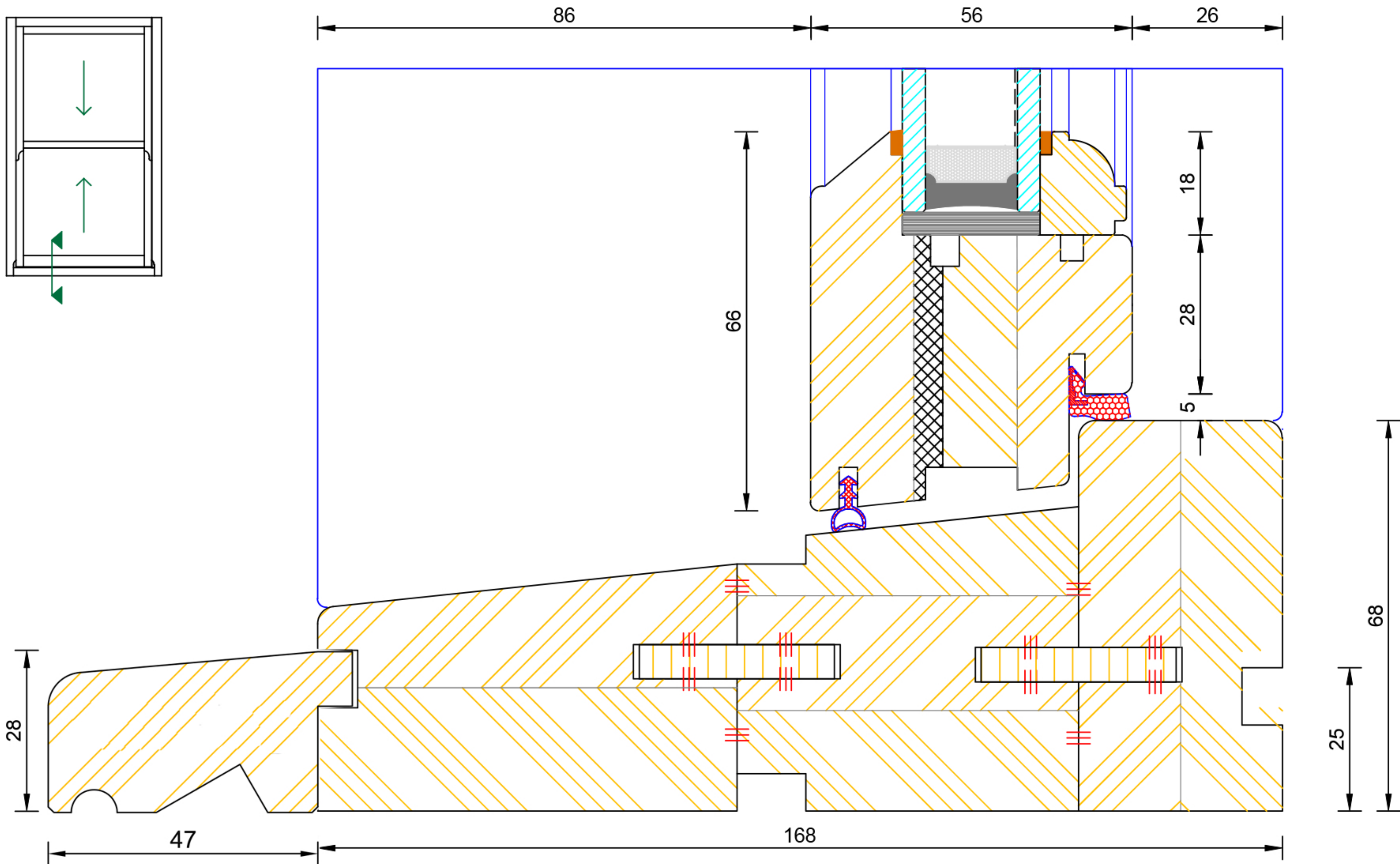
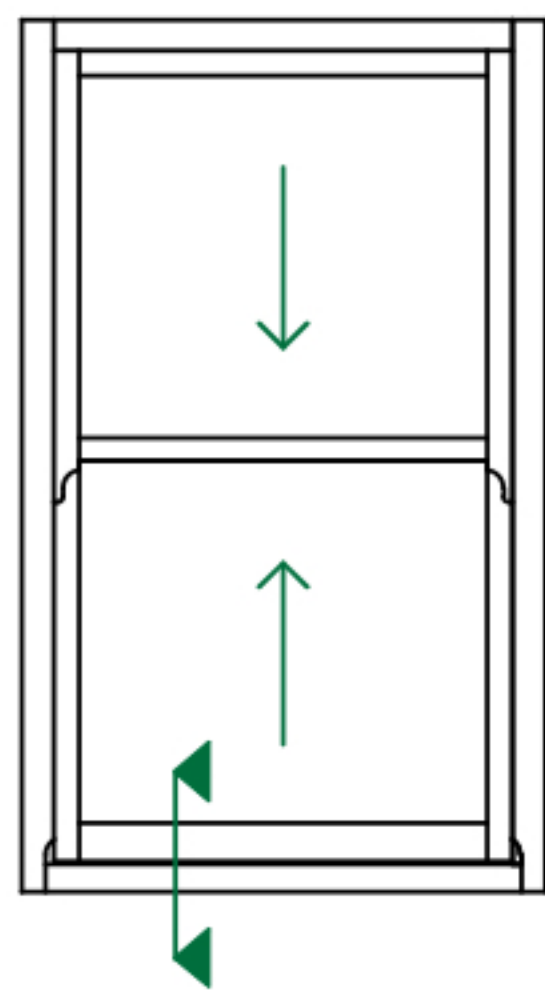
If order has a mixture with and without vents then all windows will have vent detail profile. See drawing number 2003.1 & 2003.3



Traditional Sliding Sash Spiral Balance Frame & Sash Head

DIMENSIONS	PLOT SIZE	SCALE	DATE	REV	DWG NO.
MM	A4	1:1	13.01.2011	A	2003.2

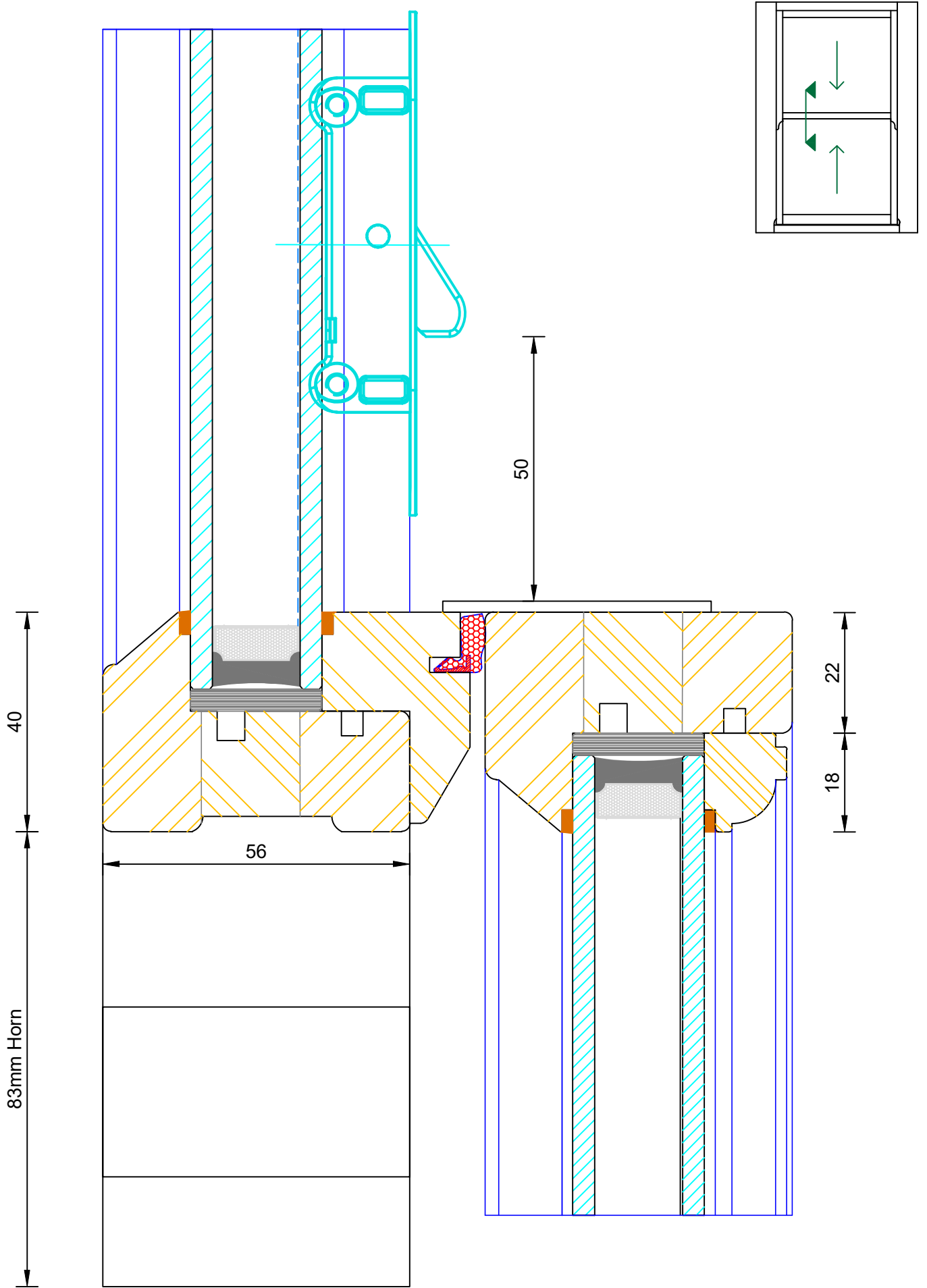
Please consider the environment before printing



**Traditional Sliding Sash Spiral Balance
Frame & Sash Cill**

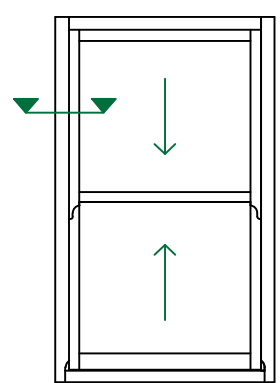
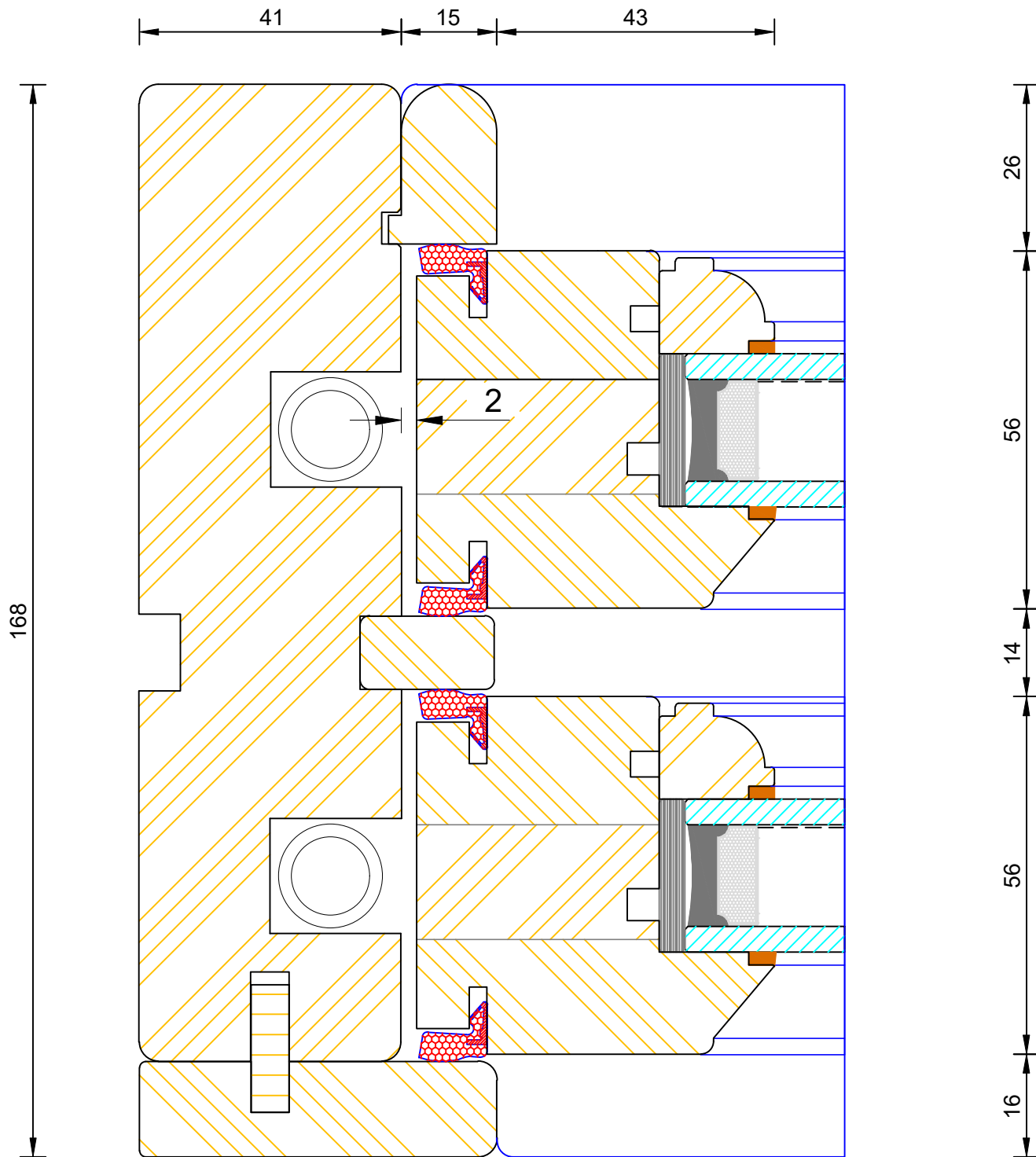
DIMENSIONS	PLOT SIZE	SCALE	DATE	REV	DWG NO.
MM	A4	1:1	13.01.2011	A	2004
Please consider the environment before printing					

CILL EXTENSION - available options:
 25mm (193mm o/a) / 47mm (215mm o/a) /
 62mm (230mm o/a) / 87mm (255mm o/a) /
 100mm (268mm o/a) / 114mm (282mm o/a) /
 140mm (308mm o/a)



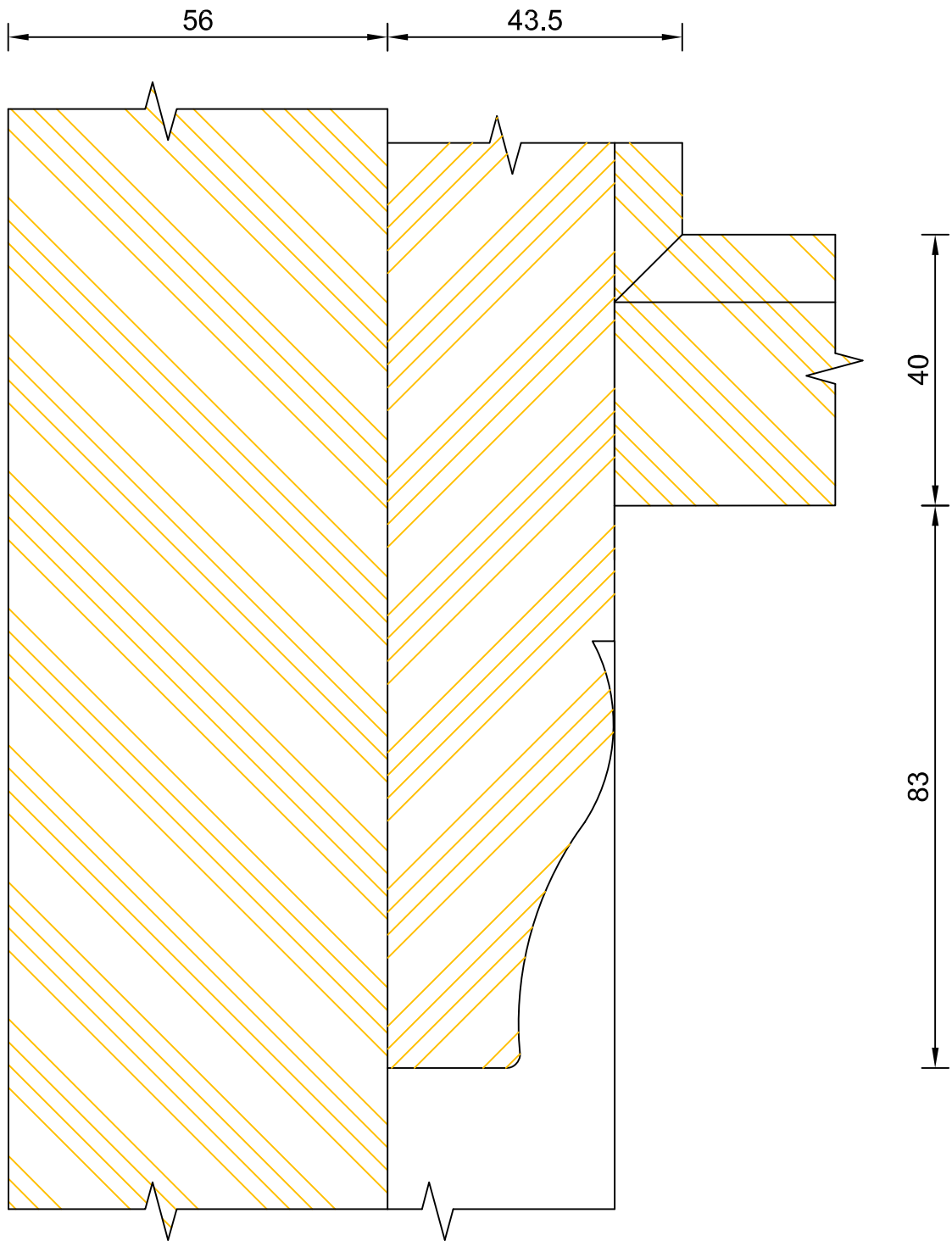
**Traditional Sliding Sash Spiral Balance
Meeting Rail - Angel Lock**

DIMENSIONS	PLOT SIZE	SCALE	DATE	REV	DWG NO.
MM	A4	1:1	10.03.2011	A	2005.1
Please consider the environment before printing					

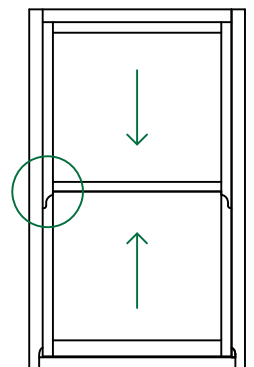


**Traditional Sliding Sash Spiral Balance
Frame & Sash Jamb (Standard Inline)**

DIMENSIONS	PLOT SIZE	SCALE	DATE	REV	DWG NO.
MM	A4	1:1	13.01.2011	A	2006.1
Please consider the environment before printing					



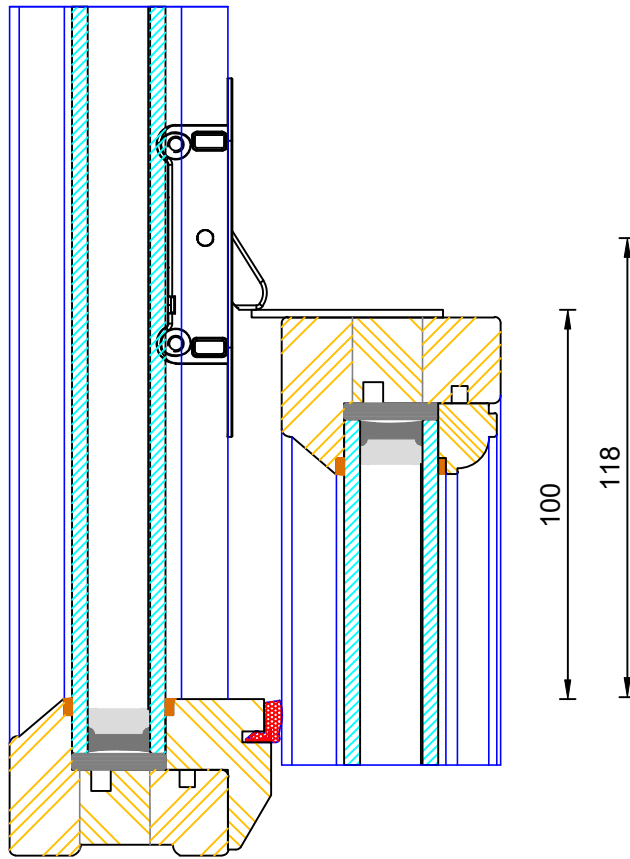
Horn Design: BELSAY
 Top Sash Horn Viewed From Outside



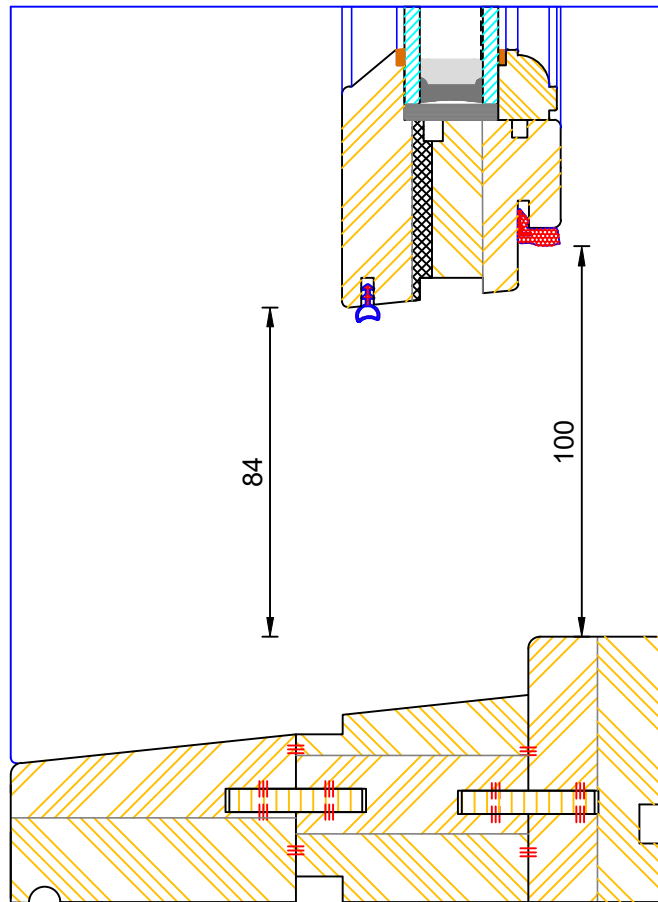
Traditional Sliding Sash Spiral Balance
 Horns to Top Sash Only - Type B (Std Design)

DIMENSIONS	PLOT SIZE	SCALE	DATE	REV	DWG NO.
MM	A4	1:1	10.04.2018	A	2008.1

Please consider the environment before printing



ANGEL LOCK



BERECO PAINT & STAIN FACTORY APPLIED COATING SPECIFICATION

Specification

Manufacturer

Bereco

www.bereco.co.uk

01709 838188

Product Ref

Teknos water borne factory applied coating system

Surfaces

Factory finished by manufacturer

Coatings

Coating	Painted - Softwood	Painted - Hardwood	Stained - Softwood	Stained - Hardwood
Preservative	GORI 356	GORI 356	GORI 356	GORI 356
Basecoat	AQUAPRIMER 5200-01	AQUAPRIMER 5200-01	AQUAPRIMER 2900	AQUAPRIMER 2900
Intermediate Coat	ANTISTAIN AQUA 5200-00	ANTISTAIN AQUA 2901-52	TEKNOTOP 2981-01	ANTISTAIN AQUA 2901-62
Top Coat	AQUATOP 2600	AQUATOP 2600	AQUATOP 2600	AQUATOP 2600

Colours

Standard Paint Colours	Exclusive Paint Colours	Standard Stain Colours	
Any RAL Colour	Parlor	Light Pine	Oak
Any BS Colour	Linen	Pine	Rich Mahogany
Any NCS Colour	Parchment	Antique Pine	Walnut
Farrow & Ball Match	French Green	Afromosia	Mahogany
	London Dust	Chestnut	Teak
	Smoke	Light Chestnut	Cherry
		Light Mahogany	Dark Oak
		Light Cherry	Rosewood



Bereco, Unit 5, Aspen Court,
Centurion Business Park, Rotherham,
South Yorkshire, S60 1FB.

+44 (0) 1709 838188
www.bereco.co.uk
enquiries@bereco.co.uk

FACT SHEET FOR GORI 356

Treated Items

**This item has been treated with wood preservative:
(Regulated by the Biocides Regulation 528/2012, PT8)**

GORI 356

a) Items treated with GORI 356 contain:

Biocides approved for product type 8

b) Items treated with GORI 356 are protected against:

Wood destroying or discolouring fungi

c) Items treated with GORI 356 contain the following biocides:

Propiconazole, Tebuconazole, IPBC

**d) Items treated with GORI 356 contain the following
nanomaterials:**

N/A

The wood preservative GORI 356 is produced by:

Teknos A/S
Industrivej 19
DK-6580 Vamdrup
Tel.: +45 76 93 94 00

e) Special precautions for items treated with GORI 356:

In order to protect aquatic organisms, do not use the treated wood near the aquatic environment (rivers, streams, lakes etc.). The surface of the wood must be coated with e.g. varnish or paint. Coating of the surface must be carried out at regular intervals.

To : **Bereco Ltd.**
Unit 5 Aspen Court
Centurion Business Park
Rotherham
South Yorkshire
S60 1FB

From: **Teknos Sp. z o.o.**
ul. Księcia Ziemowita 59
03-885 Warszawa

Pages: 1

Date: 13.07.2017

Ref. **Information concerning volatile organic substances in Teknos waterbased products for joinery surface coating**

Dear Sirs

General information concerning Teknos products for joinery surface coatings.

All Teknos paint products supplied to M&S Okna for Bereco are waterbased , therefore:

- 1/ There are no volatile organic substances in our coating systems
- 2/ Water is the only solvent and it evaporates totally in the hardening process
- 3/ All Teknos products are free of heavy metals
- 4/ All Teknos coating systems are compliant with EN71/3.

Robert Boiński
Commercial Director IWE
Teknos Sp. z o.o.

Spółka wpisana do rejestru przedsiębiorców,
prowadzonego przez Sąd Rejonowy
dla m. st. Warszawy w Warszawie
XIII Wydział Gospodarczy Krajowego
Rejestru Sądowego pod numerem
KRS 0000052214
Wysokość kapitału zakładowego 13 164 500,00 zł
NIP: 522-16-70-517
REGON: 012307918

TEKNOS Sp. z o.o.

ul. Ks.Ziemowita 59
03-885 WARSZAWA
Polska

tel.: (22) 67 87 004
fax: (22) 67 87 995

Danske Bank A/S S.A. Oddział w Polsce
26 2360 0005 0000 0045 5025 1923

e-mail: biuro@teknos.pl
www.teknos.pl

About the manufacturer...



Bereco

Bereco was founded in 2003 and is based in Rotherham, South Yorkshire. With the aim of 'Delivering the Difference' and to become the benchmark company for external joinery in the UK. Bereco takes pride in providing superior quality wooden windows and doors, a professional service and all delivered by a friendly customer focused team.

Sustainably sourced timber windows and doors that are designed and manufactured to the highest standards in quality, performance and security, were and remain to this day our core values.

Environment and sustainability

Bereco's mission has always been to: supply beautifully bespoke timber windows and doors that do not cost the earth. For Bereco, it's no longer just a case of just "delivering the difference"; they are striving to "make a difference with our naturally renewable, energy-efficient, carbon saving timber windows and doors".

Energy Efficient Windows & Doors

Bereco timber windows and doors are designed with optimum energy efficiency in mind. With U-values up to 25% better than the new 2022 Part L Building Regulations using our standard double glazing.

Carbon Negative Windows & Doors

Bereco wooden windows and doors are made from naturally renewable materials that are carbon negative and come from sustainable forests. Bereco windows and doors makes offsetting some of the carbon emissions of your own home possible, reducing its and your carbon footprint.

- **Lowest embodied carbon – Timber has the lowest embodied carbon of any window material at just 85kgCO²e**
- **Lower global warming – Timber has -60kgCO²e**

Bereco are members of the following schemes:



FSC®

We make our windows from only FSC® 100% certified timber which is essential in helping in the fight against deforestation.



World Land Trust

We donate £1 for every timber door purchased to World Land Trust, saving acres of rainforest.



ASBP

Bereco are a proud member of the Alliance For Sustainable Building Products demonstrating our commitment to sustainability.