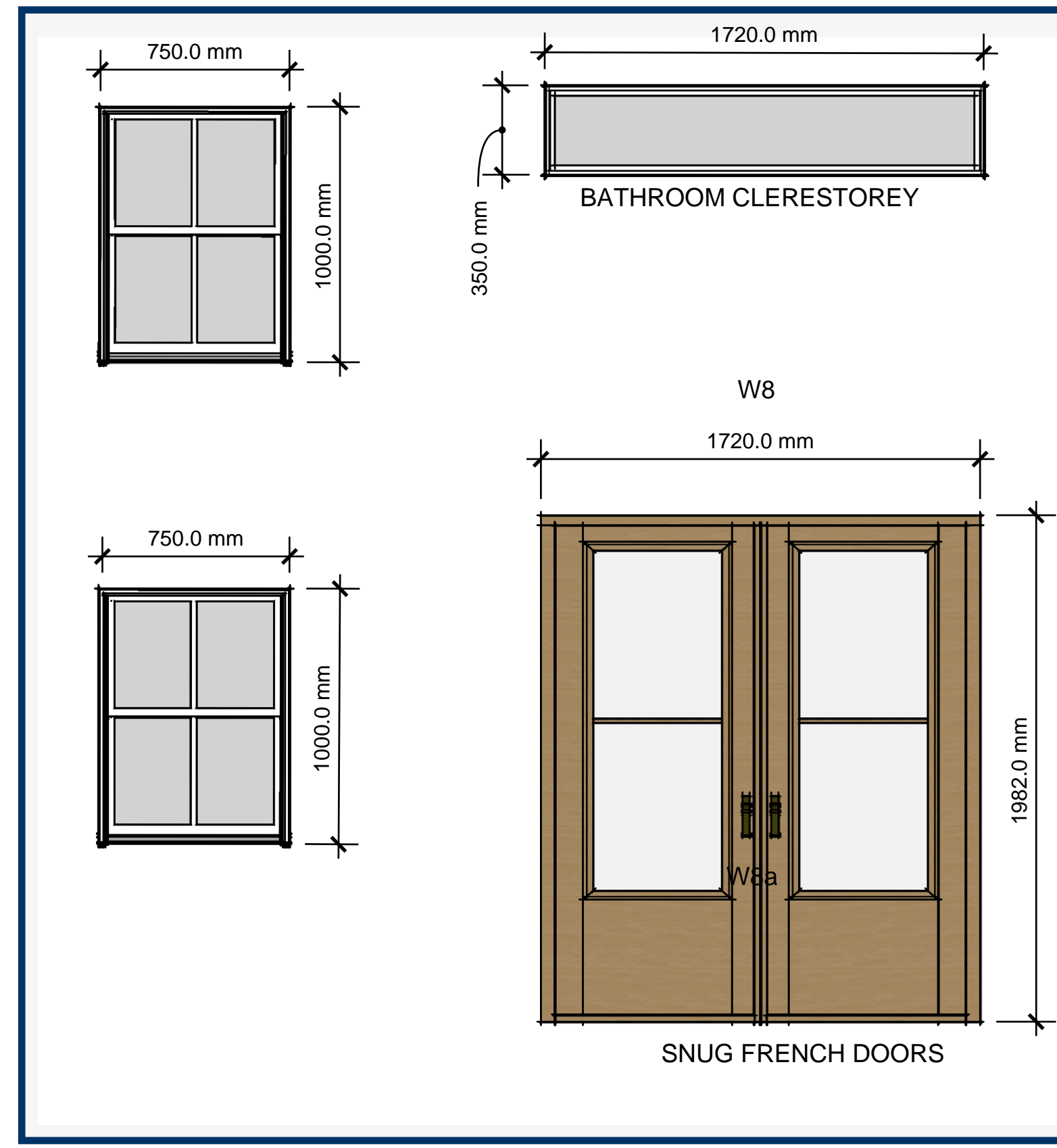


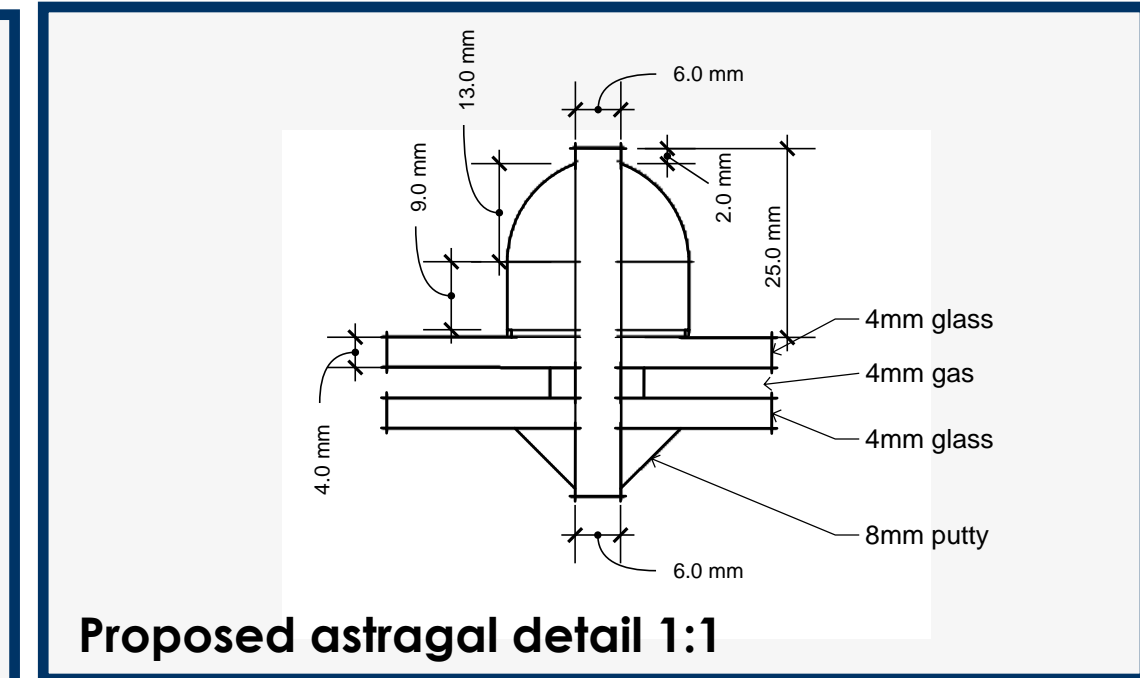
W3a - NEW WINDOW AT CURRENT DOOR OPENING

1 Proposed Cottage new windows
A10.2 1:20

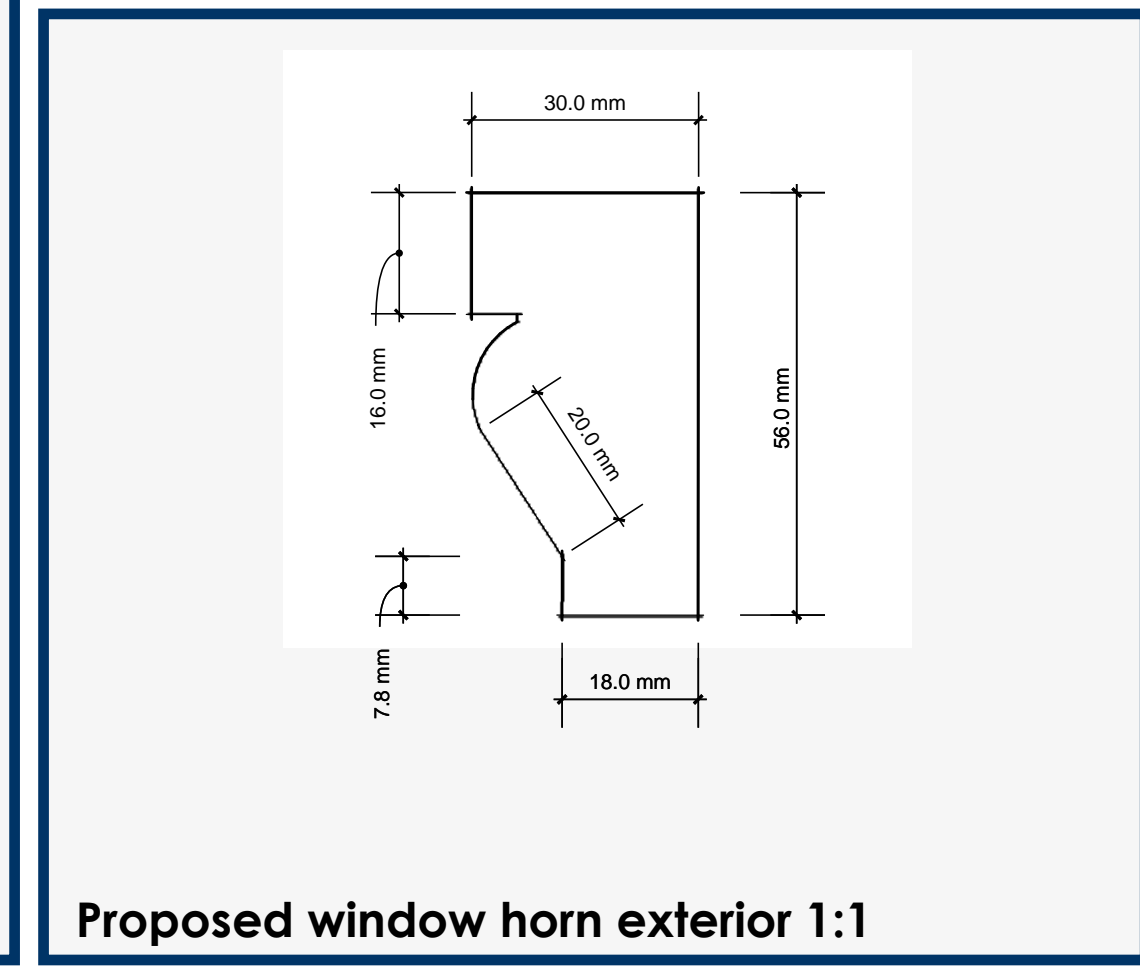
The new proposed windows for Westend Cottage are bespoke sash and case windows, 2 over 2 divided lite design with astragal details that are relevant to the historical time period of the existing windows. The windows will be manufactured by a local joiner: Adrian Scott Joinery, 49 Baxter Road, Crossgates and as such there is no website to reference, however Mr Scott did make the windows for Culross Boathouse. The new wood windows will be accurate in their construction using 35mm tight grain pine frames with the bottom frame of the lower unit being 70mm deep. All windows are custom made to suit the varying rough openings on the existing cottage. Although the windows just removed are single glazed, the new windows will have 12mm double glazed thermal units and full divided lite astragal details comprising ¼ round interior finish and 8mm putty line to the exterior. Horns will be added to the frames to provide a historical context and provide support to the mortise and tenon joints. Horns will also be crafted for the interior frames.



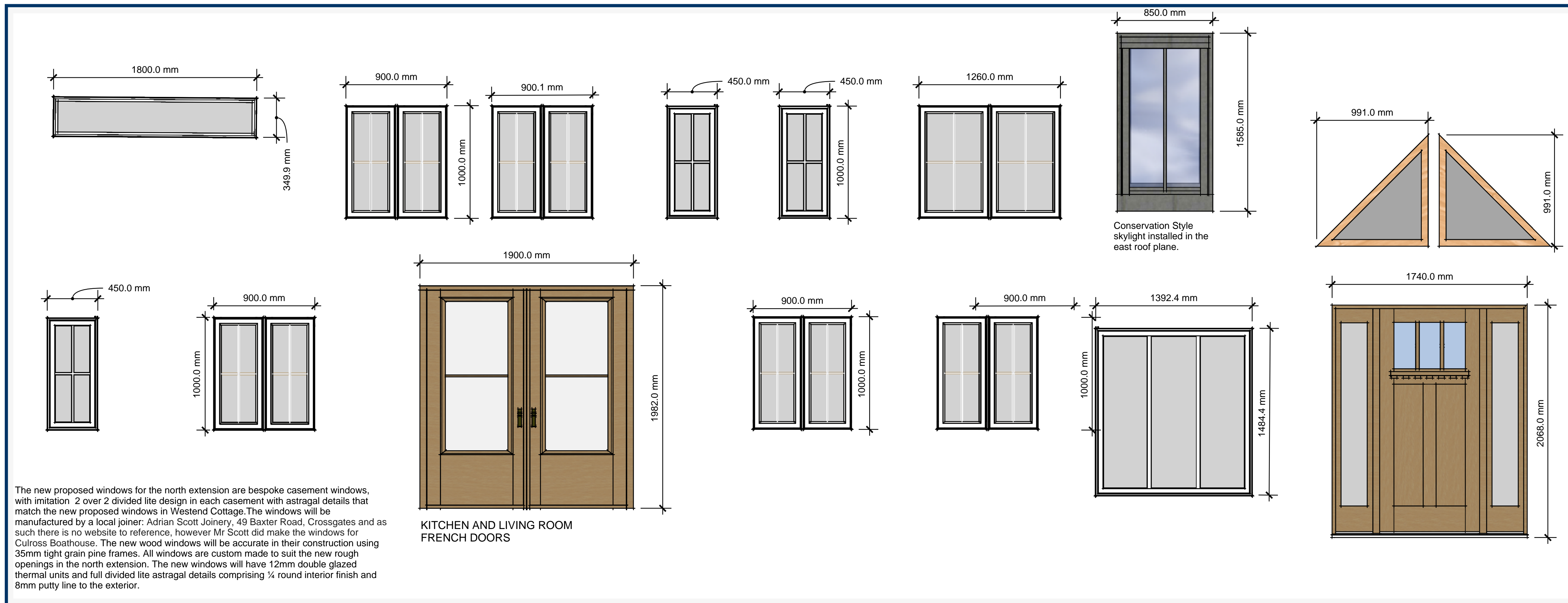
1 Proposed West Extension new windows and door
A10.2 1:20



Proposed astragal detail 1:1



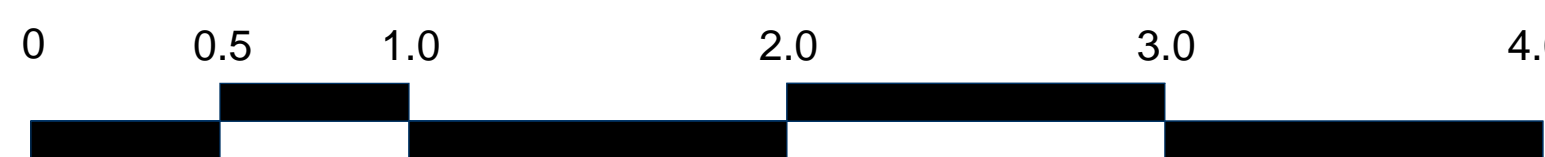
Proposed window horn exterior 1:1



KITCHEN AND LIVING ROOM FRENCH DOORS

The new proposed windows for the north extension are bespoke casement windows, with imitation 2 over 2 divided lite design in each casement with astragal details that match the new proposed windows in Westend Cottage. The windows will be manufactured by a local joiner: Adrian Scott Joinery, 49 Baxter Road, Crossgates and as such there is no website to reference, however Mr Scott did make the windows for Culross Boathouse. The new wood windows will be accurate in their construction using 35mm tight grain pine frames. All windows are custom made to suit the new rough openings in the north extension. The new windows will have 12mm double glazed thermal units and full divided lite astragal details comprising ¼ round interior finish and 8mm putty line to the exterior.

2 Proposed North Extension windows & doors
A10.2 1:20 @ A1



FEATHERSTONE PROJECT
WESTEND COTTAGE

Document Date:
August 14, 2023

Document Phase:
Planning Permission

rev. date remark

WINDOWS AND DOORS
Scale @ A1

A10.2