

- NOTES**
- Contractors must check all dimensions on site. Only figured dimensions are to be worked from. Discrepancies must be reported to the Architect or Engineer before proceeding. © This drawing is copyright.
 - All plans and drawings are drawn true to stated scales and can be used for the purpose of planning only. Responsibility is not accepted for errors made by others in scaling from this drawing.
 - Reproduced from OS Sitemap © by permission of Ordnance Survey on behalf of The Controller of Her Majesty's Stationery Office. © Crown copyright 2008. All rights reserved. Licence number 100007126.
 - Until technical approval has been obtained from the relevant authorities, all drawings are issued as preliminary and not for construction. Should the Contractor commence site work prior to approval being given it is entirely at his own risk.

Proposed vehicular crossover to be provided in accordance with Hertfordshire County Council specifications.

Existing carriageway to be planned and resurfaced to allow for the construction of the vehicular crossover.

The works shall be in accordance with Roads in Hertfordshire: Highway Design Guide

SAFETY, HEALTH AND ENVIRONMENTAL

In addition to the hazards, risks normally associated with the type of work detailed on this drawing, note the following significant risks and information.

Construction:

- The soils investigations report has noted lead contamination and the presence of asbestos.

For information relating to end use, maintenance, demolition, see the health and safety file.

It is assumed that all works will be carried out by a competent Contractor, where appropriate, to an approved method statement.

- KEY**
- Site Boundary
 - Highway Boundary based on plans received from Hertfordshire County Council
 - Proposed vehicular crossover 3.6m wide
 - Extent of works to existing carriageway
 - Bullnosed kerb 125 x 150 mm (BN) laid at 25mm kerf
 - Edging 150 x 50mm (EF)
 - Kerb transition

REV	DESCRIPTION	DRN	CHD	DATE	
<input type="checkbox"/>	PRELIMINARY	<input type="checkbox"/>	INFORMATION	<input type="checkbox"/>	TENDER
<input type="checkbox"/>	CONSTRUCTION	<input type="checkbox"/>	AS BUILT		

SCALE 1:200 @ A2 DATE May 2022

DRAWN IZ CHK GBR

DRAWING NO. 19081-5-WROW-900 REV -

TITLE Land at Well-Row Bayford

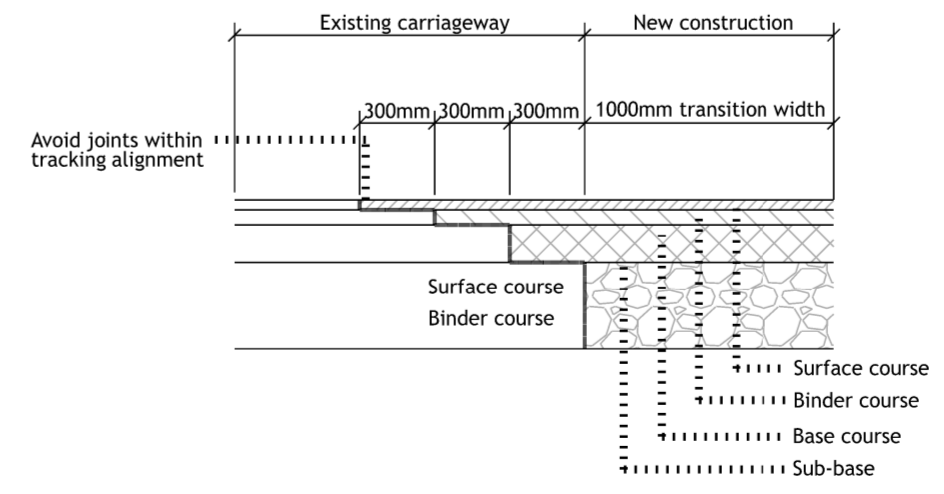
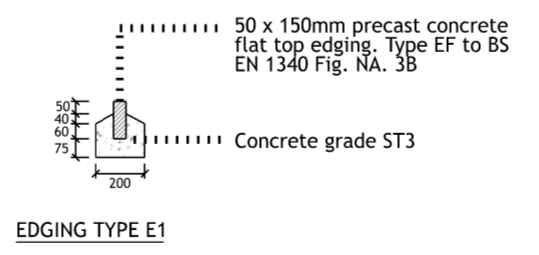
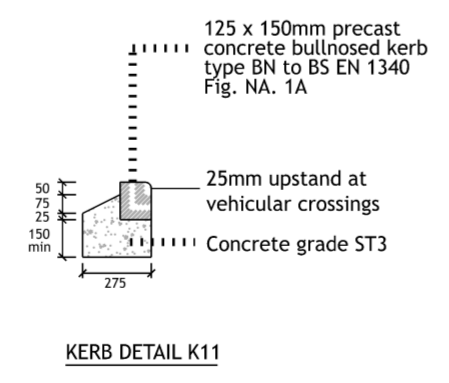
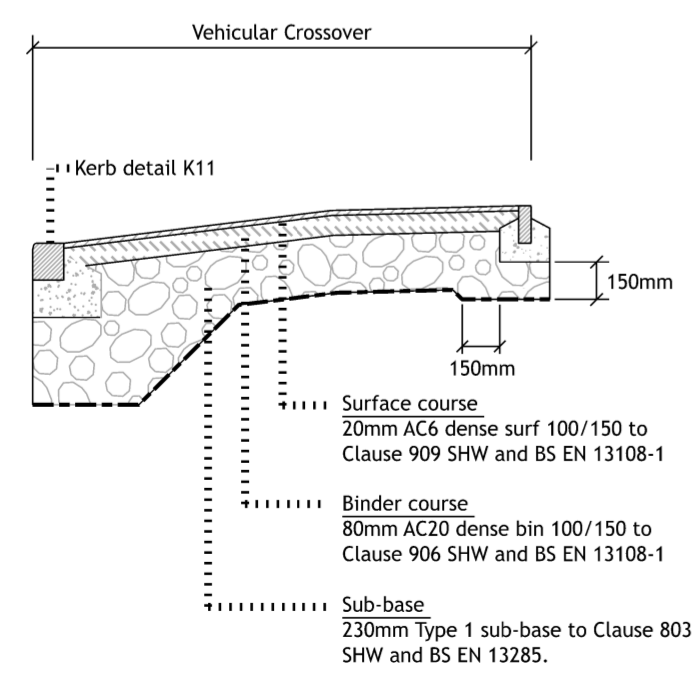
DETAILS Vehicular Crossover Construction Details

Woods Hardwick
Architecture | Engineering | Planning | Surveying

BEDFORD : HEAD OFFICE
15-17 Goldington Road
Bedford MK40 3NH
T: +44 (0) 1234 268862
ONLINE: mail@woodshardwick.com | woodshardwick.com

BIRMINGHAM
Fort Dunlop, Fort Parkway
Birmingham B24 9FE
T: +44 (0) 121 6297784

PLEASE CONSIDER THE ENVIRONMENT BEFORE PRINTING THIS DRAWING



INSERTS NOT TO SCALE