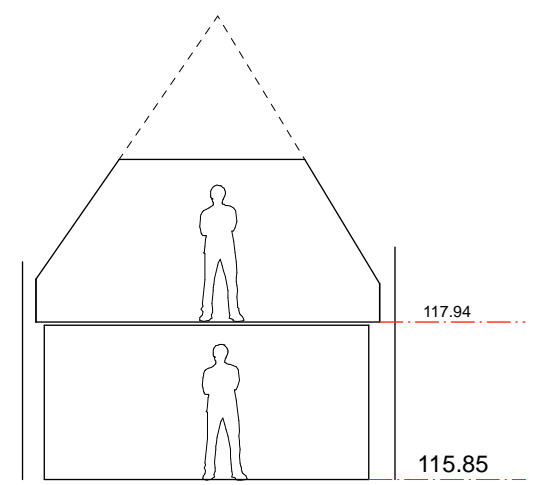
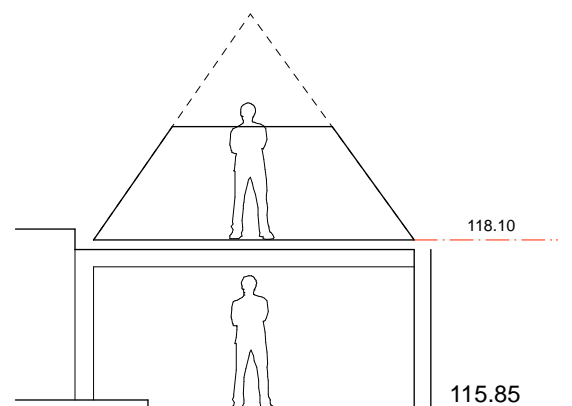


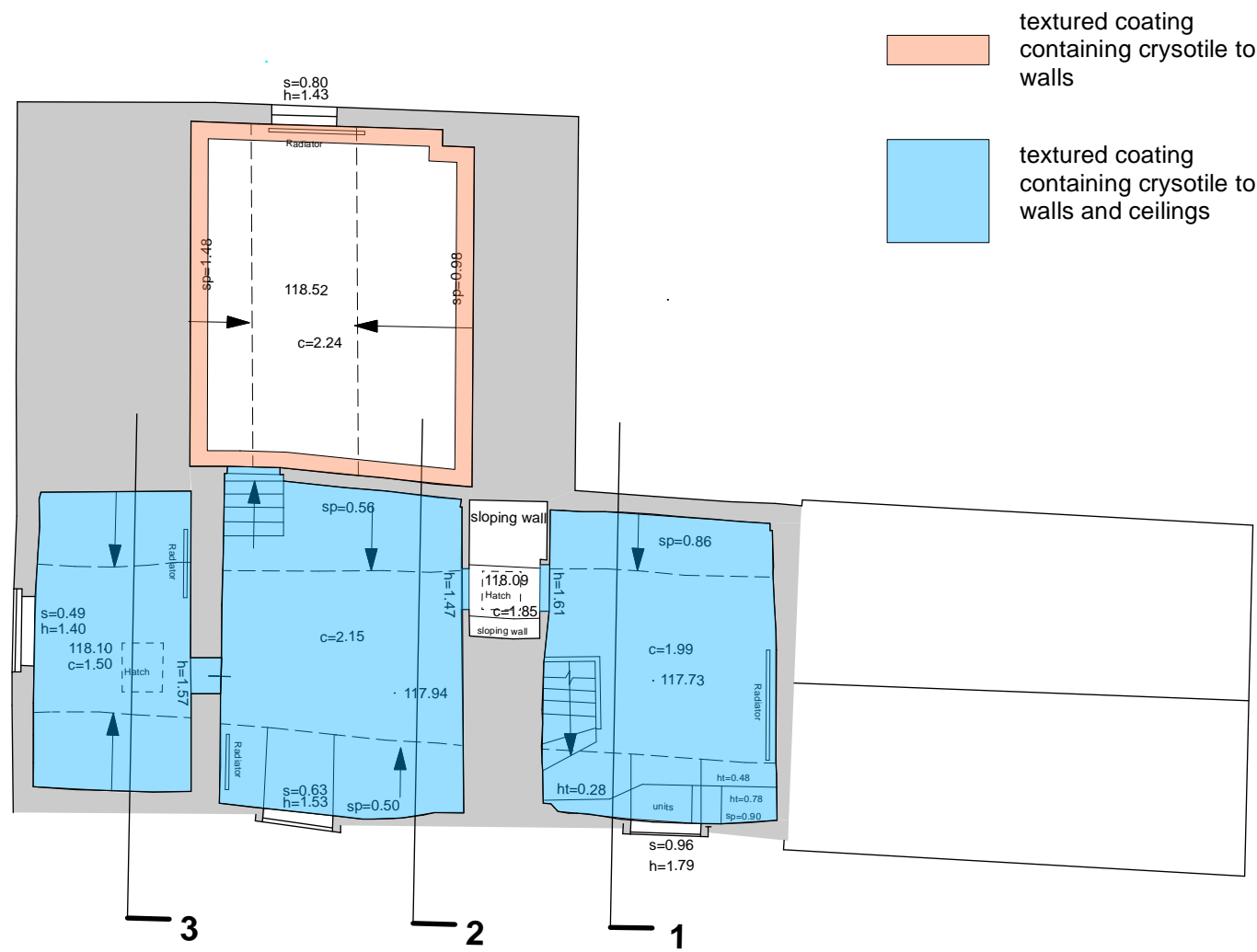
SECTION 1



SECTION 2



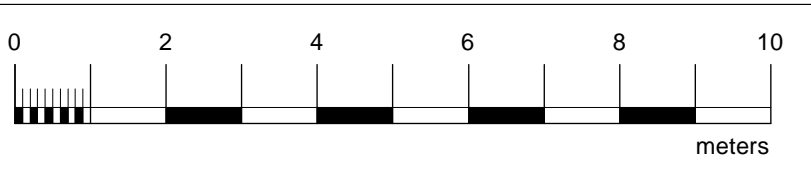
SECTION 3



textured coating containing crysotile to walls
 textured coating containing crysotile to walls and ceilings



PROJECT 5
 ARCHITECTURE LLP
 1 Quilter Street
 London E2 7BS
 +44 (0)20 7739 9131
 E: info@p5a.co.uk



job title
THE REST & WELCOME, HAULTWICK SG11 1JF
 drawing
FIRST FLOOR PLAN, SECTION & PHOTOS SHOWING AREAS CONTAINING ASBESTOS

scale
1:100 @ A3
 date
SEPT 2023

drawn
MP
 checked
XX

drawing no.
8201 HW3-S05