

- 01495 616277
- 07508890294
- [info@creationdesign-wales.com](mailto:info@creationdesign-wales.com)

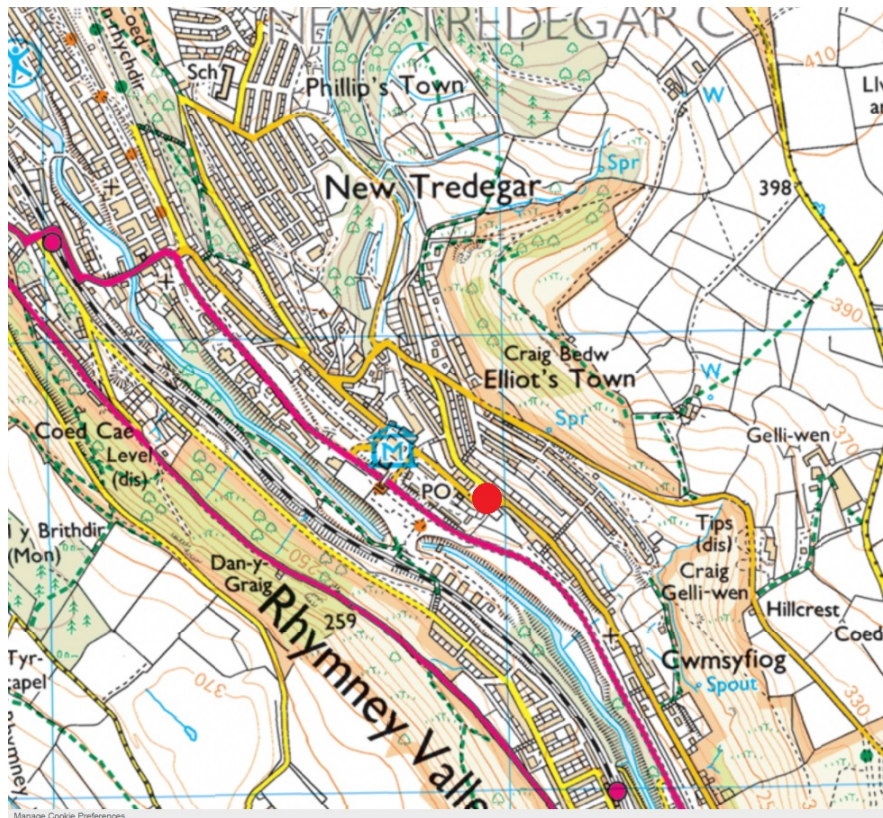
Date: 7<sup>th</sup> September 2023

Project Ref: 23/116

## DESIGN & ACCESS STATEMENT

**Application for Change of Use from shop (A1)**  
**to Café and Hot Food Takeaway (A3)**  
**including fitting of external mechanical ventilation flue to rear**

**Elliot's Town Post Office**  
**16 Elliot Street, Elliot's Town. New Tredegar. NP24 6DP**



- Map 1 – Site Location Plan  
Page 1 of 5



- Photo 1 – Front Elevation

•



- Photo 2 – Side Elevation

•

## **1.0 Assessment of Context**

- 1.1 Surrounding:- Elliotts Town is a typical valley village in the Rhimney Valley. Urban mixed use, mainly residential but with commercial premises.
- 1.2 Uses: The present use was a small general store and post office. The shop is too small and is planning to re-locate within the village.
- 1.3 Buildings/ character: Urban street constructed approximately 1880's
- 1.4 Access to local/transportation: There is a bus stop within close walking distance of the shop premises..
- 1.5 Any special designation (Conservation Area): None

## **2.0 Site**

- 2.1 The property is a retail unit with small sub post office.. (A1 Planning Use)
- 2.2 The scheme is for change of use only from retail to Café and hot food takeaway (A3 Planning Use).
- 2.3 Natural Features (trees/hedges/ water features): None
- 2.4 Topography / gradients: The site is generally Level.

## **3.0 For Listed Buildings**

The building is not listed or in a conservation area.

## **4.0 Social Context:**

- 4.1 Any effect from the loss of existing building / use?: None
- 4.2 Any potential overlooking / overshadowing from the site? None
- 4.3 Impact on any local services? None

## **5.0 Economic Context**

- 5.1 Any jobs created?: the business may employ up to 3 people.
- 5.2 Any businesses supported? Not directly

## **6.0 Proposed Opening Times & Use**

The business will not have any restaurant seating.

### OPENING TIMES

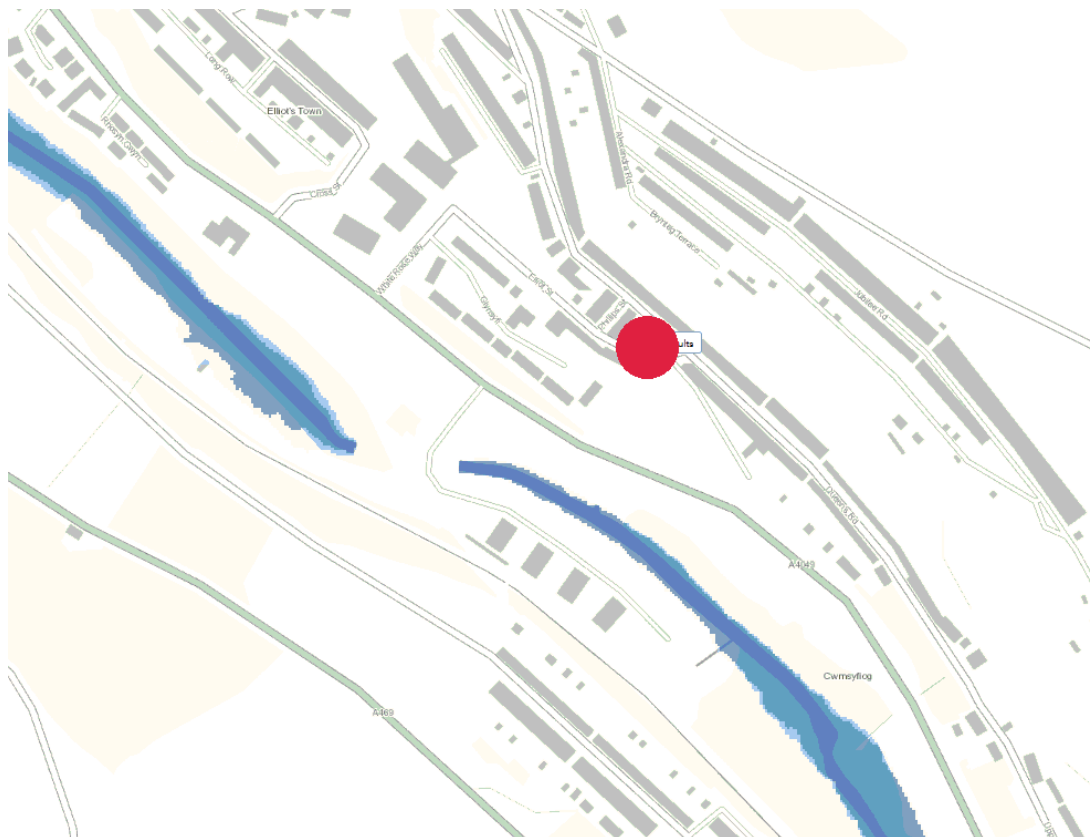
- Monday 12 Noon - 11:00 pm
- Tuesday 12 Noon - 11:00 pm
- Wednesday 12 Noon - 11:00 pm
- Thursday 12 Noon - 11:00 pm
- Friday 12 Noon - 11:00 pm
- Saturday 12 Noon - 11:00 pm
- Sunday 12 Noon - 11:00 pm

## 7.0 Involvement of Community Members

Due to the size of the project, the neighbours have not been consulted.

## 8.0 Flood Risk

The site is not in a flood risk zone. (Refer to map below)



Map 2 – NRW Flood Map Extract

## 9.0 Design of the scheme

9.1 The scheme is for change of use only and not for building works which will increase the volume of the building.

9.2 The scheme also includes for an extract ventilation flue which will have galvanized zinc finish. Details of plant, flue and extractions is appended to this document.

## 10.0 Signage

Replacement signage will be the same size as existing and subject to a signage application.

## 11.0 Deliveries

It is proposed that the new business will offer a home delivery service which will reduce the amount of people arriving and departing at the property.

## 12.0 Waste & Recycling

There is scope within the rear outdoor space to provide secured waste storage. A trade waste and recycling contract would be secured and waste bin taken out only at delivery slot times as the rest of the commercial units on the row do.

## 13.0 Environmental Health

13.1 Any recommendations from the environmental health department will be considered (such as grease traps etc).

# **APPENDIX A**

## **MECHANICAL EXTRACT SILENCER DETAILS.**

### **MAINTENANCE PLAN**

07/09/2023

Reference: Details of equipment to be used

Client: P Nadarajah 16 Elliot Street, New Tredegar NP24 6DP

Details of equipment that will be used:

**Carbon Filter details:**

The unit we will be fitting is a single width unit, with filter fitted to front exit of unit.

3 off Carbon Filter Unit (495 x 495 x 22 mm)

The dimension of the housing will be 600 x 600 x 500 fully galvanised.

Please see attached data.

**Silencer Model:**

SLU 450

Please find attached data

**Fan details:**

450 Flakt woods EC Range 1 phase/240v

See Attached data sheet

**Jet Cowl Detail:**

Manufactured from galvanized mild steel, fitting slots inside ducting, c/w mesh protector for top of cowl.

**The above cowl will be fitted 1 metre above eaves to conform to building regulations**

# AIRCLEAN

YOUR AIR FILTER MANUFACTURER

P.O. BOX 147,  
MAIDSTONE, ME14 2LA.

TEL:01622 832777  
FAX:01622 832507

sales@airclean.co.uk www.airclean.co.uk

## Activated Carbon Filters—Panels

### Applications

The disposable activated carbon filter panel, can be sized and used in a wide variety of odour reduction applications. They can be fitted into duct mounted casings to provide the required contact time and airflow.

### Construction

The panels are generally manufactured using the bonding process to provide a rigid panel which is framed in a metal channel. The panel is finished in a "fabric facia" which minimises the dusting from the panel.

Panels can also be produced using a loose fill technique, whilst this offers an improved rate of adsorbancy, the activated capacity remains the same. The panels are designed to minimise the risk of by pass due to settlement, and for this reason their installation should be designed to be horizontal,



### Technical:

**Maximum Operating Temperature:** 40 Deg C  
**Maximum Operating Humidity** 80% RH

Nominal thickness	Actual thickness	Pressure drop	Face velocity m/s
25mm	22mm	45 Pa	0.22 (43fpm)
22mm	19mm	40 Pa	0.19(37fpm)

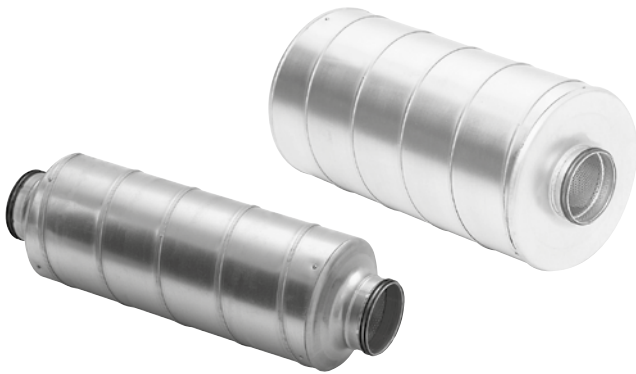
SIZE	Nominal Inches	SIZE	Actual mm
	12" x 12" x 1"		302 x 302 x 22mm
	15" x 15" x 1"		379 x 379 x 22mm
	18" x 18" x 1"		454 x 454 x 22mm
	20" x 20" x 1"		505 x 505 x 22mm
	24" x 24" x 1"		606 x 606 x 22mm

The company reserves the right to change specifications without notice. E&OE

Code AC6/1h Ref 06/06

# Circular straight silencer

SLU



## Description

SLU is a circular straight silencer

Nominal insulation thicknesses are 50 mm or 100 mm.

Attenuation material is mineral wool. The SLU's are made of strong outer spiral seemed tube and an inner tube made of sheet steel with small openings to be able to withstand mechanical cleaning and at the same time not interfere with the insertion loss. The space between them is filled with mineral wool and a nonwoven cloth is inserted between inner tube and the attenuation material, to prevent fibres from the insulation getting into the duct system. Silencer can be cleaned by rotating nylon brushes, vacuum cleaner or damp cloth.

Tested according to ISO 7235 standard.

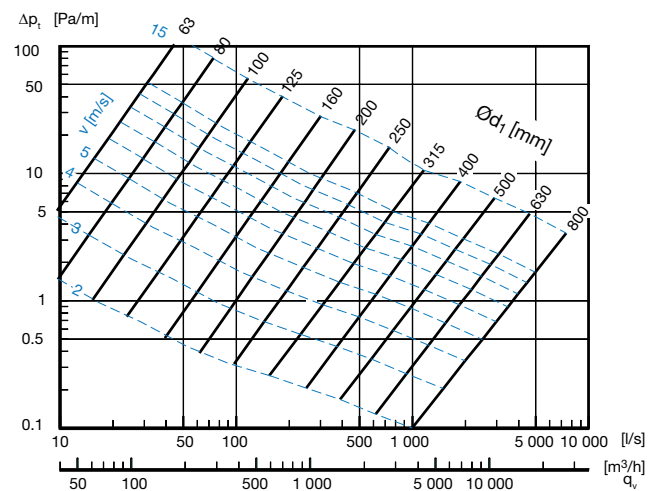
Special materials, sizes and flanges on request. Please contact Lindab sales.

## Order code

Product	SLU	d	l	t
SLU				
<b>Connection (d) in mm (<math>\varnothing d_{nom}</math>)</b>				
63 - 400 mm (50 mm insulation)				
315 - 800 mm (100 mm insulation)				
<b>Length (l), in mm (<math>l_{nom}</math>)</b>				
300 - 1200 mm (50 mm insulation)				
600 - 1500 mm (100 mm insulation)				
<b>Insulation thickness (t) in mm</b>				
50 or 100 mm				

Example: SLU 200 - 900 - 50

## Technical data



## LindQST

To select the attenuator to suit your needs use Lindab's advanced sound calculation and dimensioning web tool LindQST. This tool will allow you to optimize width, height and length for the best performance and to meet your on site requirements.

Visit [www.lindqst.com](http://www.lindqst.com) to find preference out more.



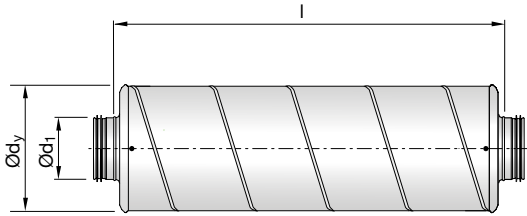


# Circular straight silencer

SLU

## Technical data for silencer with 50 and 100 mm insulation

Dimensions and sound data for silencer with 50 mm insulation.



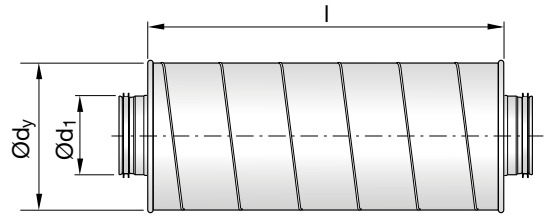
Ød <sub>1</sub> [nom]	l [nom]	Insertion loss [dB] for centre frequency [Hz]								Ød <sub>y</sub> [mm]	l [mm]	m [kg]
		63	125	250	500	1k	2k	4k	8k			
63	300	0	6	13	21	32	44	36	26	170	300	1,8
63	600	0	7	20	35	50	50	50	34	170	600	3,0
80	300	1	5	8	15	25	25	21	15	190	300	2,0
80	600	2	8	14	28	49	50	47	24	190	600	3,0
80	900	3	10	21	40	50	50	50	34	190	900	5,0
80	1200	4	13	27	50	50	50	50	43	190	1200	7,0
100	300	1	5	7	15	25	25	21	13	210	360	2,0
100	600	1	7	12	25	43	48	35	20	210	660	3,0
100	900	2	10	17	34	50	50	49	28	210	960	5,0
100	1200	3	12	22	44	50	50	50	35	210	1260	7,0
125	300	0	4	5	13	23	20	16	11	235	365	3,0
125	600	1	5	10	22	39	37	26	16	235	665	4,0
125	900	1	7	14	30	50	50	37	21	235	965	7,0
125	1200	2	9	18	39	50	50	47	26	235	1265	9,0
160	300	0	3	5	11	22	16	11	7	270	370	3,0
160	600	1	4	8	19	37	28	17	11	270	670	6,0
160	900	1	5	12	27	50	39	24	14	270	970	8,0
160	1200	2	6	15	35	50	50	30	17	270	1270	10,0
200	300	0	2	4	9	19	11	7	5	310	385	4,0
200	600	1	3	8	15	28	19	12	8	310	685	7,0
200	900	2	4	11	21	37	28	16	10	310	985	10,0
200	1200	2	5	14	27	46	36	21	13	310	1285	12,0
250	300	0	1	3	7	15	8	5	5	365	300	6,0
250	600	1	2	6	14	26	14	8	7	365	600	9,0
250	900	1	3	9	19	38	19	11	9	365	900	12,0
250	1200	2	4	11	24	50	24	13	11	365	1200	15,0
315	300	0	1	2	6	12	5	4	4	427	300	8,0
315	600	0	2	4	10	22	9	6	7	427	600	12,0
315	900	2	3	7	16	31	13	8	9	427	900	18,0
315	1200	2	3	8	20	39	16	9	10	427	1200	24,0
400	300	0	1	2	3	3	2	3	1	508	300	12,0
400	600	0	2	4	8	10	5	4	4	508	600	16,0
400	900	0	2	5	12	16	7	5	6	508	900	22,0
400	1200	0	2	7	16	20	9	6	7	508	1200	32,0

There is given max. attenuation values of 50 dB in the table above.

Sizes 63–315 are supplied with preinstalled Safe-connectors.

Size 400 is supplied with loose NPU-couplings.

Dimensions and sound data for silencer with 100 mm insulation.



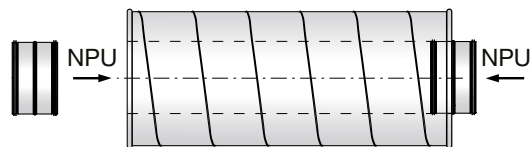
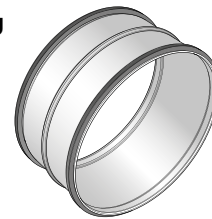
Ød <sub>1</sub> [nom]	l [nom]	Insertion loss [dB] for centre frequency [Hz]								Ød <sub>y</sub> [mm]	l [mm]	m [kg]
		63	125	250	500	1k	2k	4k	8k			
315	600	2	5	9	14	12	6	4	5	510	600	12,0
315	900	3	6	13	20	19	10	6	7	510	900	18,0
315	1200	4	8	16	27	25	15	9	10	510	1200	24,0
400	600	4	5	8	10	7	4	4	6	625	600	16,0
400	900	4	5	10	17	13	6	6	8	625	900	22,0
400	1200	6	6	13	24	18	8	7	10	625	1200	32,0
500	900	4	4	10	14	8	4	6	6	735	900	26,0
500	1200	3	5	11	21	12	6	7	9	735	1200	39,0
630	900	2	3	7	12	5	4	4	5	880	900	44,0
630	1200	2	4	8	17	7	4	5	7	880	1200	56,0
800	1200	2	3	8	11	5	4	5	6	1030	1200	69,0
800	1500	2	3	10	16	6	5	6	7	1030	1500	86,0

There is given max. attenuation values of 50 dB in the table above.

Size 315 is supplied with preinstalled Safe-connectors.

Sizes 400–800 are supplied with loose NPU-couplings.

NPU

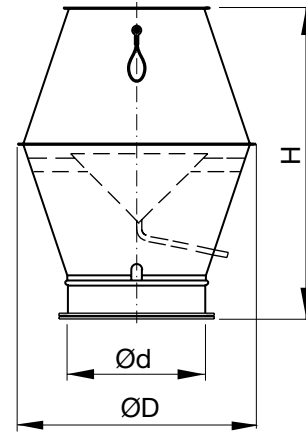


# Roof hood

HF



## Dimensions



## Description

Ventilation hood for air exit above roof, suitable for both industrial and comfort ventilation. The air is ejected in an upwards-directed jet. This avoids contaminating the air in the vicinity of the hood, and soiling of the area around the hood. The ejection is so effective that you can install a fresh air inlet in the immediate vicinity of the hood, without any special precautions.

The hood is made of galvanised sheet steel, and can also be supplied in other materials such as stainless steel sheet 1.4301, stainless acid-resistant steel sheet 1.4404, aluzinc AZ185 and painted in various colours, to special order. It has a net over the opening and an internal rain funnel to collect rainwater and snow, which is drained out of the hood through a hose. The hose can withstand temperatures of between -45 and +65 °C.

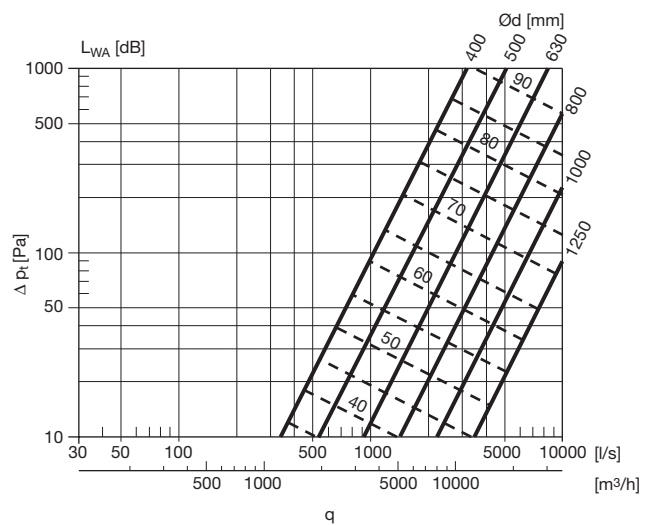
The hood has a flange connection, which includes a mating flange.

To avoid damage to the net in the opening the hood is supplied with transport protection. This must be removed before the hood is taken into service.

The hood is delivered with three turnable lifting and anchoring wire-loops. A single wire-loop shall not be exposed for forces exceeding 1500 N.

Ød nom	ØD mm	H mm	m kg	Roof through con- nection TGR	
				50 mm	100 mm
Size					
400	685	905	11,1	5	6
500	855	1055	20,0	6	7
630	1075	1295	38,0	8	9
800	1360	1640	63,0	9	10
1000	1600	2110	89,1	11	12
1250	2020	2615	118	14	15

## Technical data



## Ordering example

Product code **HF**  
 Dimension Ød **630**

# Duct Fans - ESTOC EC Range



## Features

- Sizes from 355 to 630 mm diameter
- Air flow 19,000 m<sup>3</sup>/h (4.3 m<sup>3</sup>/s)
- Static pressures up to 840 Pa
- Maximum temperature up to 60°C
- Controllable external rotor motors
- Multiple outlet orientations

## Electrical Supply

380 - 420V / 50Hz / 3 Ph

## Sizes

355, 400, 450, 500, 560 and 630.

## Features and Construction

The Estoc EC casing is galvanized and made from sheet steel with PentaPost Construction and acoustic insulation made from fibre glass with a thickness of 20 mm.

## Impeller

The Estoc EC has a backward curved centrifugal impellers made of plastic with galvanised steel support plates for those up to 450 mm. Fans with a diameter of 500 mm and larger have high efficiency backward curved centrifugal impellers made of aluminium.

## Motor

The impellers together with the EC (electronically controlled) external rotor motors are dynamically balanced to quality standard G2,5 DIN ISO 19410

## Speed Controllers

Speed is variable using auto transformers and includes a integrated emergency switch which is controllable using a 0-10v signal (please see page 99).

## Product Code

# Estoc EC 50-355

- ESTOC = Product Name
- EC = EC Motor
- 50 = Box Size ie, 50 = 500mm; 67 = 670mm;  
80 = 800mm; 102 = 1020mm
- 355 = Spigot diameter size

## Accessories

The range of accessories include dampers, flexible connectors, service doors, outlet covers, guards, side covering and insulating connections. A quick reference guide is shown below. For full details on these items please see pages 57-62.



SFC



SSC



SSD



SAD



SOC



SWR



CIG



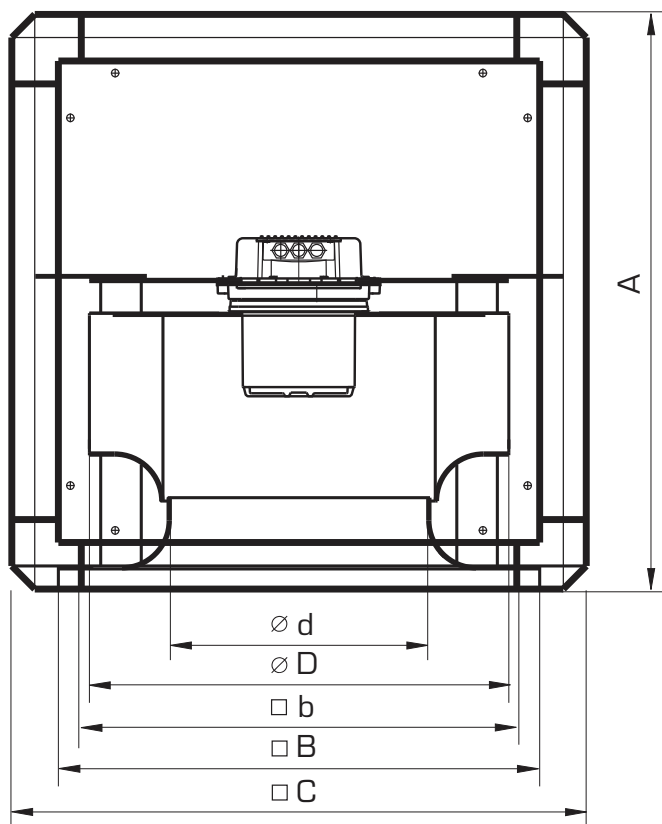
SWR

# Electrical Details and Sound Levels

Product Code	Product Number	Speed rpm	Motor Frame	Electrical Supply	Electrical Current			Wiring Diagrams	Maximum Operating Temp °C	Breakout		** Speed Controllers
					Motor (kW)	Full Load Current (A)	Starting Current (A)			* Sound Level db(A) (3m)	Potentiometer	
ESTOC EC 50-355	UB503559	1500	Integral	220-240 V/50 Hz/1 Ph	0.35	2.1	2.1	CD3013	50	37	✓	
ESTOC EC 67-400	UB674059	1500	Integral	220-240 V/50 Hz/1 Ph	0.62	3.7	3.7	CD3015	50	43	✓	
ESTOC EC 67-450	UB674559	1450	Integral	220-240 V/50 Hz/1 Ph	1	5.7	5.7	CD3015	50	47	✓	
ESTOC EC 80-500	UB805069	1500	Integral	380-420 V/50 Hz/3 Ph	1.9	3	3	CD3010	50	50	✓	
ESTOC EC 80-560	UB805669	1400	Integral	380-420 V/50 Hz/3 Ph	2.8	4.3	4.3	CD3010	50	50	✓	
ESTOC EC 102-630	UB106369	1100	Integral	380-420 V/50 Hz/3 Ph	2.3	3.7	3.7	CD3010	50	43	✓	

\*Sound power levels are average dBA at 3 metres distance over sphere, under free field conditions and are presented for comparative purposes only. Values taken at the mid point on the wave at the highest point. \*\*For speed controllers, please see page 99.

## Drawings and Dimensions



Product Code	A	□ B	□ b	□ C	Ø D	Ø d	Max Weight Kg
ESTOC EC 50-355	500	450	420	500	359	228	36
ESTOC EC 67-400	670	620	590	670	404	257	47
ESTOC EC 67-450	670	620	590	670	454	289	53
ESTOC EC 80-500	800	720	690	800	510	325	84
ESTOC EC 80-560	800	720	690	800	570	362	86
ESTOC EC 102-630	1020	940	910	1020	640	410	102

## Wiring Diagrams

CD3013



CD3015



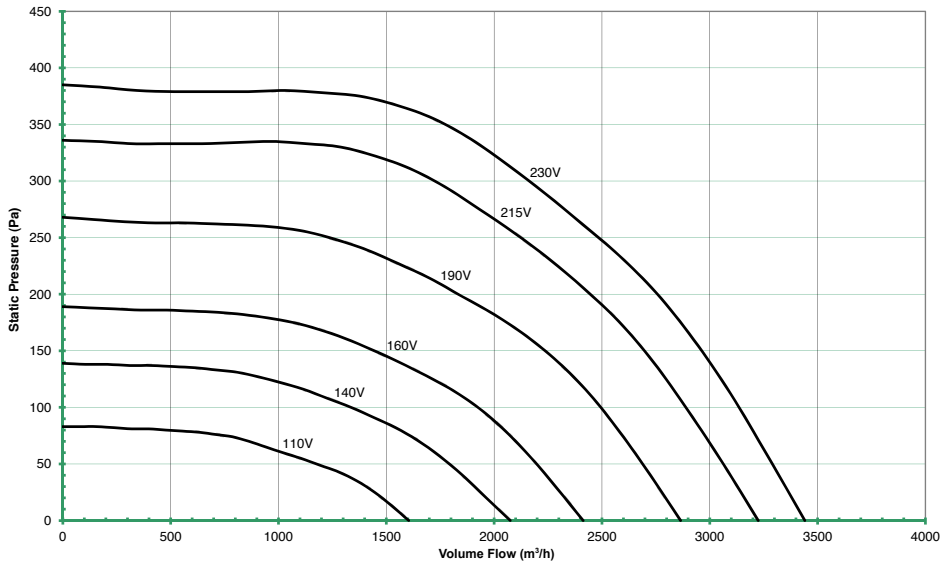
CD3010



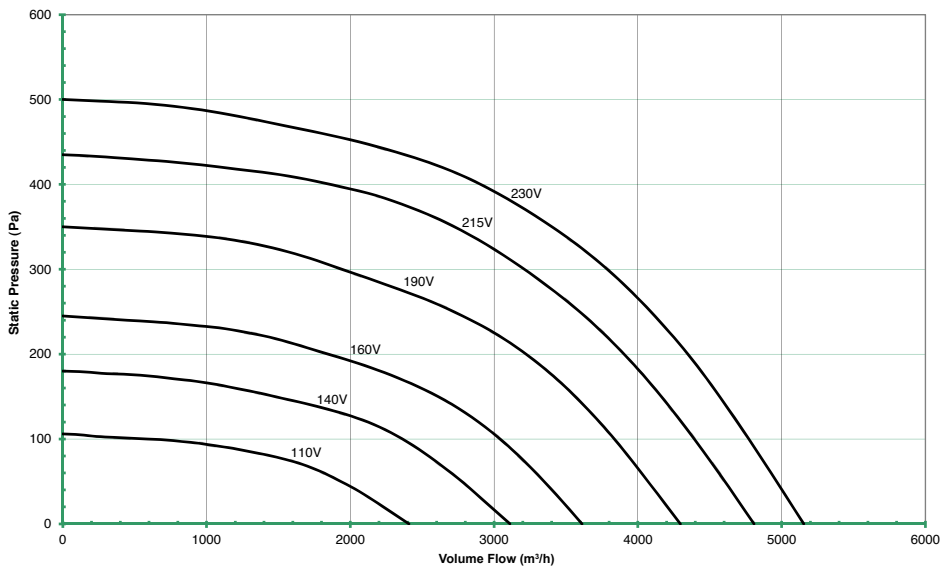
All dimensions shown in mm

# Performance Data

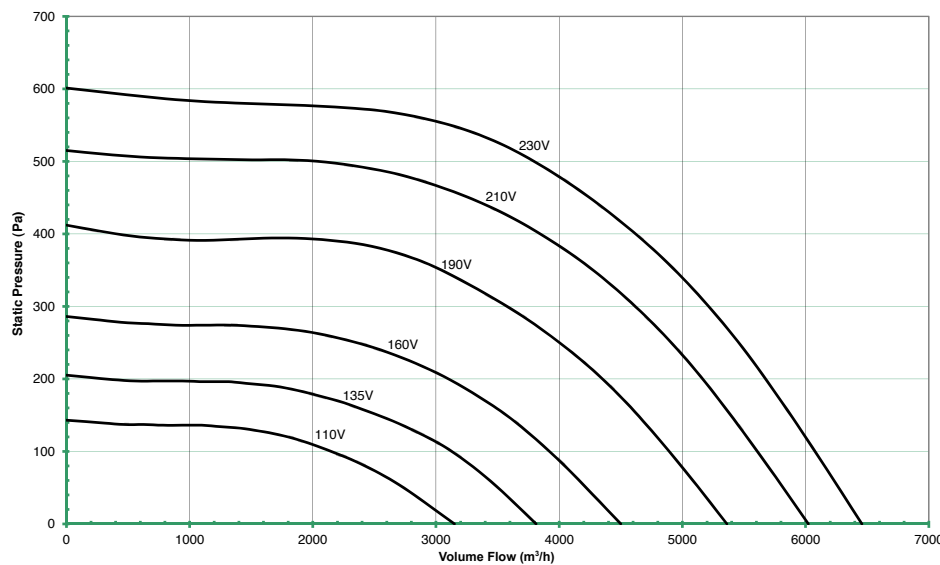
## ESTOC EC 50-355



## ESTOC EC 67-400

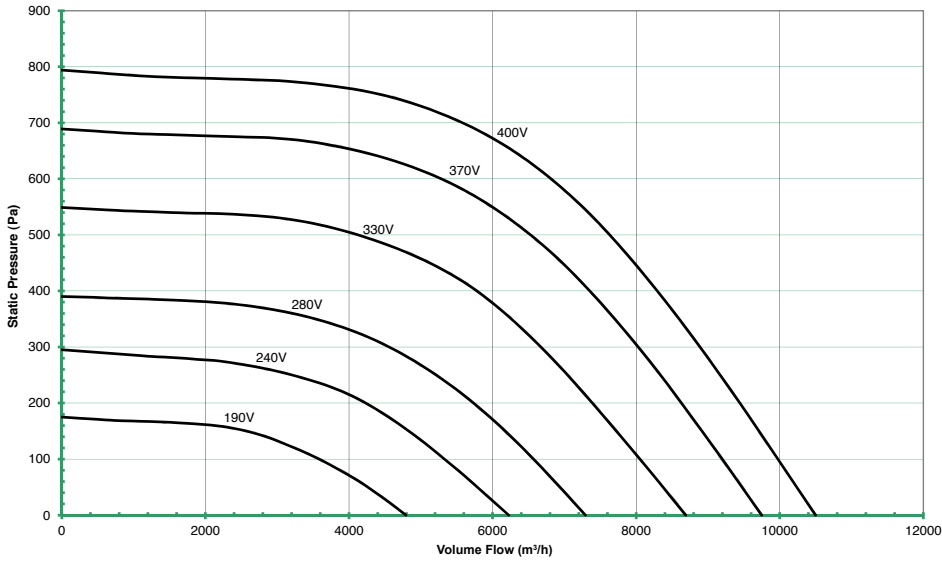


## ESTOC EC 67-450

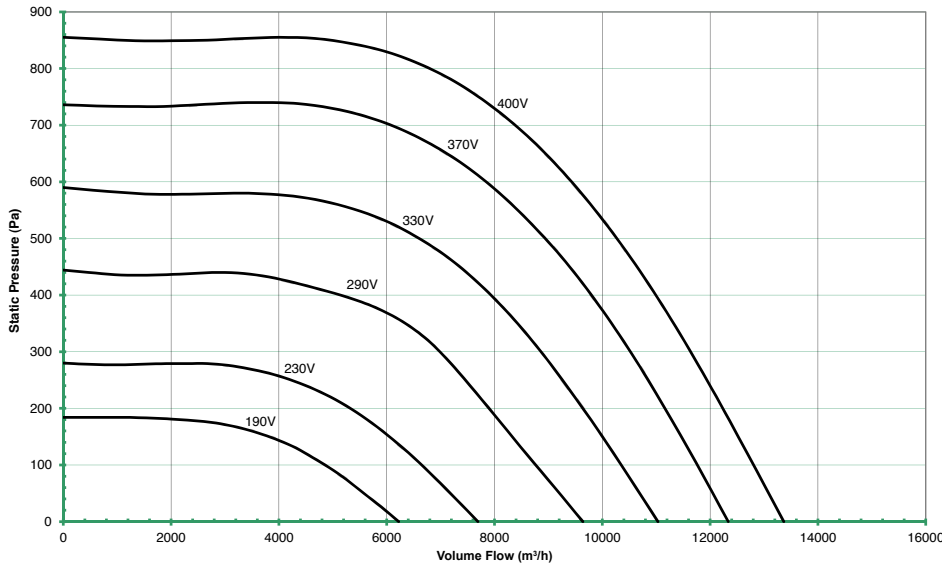


# Performance Data

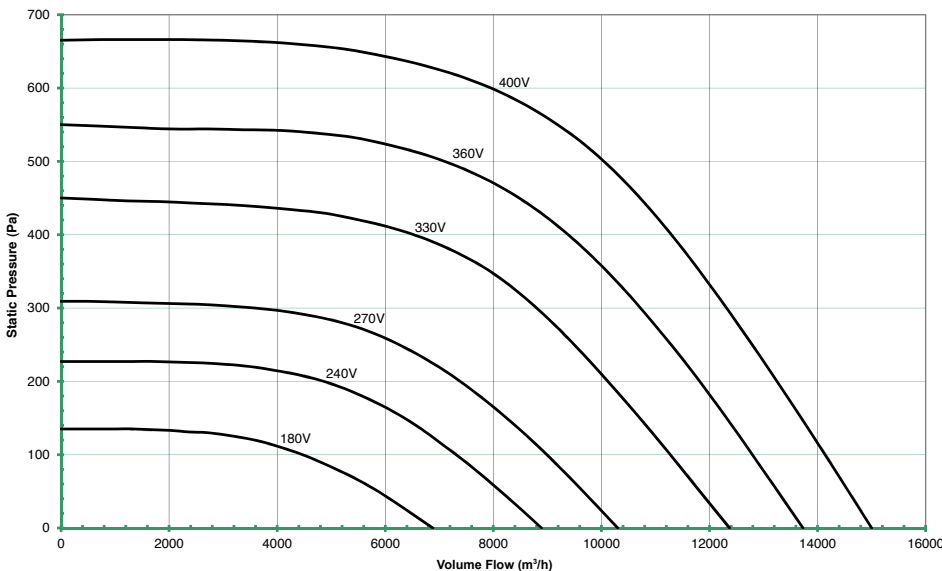
## ESTOC EC 80-500



## ESTOC EC 80-560



## ESTOC EC 102-630



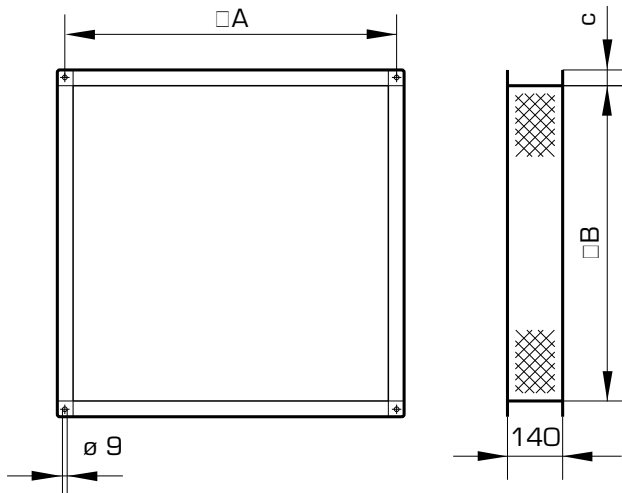
# Accessories

## SFC - Flexible Connection



Estoc and Estoc EC SFC connections are made of galvanized sheet steel. Flexible middle section made of PVC woven cloth with a temperature range up to +70°C.

Estoc Targe connections are made of galvanized sheet steel. Flexible middle section made of PU coated fibre glass cloth with a temperature range up to +180°C.



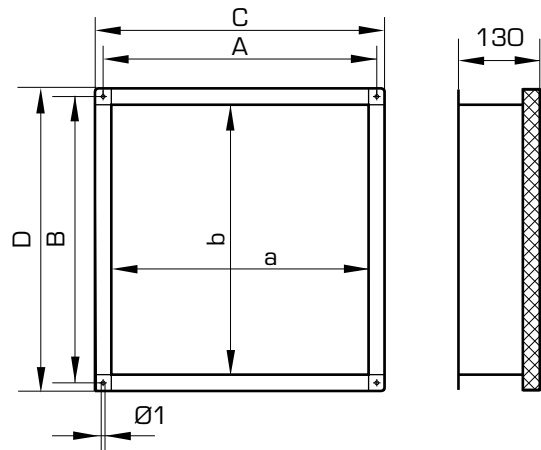
Product Code	Product Number	A	B	C
ESTOC/ESTOC EC 50-355	BI101030	433	409	20
ESTOC/ESTOC EC 67-400	BI101031	603	579	20
ESTOC/ESTOC EC 67-500	BI101031	603	579	20
ESTOC/ESTOC EC 80-560	BI101033	697	659	30
ESTOC/ESTOC EC 80-630	BI101033	697	659	30
ESTOC/ESTOC EC 102-710	BI101035	917	879	30

Product Code	Product number	Inlet or Outlet	A	B	C
ESTOC TARGE 50-355	BI101073	Outlet	398	218	30
ESTOC TARGE 50-355	BI101074	Inlet	388	388	30
ESTOC TARGE 67-400+450	BI101075	Outlet	568	258	30
ESTOC TARGE 67-400+450	BI101076	Inlet	488	488	30
ESTOC TARGE 80-500+630	BI101077	Outlet	698	338	30
ESTOC TARGE 80-500+630	BI101078	Inlet	618	618	30
ESTOC TARGE 102-630	BI101079	Outlet	918	398	30
ESTOC TARGE 102-630	BI101080	Outlet	788	788	30

## SIC - Insulating Connection



Insulating connection made of galvanized sheet steel for easy cleaning. Mechanical isolation through EPDM - foamed rubber



Part Number	Product Number	a	b	A	B	C	D
ESTOC TARGE 50-355	BI101142	360	180	390	210	420	240
ESTOC TARGE 50-355	BI101143	350	350	380	380	410	410
ESTOC TARGE 67-400	BI101144	530	220	560	250	590	280
ESTOC TARGE 67-400	BI101145	450	450	480	480	510	510
ESTOC TARGE 67-450	BI101144	530	220	560	250	590	280
ESTOC TARGE 67-450	BI101145	450	450	480	480	510	510
ESTOC TARGE 80-500	BI101148	660	300	690	330	720	360
ESTOC TARGE 80-500	BI101149	580	580	610	610	640	640
ESTOC TARGE 80-560	BI101148	660	300	690	330	720	360
ESTOC TARGE 80-560	BI101149	580	580	610	610	640	640
ESTOC TARGE 80-630	BI101148	660	300	690	330	720	360
ESTOC TARGE 80-630	BI101149	580	580	610	610	640	640
ESTOC TARGE 102-630	BI101154	880	360	910	390	940	420
ESTOC TARGE 102-630	BI101155	750	750	780	780	810	810

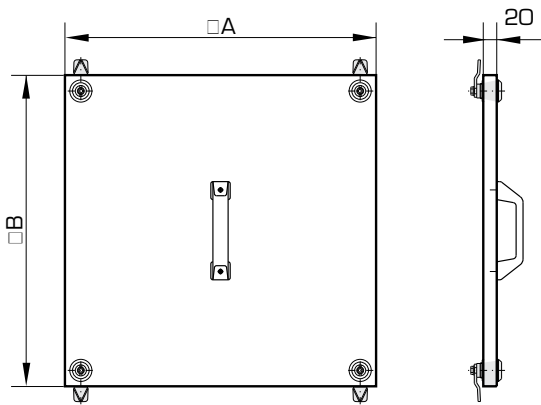
All dimensions shown in mm

# Accessories

## SSD - Service Door



Service door for an easy access to the motorized impeller.



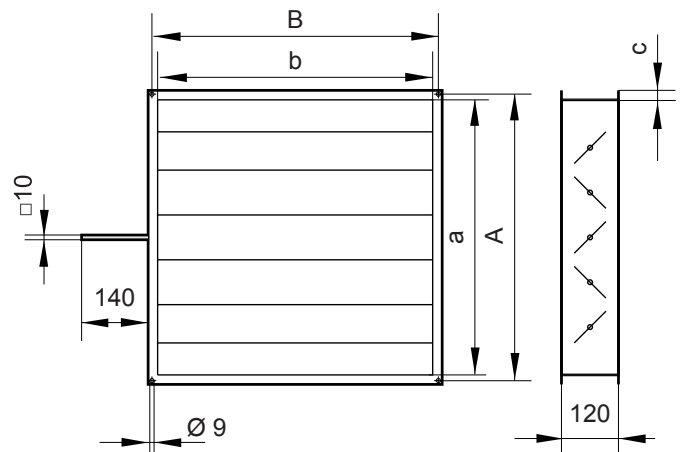
Product Code	Product Number	A	B
ESTOC/ESTOC EC 50-355	BI101042	450	450
ESTOC/ESTOC EC 67-400	BI101043	620	620
ESTOC/ESTOC EC 67-500	BI101043	620	620
ESTOC/ESTOC EC 80-560	BI101045	720	720
ESTOC/ESTOC EC 80-630	BI101045	720	720
ESTOC/ESTOC EC 102-710	BI101047	940	940

Product Code	Product Number	A	B
ESTOC TARGE 50-355	BI101093	450	340
ESTOC TARGE 67-400	BI101094	620	420
ESTOC TARGE 67-450	BI101094	620	420
ESTOC TARGE 67-500	BI101096	620	510
ESTOC TARGE 80-560	BI101097	720	360
ESTOC TARGE 80-630	BI101097	720	360

## SAD - Air Damper



For mounting on estoc. Casings made of galvanized sheet steel, lamellas of aluminium. Exterior adjusting lever for regulating mechanism of lamellas.



Product Code	Product Number	a	b	A	B	c
ESTOC/ESTOC EC 50-355	BI101048	409	409	433	433	20
ESTOC/ESTOC EC 67-400	BI101049	579	579	603	603	20
ESTOC/ESTOC EC 67-500	BI101049	579	579	603	603	20
ESTOC/ESTOC EC 80-560	BI101051	659	659	697	697	30
ESTOC/ESTOC EC 80-630	BI101051	659	659	697	697	30
ESTOC/ESTOC EC 102-710	BI101053	879	879	917	917	30

Product Code	Product Number	a	b	A	B	c
ESTOC TARGE50-355	BI101100	359	180	397	218	30
ESTOC TARGE 67-400	BI101101	529	220	567	258	30
ESTOC TARGE 67-450	BI101101	529	220	567	258	30
ESTOC TARGE 80-500	BI101103	659	300	697	338	30
ESTOC TARGE 80-560	BI101103	659	300	697	338	30
ESTOC TARGE 80-630	BI101103	659	300	697	338	30
ESTOC TARGE 102-630	BI101106	879	359	917	397	30

All dimensions shown in mm

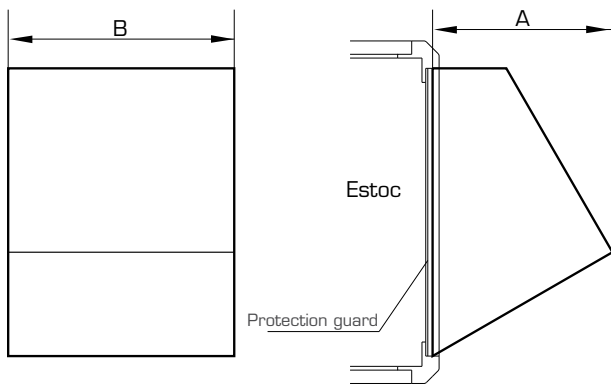


# Accessories

## SOC - Outlet Cover



Rain safe outlet cover made of galvanized sheet steel, for installation in free-blowing unit.



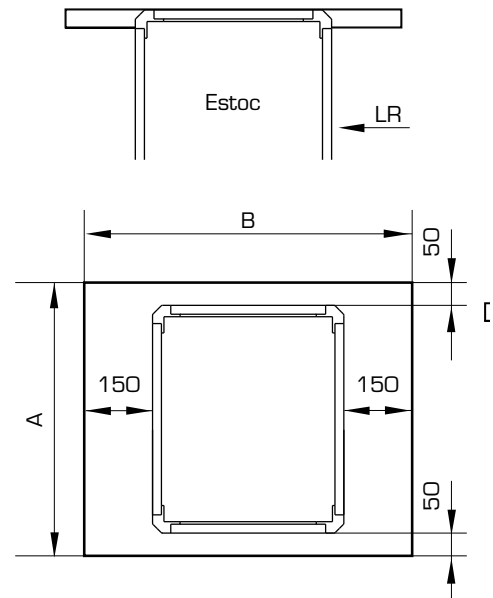
Product Code	Product Number	A	B
ESTOC/ESTOC EC 50-355	BI101054	300	450
ESTOC/ESTOC EC 67-400	BI101055	380	620
ESTOC/ESTOC EC 67-500	BI101055	380	620
ESTOC/ESTOC EC 80-560	BI101057	430	720
ESTOC/ESTOC EC 80-630	BI101057	430	720
ESTOC/ESTOC EC 102-710	BI101059	520	940

Product Code	Product Number	A	B
ESTOC TARGE50-355	BI101107	300	240
ESTOC TARGE 67-400	BI101108	380	280
ESTOC TARGE 67-450	BI101108	380	280
ESTOC TARGE 80-500	BI101110	430	360
ESTOC TARGE 80-560	BI101110	430	360
ESTOC TARGE 80-630	BI101110	430	360
ESTOC TARGE 102-630	BI101113	520	420

## SWR - Roof Weather Protection



Additional protection when mounted outside made of corrosion-resistant aluminium.



Product Code	Product Number	A	B
ESTOC/ESTOC EC 50-355	BI101060	600	800
ESTOC/ESTOC EC 67-400	BI101061	770	970
ESTOC/ESTOC EC 67-450	BI101061	enq	enq
ESTOC/ESTOC EC 67-500	BI101061	770	970
ESTOC/ESTOC EC 80-560	BI101063	900	1100
ESTOC/ESTOC EC 80-630	BI101063	900	1100
ESTOC/ESTOC EC 102-710	BI101065	1120	1320

Product Code	Product Number	A	B
ESTOC TARGE 50-355	BI101121	600	720
ESTOC TARGE 67-400	BI101122	770	800
ESTOC TARGE 67-450	BI101122	770	800
ESTOC TARGE 67-500	BI101124	900	890
ESTOC TARGE 80-560	BI101125	900	1040
ESTOC TARGE 80-630	BI101126	900	1100
ESTOC TARGE 102-710	BI101127	1120	1180

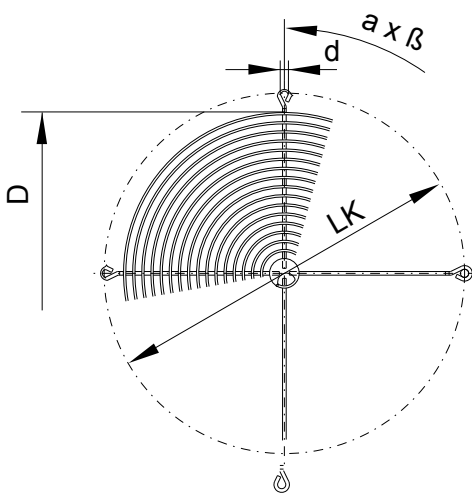
All dimensions shown in mm

# Accessories

## SIG - Protection Guard



Protection guard for suction side cover made of steel.

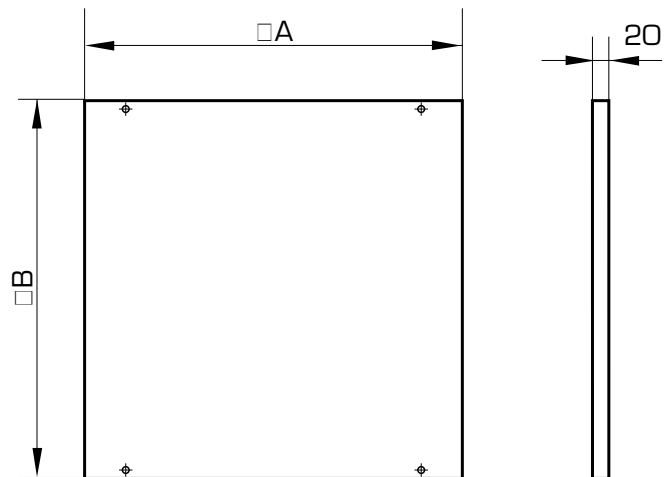


Product Code	Product Number	D	LK	d	a x β
ESTOC/ESTOC EC 50-355	BI101066	270	320	9	3x120°
ESTOC/ESTOC EC 67-400	BI101067	310	356	9	3x120°
ESTOC/ESTOC EC 67-450	BI101068	350	395	9	4x90°
ESTOC/ESTOC EC 67-500	BI101069	390	438	9	4x90°
ESTOC/ESTOC EC 80-560	BI101070	450	490	11,5	4x90°
ESTOC/ESTOC EC 80-630	BI101071	490	541	11,5	4x90°
ESTOC/ESTOC EC 102-710	BI101072	630	674	11,5	8x45°

## SSC - Side Covering



For covering of casing sides with integrated insulating.



Product Code	Product Number	A	B
ESTOC/ESTOC EC 50-355	BI101036	450	450
ESTOC/ESTOC EC 67-400	BI101037	620	620
ESTOC/ESTOC EC 67-500	BI101037	620	620
ESTOC/ESTOC EC 80-560	BI101039	720	720
ESTOC/ESTOC EC 80-630	BI101039	720	720
ESTOC/ESTOC EC 102-710	BI101041	940	940

Product Code	Product Number	A	B
ESTOC TARGE 50-355	BI101081	450	340
ESTOC TARGE 67-400	BI101082	590	420
ESTOC TARGE 67-450	BI101082	590	420
ESTOC TARGE 80-500	BI101084	720	510
ESTOC TARGE 80-560	BI101085	720	220
ESTOC TARGE 80-560	BI101086	720	360
ESTOC TARGE 80-560	BI101087	720	280
ESTOC TARGE 80-630	BI101085	720	220
ESTOC TARGE 80-630	BI101086	720	360
ESTOC TARGE 80-630	BI101087	720	280
ESTOC TARGE 102-630	BI101091	940	300
ESTOC TARGE 102-630	BI101092	940	420

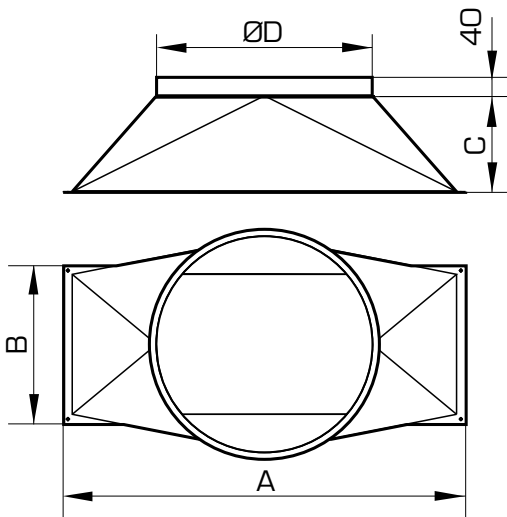
All dimensions shown in mm

# Accessories

## STP - Adapter Piece (Estoc Targe only)



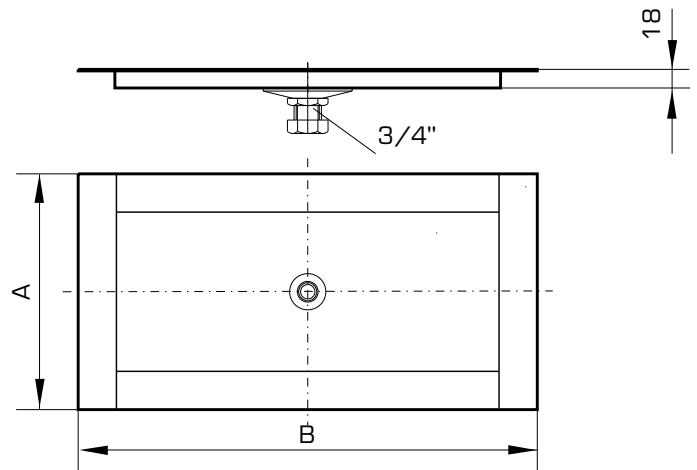
Allows seamless intersection on outlet side on a standard diameter, made of galvanized sheet steel.



## SDT - Drip Tray (Estoc Targe only)



For absorbing of condensation with discharge nozzles for flexible tube connection. Connection: 3/4".



Product Code	Product Number	A	B	C	ØD	Hole (St./Pcs.)
ESTOC TARGE 50-355	BI101114	418	238	250	355	4
ESTOC TARGE 67-400	BI101115	588	278	280	450	6
ESTOC TARGE 67-450	BI101115	588	278	280	450	6
ESTOC TARGE 80-500	BI101117	718	358	320	560	6
ESTOC TARGE 80-560	BI101117	718	358	320	560	6
ESTOC TARGE 80-630	BI101117	718	358	320	560	6
ESTOC TARGE 102-630	BI101120	938	418	400	630	8

Product Code	Product Number	A	B
ESTOC TARGE 50-355	BI101128	268	448
ESTOC TARGE 67-400	BI101129	308	618
ESTOC TARGE 67-450	BI101129	308	618
ESTOC TARGE 80-500	BI101131	368	748
ESTOC TARGE 80-560	BI101132	388	748
ESTOC TARGE 80-630	BI101132	388	748
ESTOC TARGE 102-630	BI101134	448	968

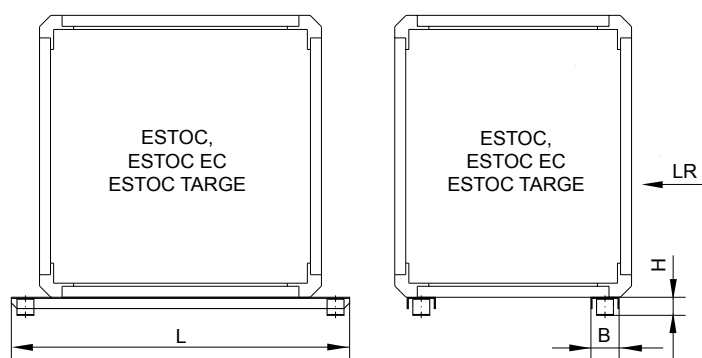
All dimensions shown in mm

# Accessories

## SMT - Mounting Track



For quick and easy assembly. One delivery set contains two pieces.



	Part Code	Part Number	L	B	H
ESTOC TARGE 50-355	ESTOC/ESTOC EC 50-355	B101135	600	50	32
ESTOC TARGE 67-400	ESTOC/ESTOC EC 67-400	B101136	770	50	32
ESTOC TARGE 67-450	ESTOC/ESTOC EC 67-450	B101136	770	50	32
ESTOC TARGE 80-500	ESTOC/ESTOC EC 80-500	B101136	900	60	52.5
ESTOC TARGE 80-560	ESTOC/ESTOC EC 80-560	B101138	900	60	52.5
ESTOC TARGE 80-630	ESTOC/ESTOC EC 80-630	B101138	900	60	52.5
ESTOC TARGE 102-630	ESTOC/ESTOC EC 102-630	B101141	1120	60	52.5

All dimensions shown in mm