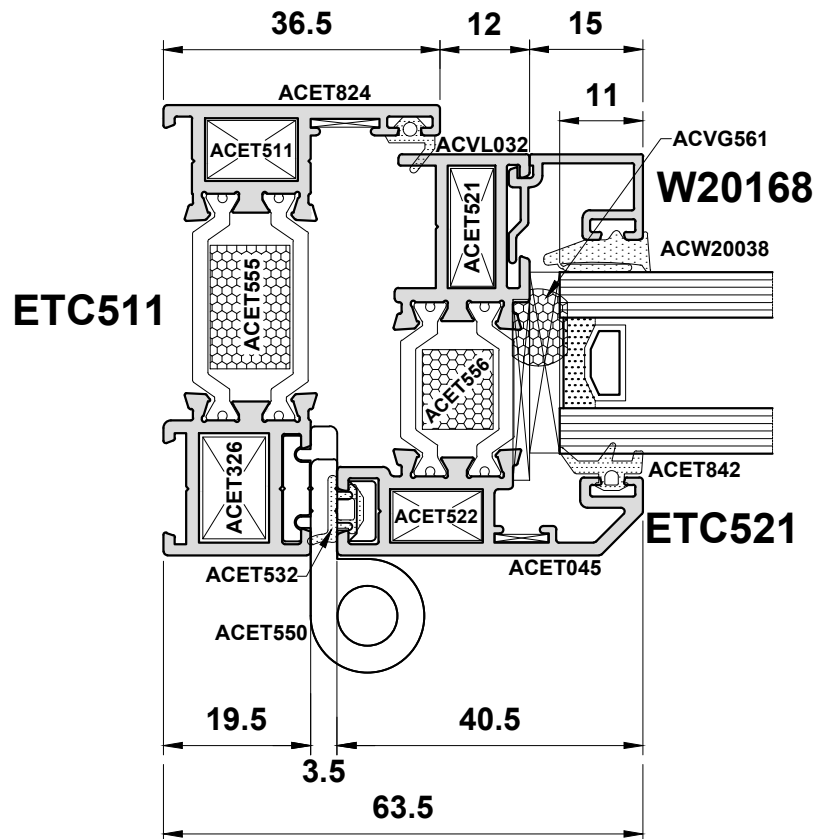
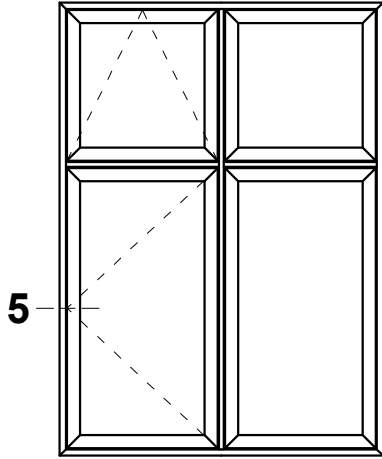


Detail 5



Do Not Scale From This Drawing