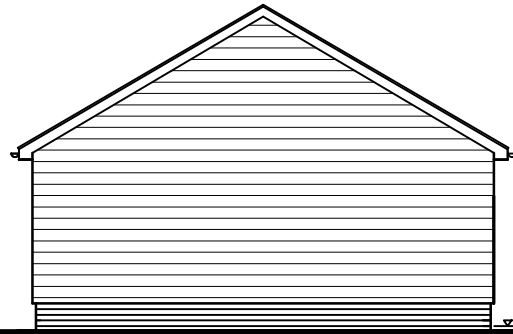
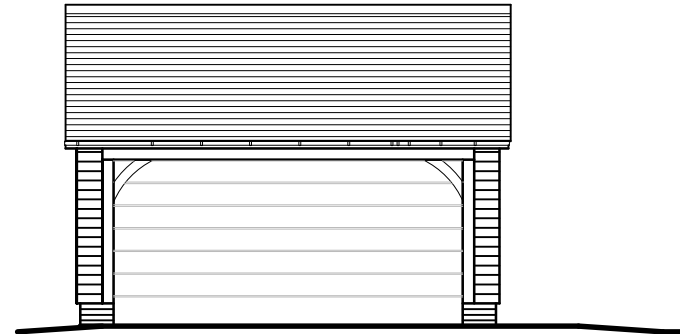




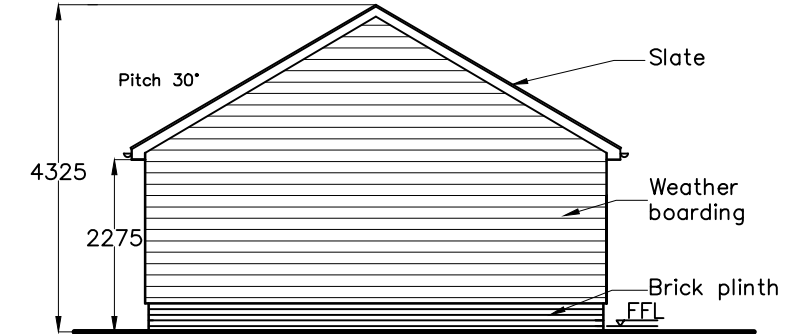
NORTH ELEVATION



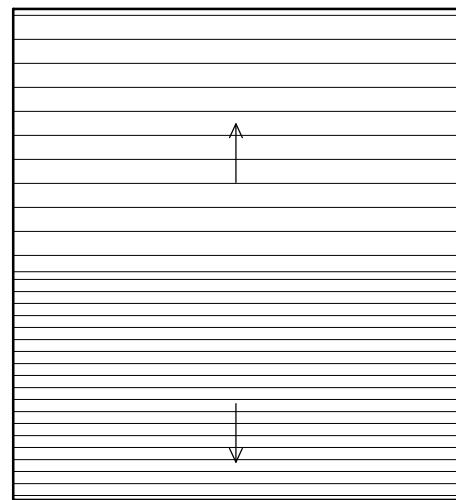
WEST ELEVATION



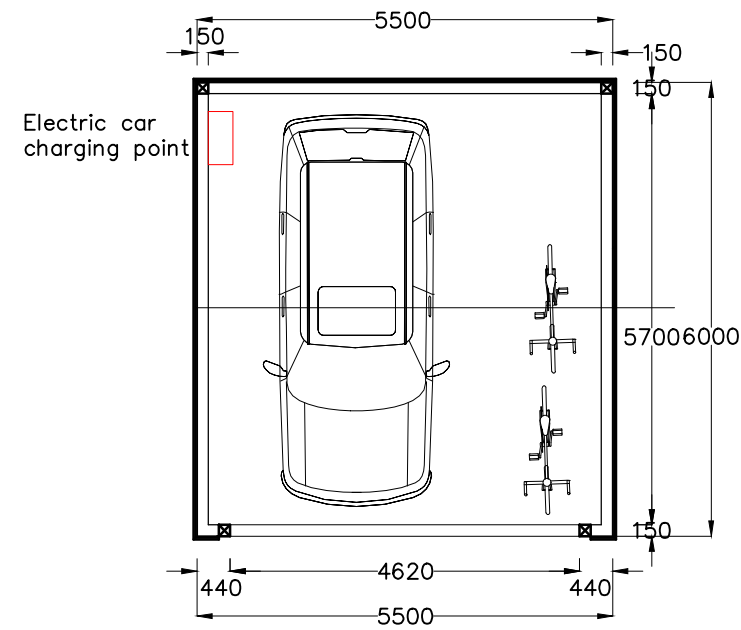
SOUTH ELEVATION



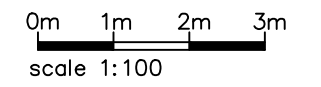
EAST ELEVATION



ROOF PLAN



CARTLODGE PLAN
1:100



revision	description	date
Rev A.	dimensions amended	Aug 2023
Rev B.	General amendments	Sept 2023

Client: Naomi Hull

Job Title: Corner Farm, Hoxne

Drawing Title: Barn A - Proposed Cartlodge

Scale: 1:100 Drawn By: LS Date: Aug 2023

Job Number: 6424 Drawing Number: 36B Status: Preliminary



Chartered Architects & Chartered Building Surveyors
Unit 12 Park Farm, Fornham St Genevieve, Bury St Edmunds, IP28 6TS
01284 760421 info@whitworth.co.uk www.whitworth.co.uk

NOTE:
Do not scale from this drawing except for the purposes of planning. Confirm all dimensions on site. Refer any discrepancies to the Architect before work is put in hand. Read this drawing in conjunction with the relevant sections of the specification, schedule of works and other drawings.

This drawing is copyright of whitworth.