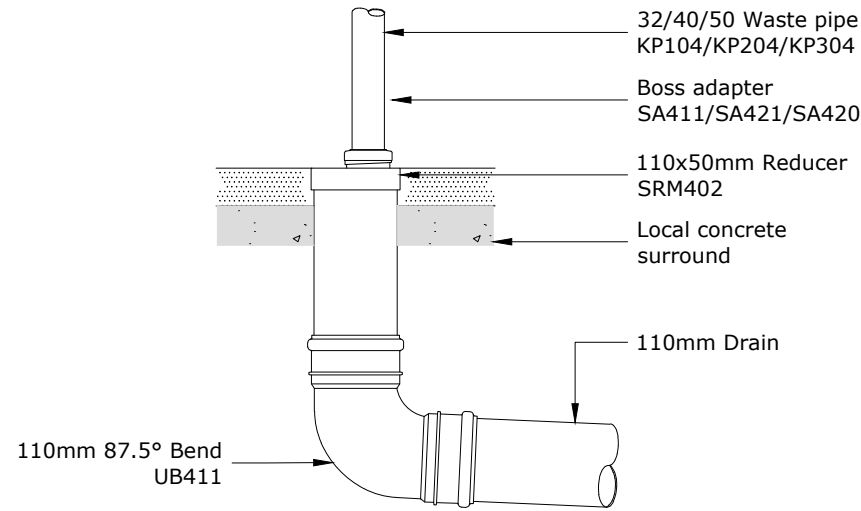
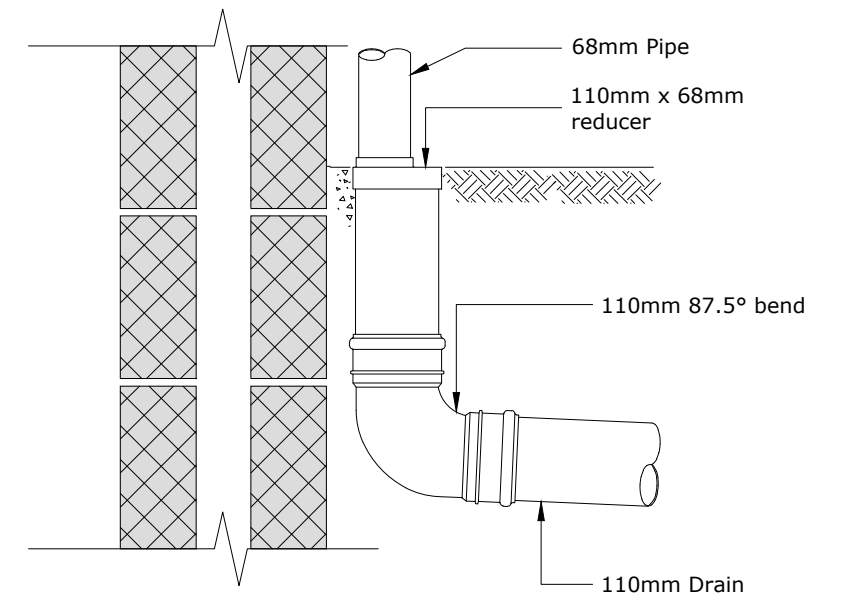


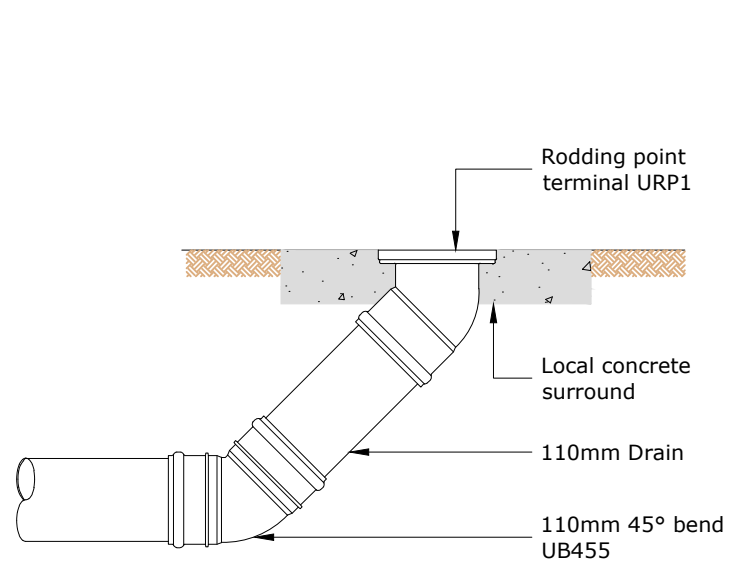
TYPICAL 110mm BRANCH CONNECTION



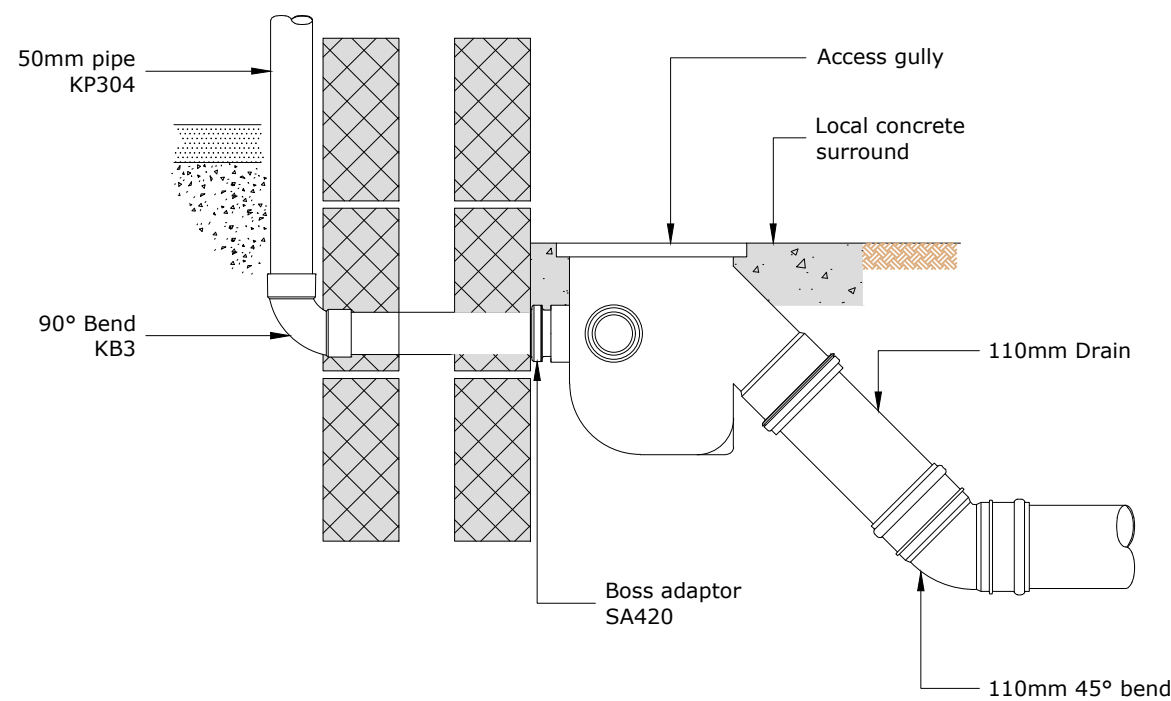
TYPICAL STUB WASTE CONNECTION TO DRAIN



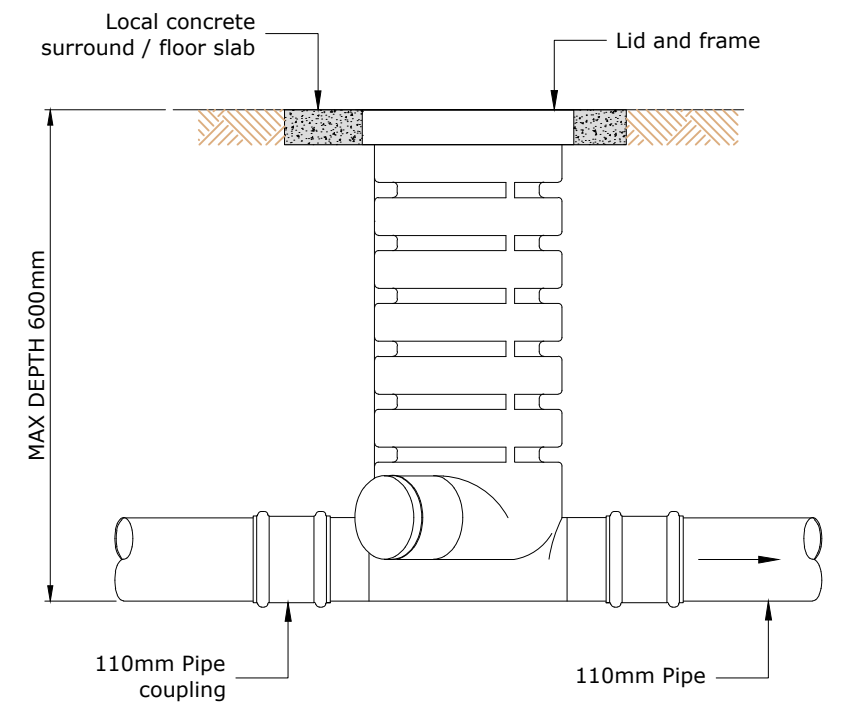
TYPICAL 68mm R.W.P. CONNECTION TO 110mm PVC-U DRAIN



TYPICAL HEAD OF DRAIN RODDING POINT



TYPICAL BACK INLET CONNECTION TO ACCESS GULLY



TYPICAL 250mm INSPECTION CHAMBER