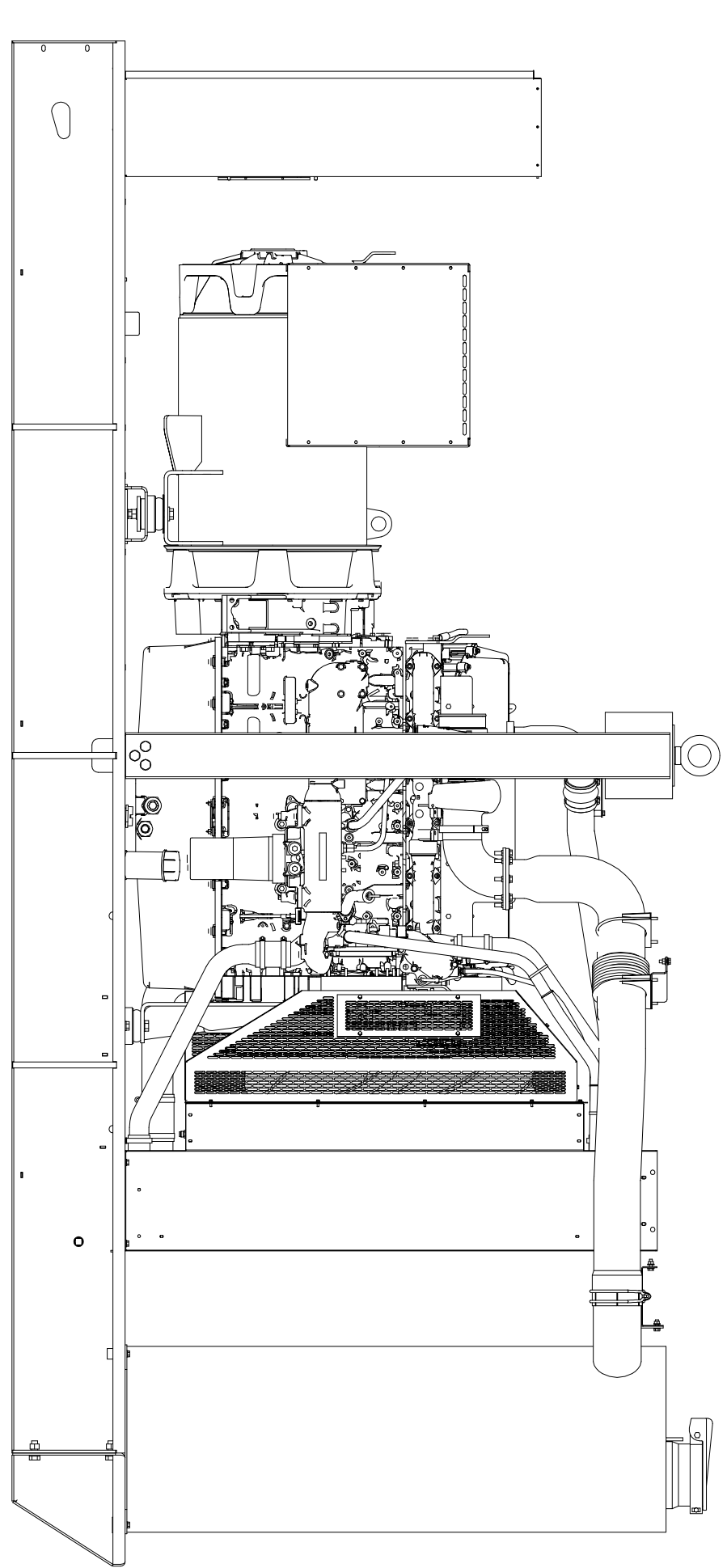


TANKBASE PLAN SHOWING SOCKET LAYOUT

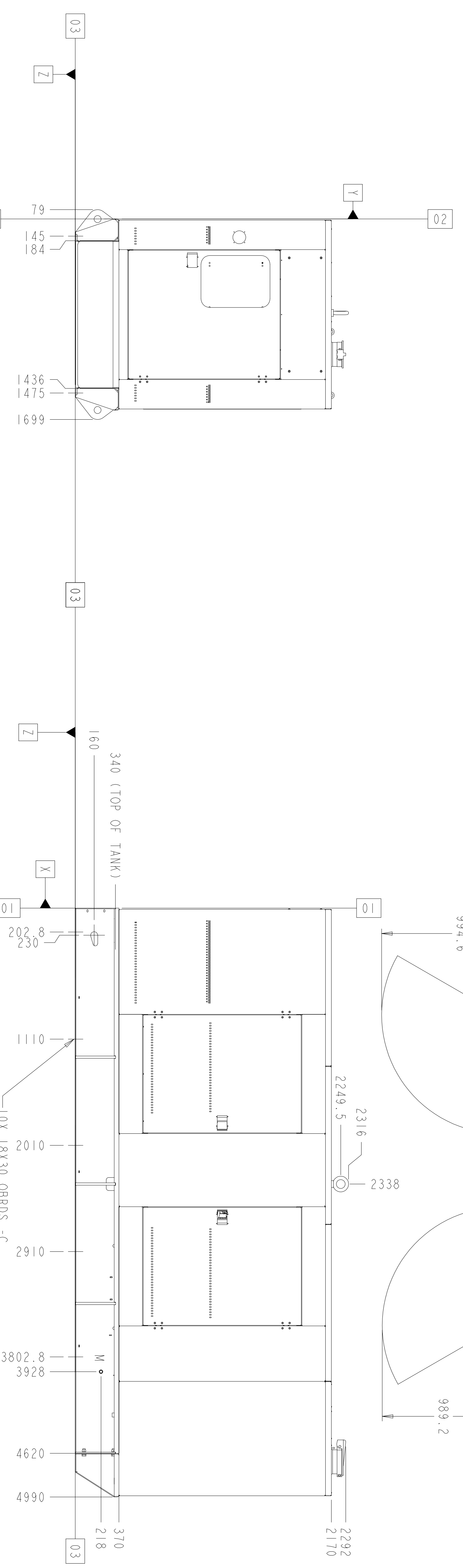
ENG/ALT OPTION	MASS (KG)	
	WITH OIL	WITH OIL & WATER
2506*/LL6114D	?	?
2506*/LL6114F	?	?
2506*/LL6114G	?	?

BASE	TANK CAPACITY (LITRES)	
	TO FILL	TO USE
294-4413	939	894

SOCKET	DESCRIPTION	DIM X	DIM Y	DIM Z
A	FUEL RETURN 1 1/2" BSP	3501	1310	205
B	FUEL FILL 1 1/2" BSP	2736	340	321
C	FUEL FILL 3" BSP	2696	1290	321
D	FUEL FILL GAUGE 1 1/2" BSP	2536.6	1290	324
E	REMOTE FUEL RETURN 1 1/2" BSP	2292.6	350	328
F	REMOTE FUEL SUPPLY 1" BSP	925	350	340
G	TANK VENT 1" BSP	1265	1270	340
H	LEVEL SWITCH 1" BSP	925	1270	340
J	REMOTE FUEL LOCATION RETURN	2730	130	370
K	REMOTE FUEL LOCATION FEED	2850	130	370
M	SPILLAGE DRAIN 3/4" BSP	3928	1436	218
N	LEAK DETECTION SENSOR 1" BSP	526	410	340
O	LEAKAGE PUMP LOCATION	501	1210	340
-	APPROX COG FOR GENSET (2506*/LL6114D)	?	?	?
-	APPROX COG FOR GENSET (2506*/LL6114F)	?	?	?
-	APPROX COG FOR GENSET (2506*/LL6114G)	?	?	?



CANOPY REMOVAL



A FIRST ISSUE		ECR BY		DATE	
ISSUE DESCRIPTION		1		2	
3		4		5	
6		7		8	

TOLERANCES EXCEPT WHERE OTHERWISE STATED
 500 - 2000mm ± 2mm
 OVER 2000mm ± 3mm
 STRUCTURAL ± 1mm
 ANGLE ± 1°

THIS DRAWING IS COPYRIGHTED AND MAY BE COPIED ONLY FOR THE PURPOSES OF MAINTAINING THE PURCHASED EQUIPMENT BY THE PURCHASER. ALL DIMENSIONS IN MILLIMETRES UNLESS OTHERWISE STATED. DO NOT SCALE.

DRN. BY S DOWNES
 DATE 29-May-06
 TITLE GA OF PERKINS 2506 DEFRA TANK SA CANOPY SET
 SHEET SIZE A1
 ORIGINAL SCALE 1:20
 DRAWING NO/ISSUE: MGA7033 00