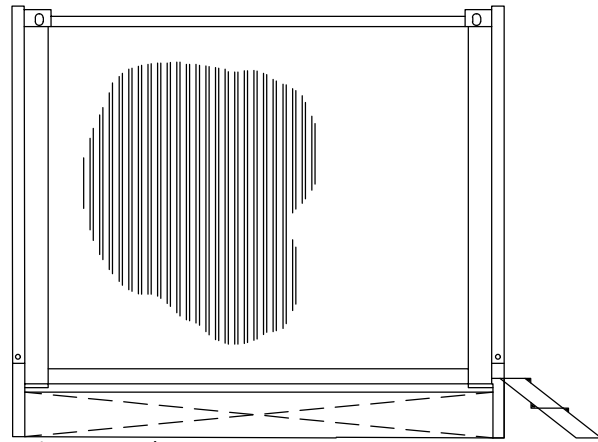
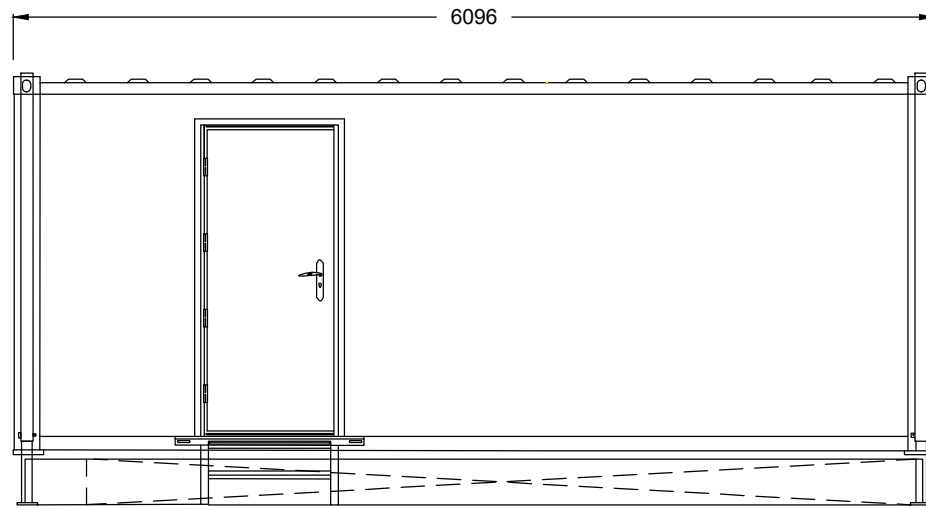


View C-C



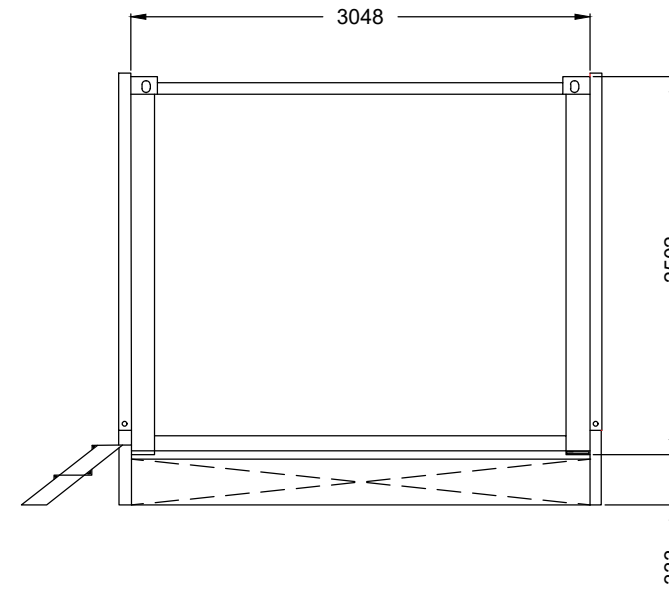
Unit supported on Jacklegs

View A-A

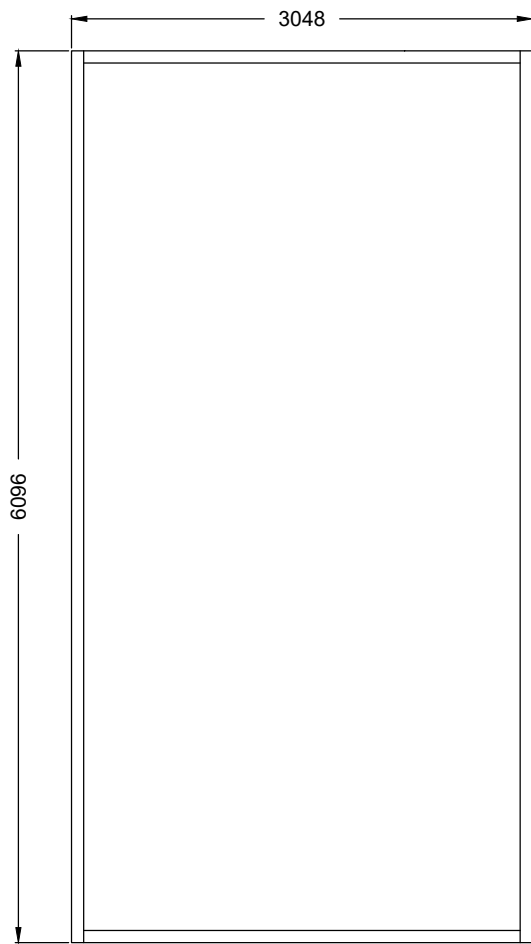


Pre Fabricated Steel Stairs Bolted To Unit

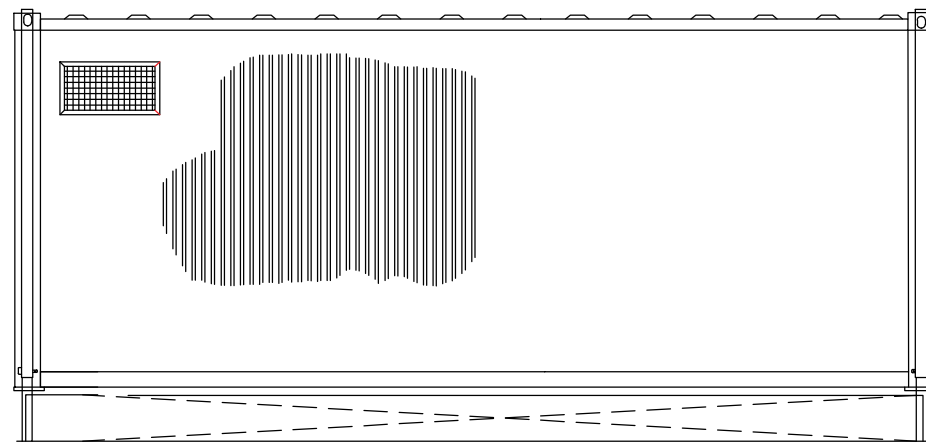
View B-B



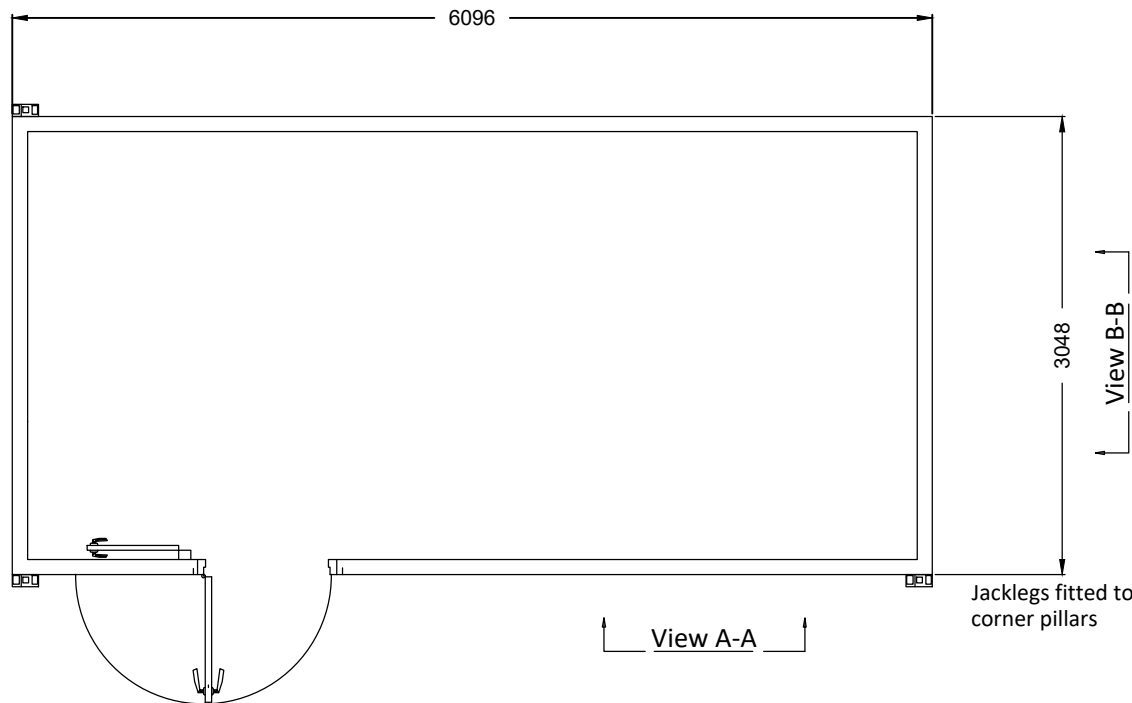
Roof Plan



View D-D



View D-D



Jacklegs fitted to corner pillars



SCALE 1:50

PLANNING PLAN

LEGEND:

rev	revision notes	date
REVISIONS		

Planning

ALL DIMENSIONS TO BE CHECKED ON SITE
WORK TO FIGURED DIMENSIONS ONLY
REPORT DISCREPANCIES TO THE GFP
AT ONCE BEFORE PROCEEDING
COPYRIGHT ACT APPLIES



Green Frog Power Ltd, Gorsey Lane, Colehill, Birmingham B46 1JA
Tel: 01675 437777

Project Title:

STANDARD DRAWING

Drawing Title:

SWITCHROOM

Scale @A3: 1:50 Date: 26.09.23

Drawn: RA Checked: DS

Drawing No: Rev:

STD-SR-136 -