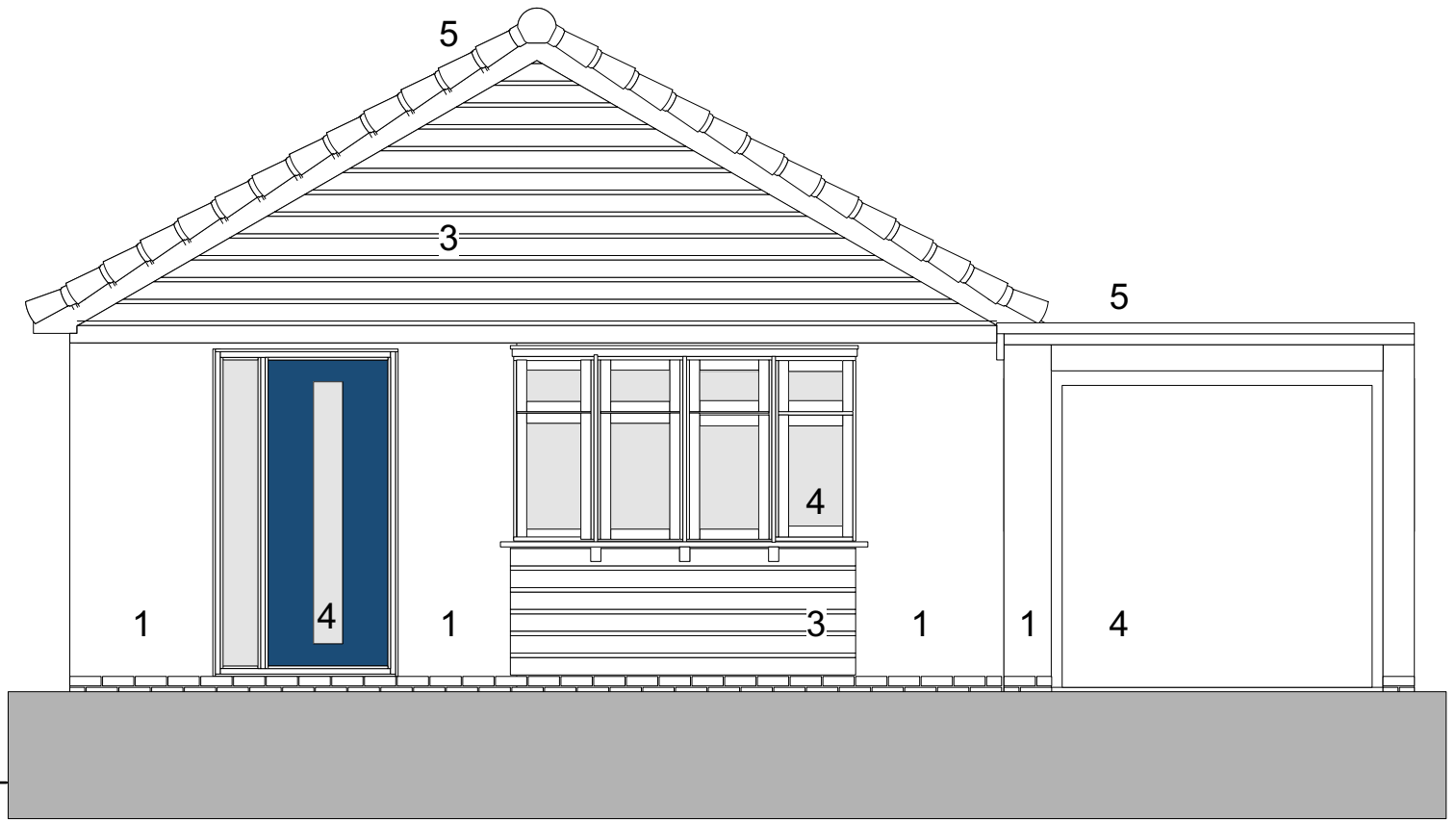


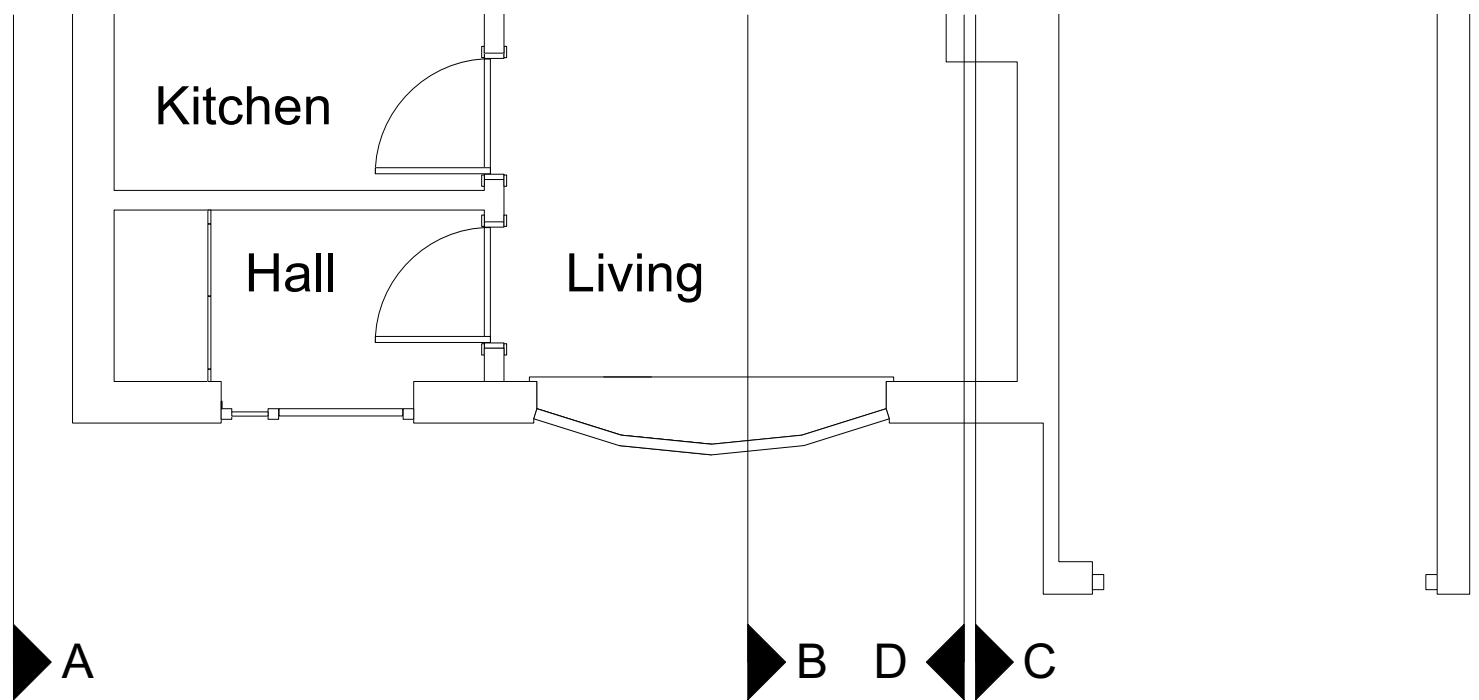
Key

- 1-Facing brickwork
- 2-Feature Brick Detail
- 3-Existing Timber Cladding
- 4-Existing door/window
- 5-Board Fascia/Eaves
- 6-Concrete Tile
- 7-Replacement door/window
- 8-New Composite Cladding
- 9-New Fascia/Eaves
- 10-New Concrete Tile



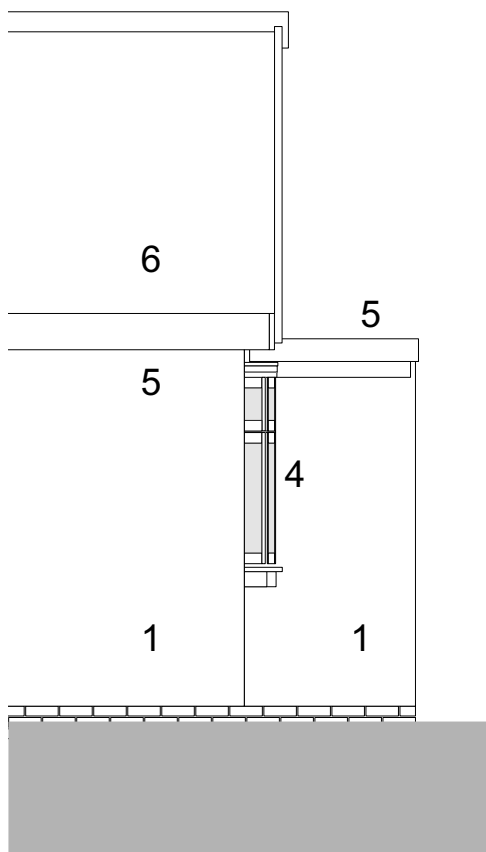
1 Front Elevation

Scale: 1:50



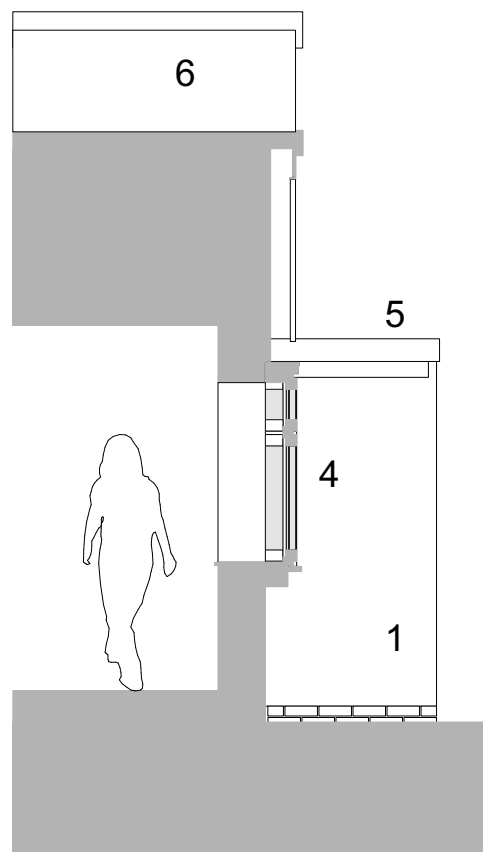
2 Plan

Scale: 1:50



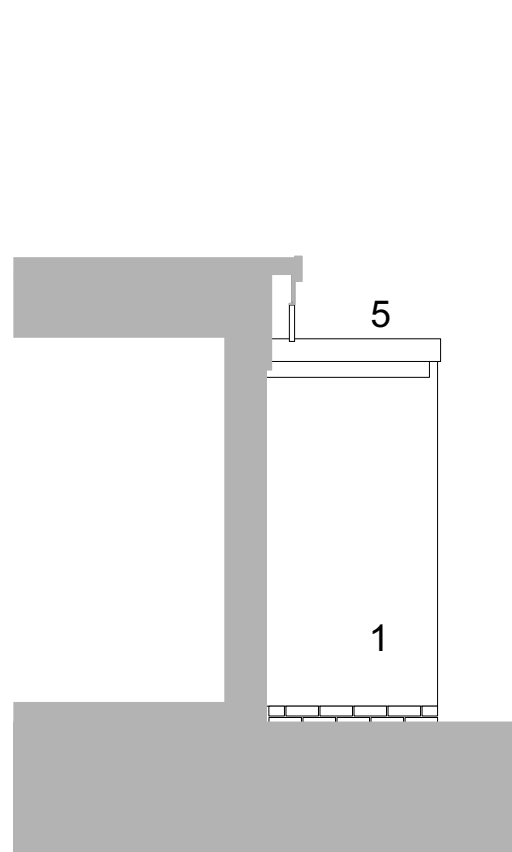
3 Elevation A

Scale: 1:50



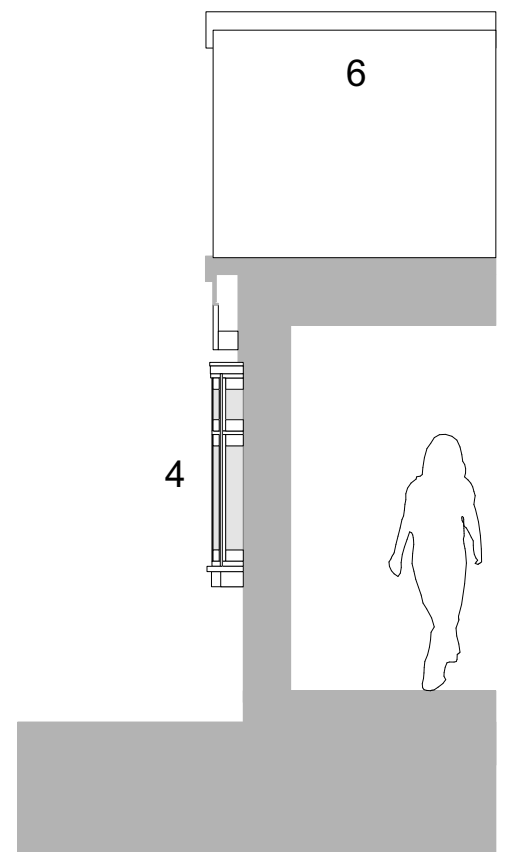
4 Section B

Scale: 1:50



6 Section C

Scale: 1:50



5 Section D

Scale: 1:50



Copyright © 2023 Fitzgerald Architecture. All rights reserved

Fitzgerald architecture

4A Shepherds Way Everton,
Hampshire, SO41 0DB.
T +44(0)1590 644154
F +44(0)1590 644154
E info@fitzgeraldarchitecture.com
W www.fitzgeraldarchitecture.com

Revisions:

-
-
-
-
-

Works to 27 Pinewood Road
ALTERATIONS TO FRONT
General Arrangement
Plans/ Elevations/Sections-Existing
Date: 28.09.23 Scale: 1:50@A3 Project No: 23141

Cadd file:
141P002-X.vwx
Issue for:
PLANNING APPLICATION
Drawing No:
141/P/002

Rev: -

