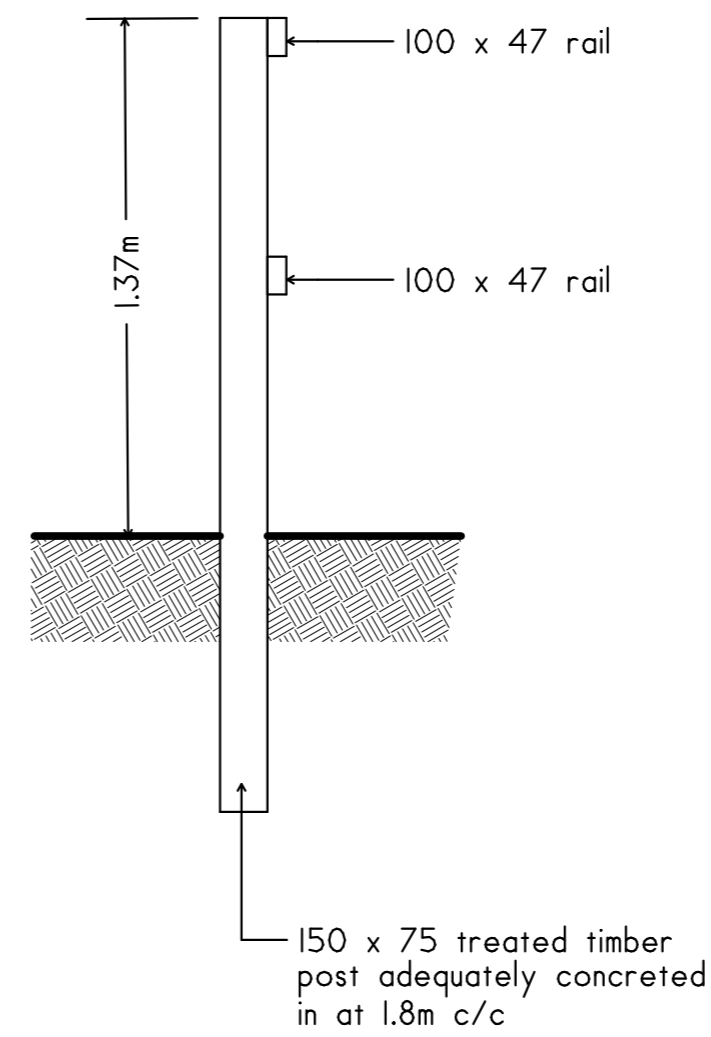
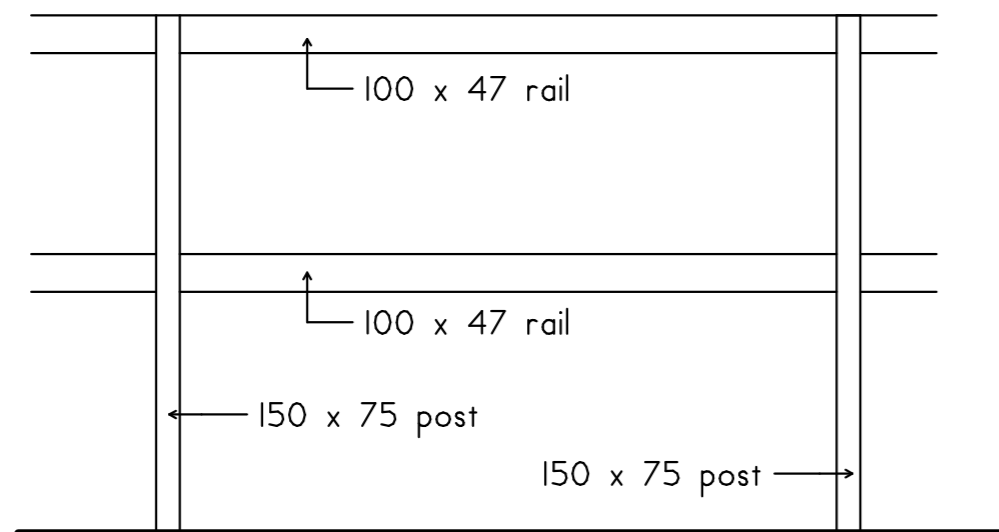


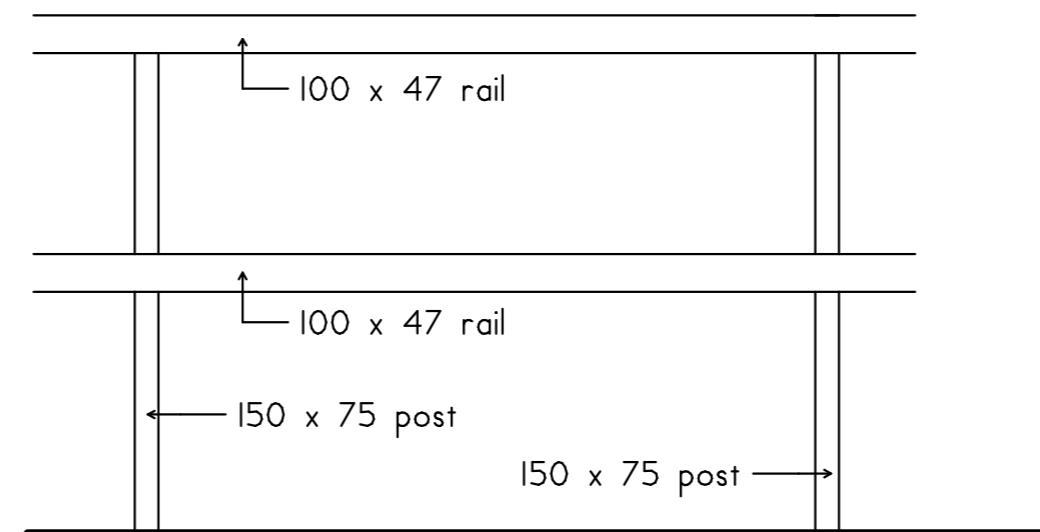
Edge detail - Lunge pen 1:20



Post and rail fence detail 1:20



Post and rail fence
External elevation 1:20



Post and rail fence
Internal elevation 1:20

Post and rail fencing to be constructed of natural treated timber
No paint or other finishes to be applied.



A2
1:20

REV	DATE	DESCRIPTION
-----	------	-------------

CLIENT:
DS

DRAWING TITLE:
Arena fence details

DSEQUINE

www.dsequine.com
07831 758231

REVISION	SCALE	As shown
	DATE	June 22
	DRAWN BY	
	CHECKED BY	

DRAWING No.
DSI