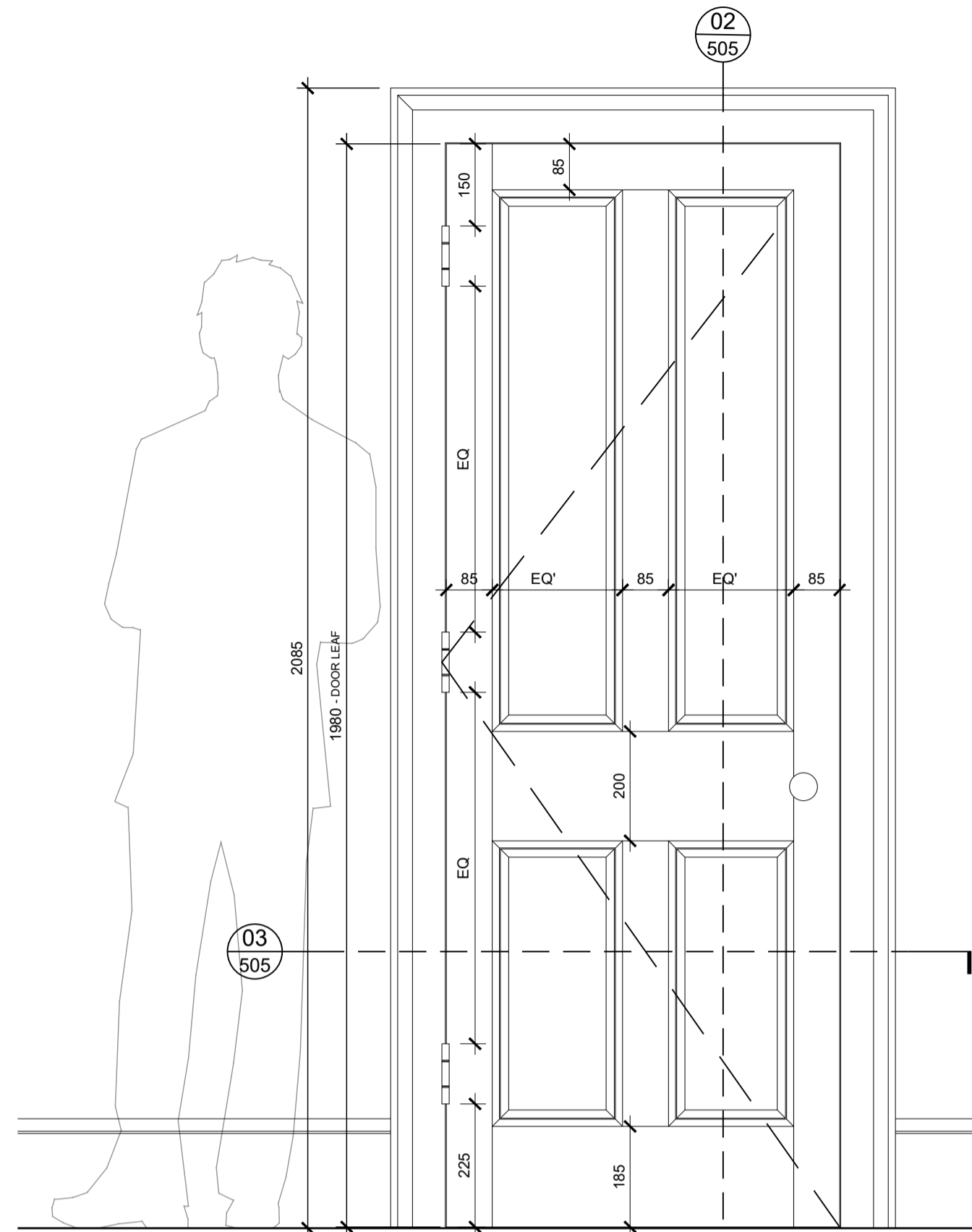
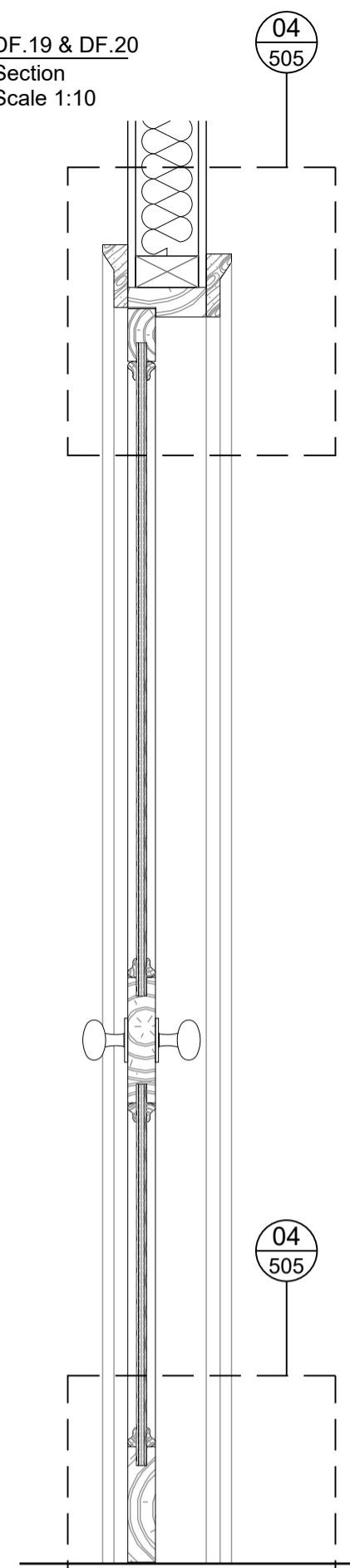


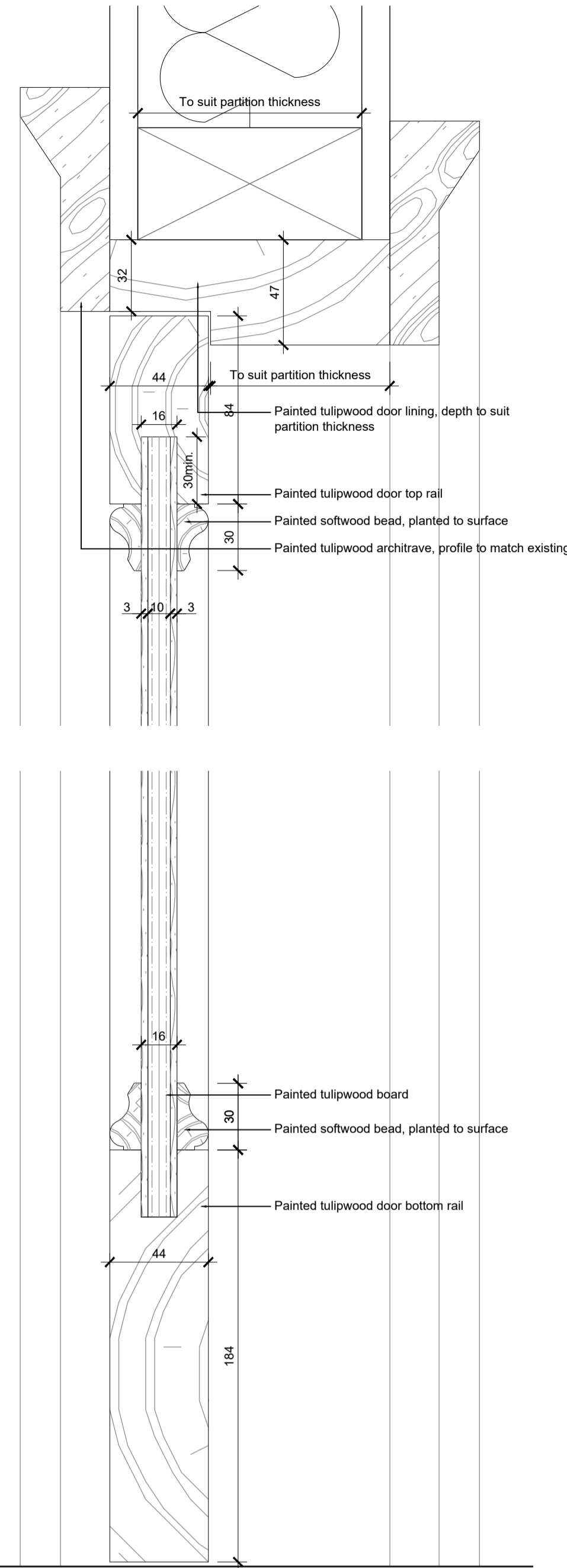
01 DF.19 & DF.20  
505 Elevation  
Scale 1:10



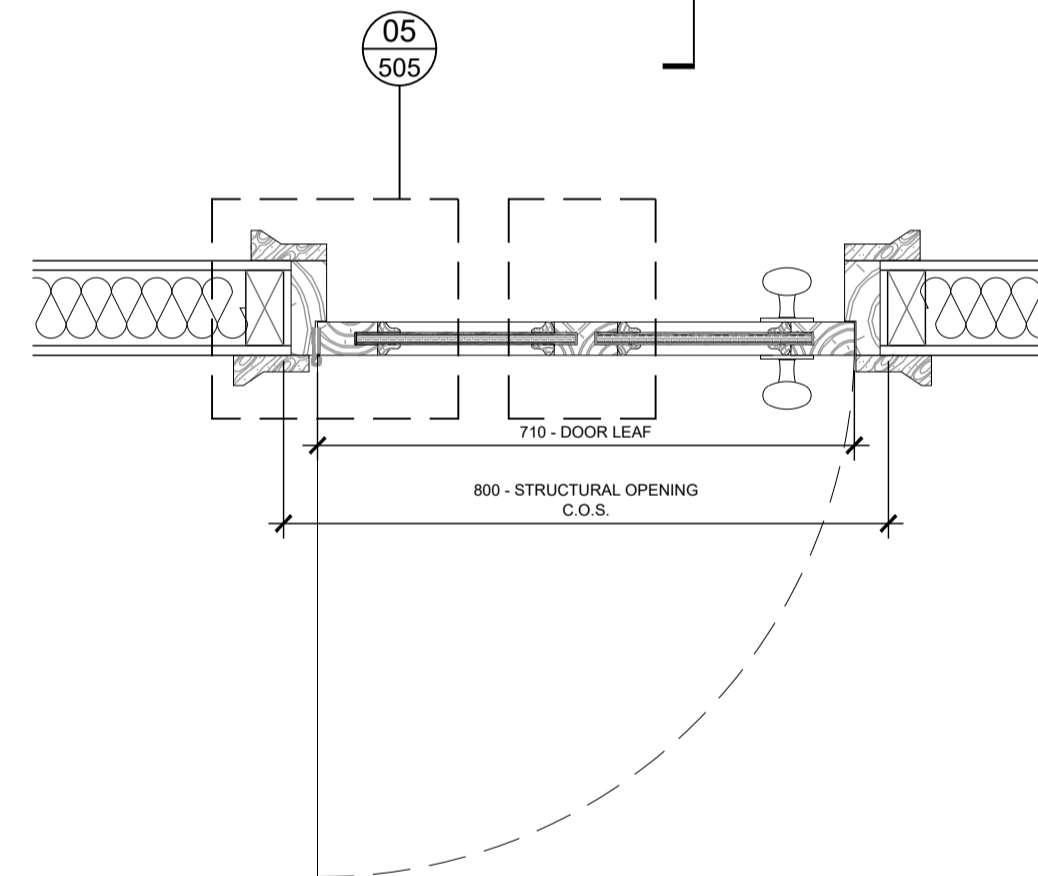
02 DF.19 & DF.20  
505 Section  
Scale 1:10



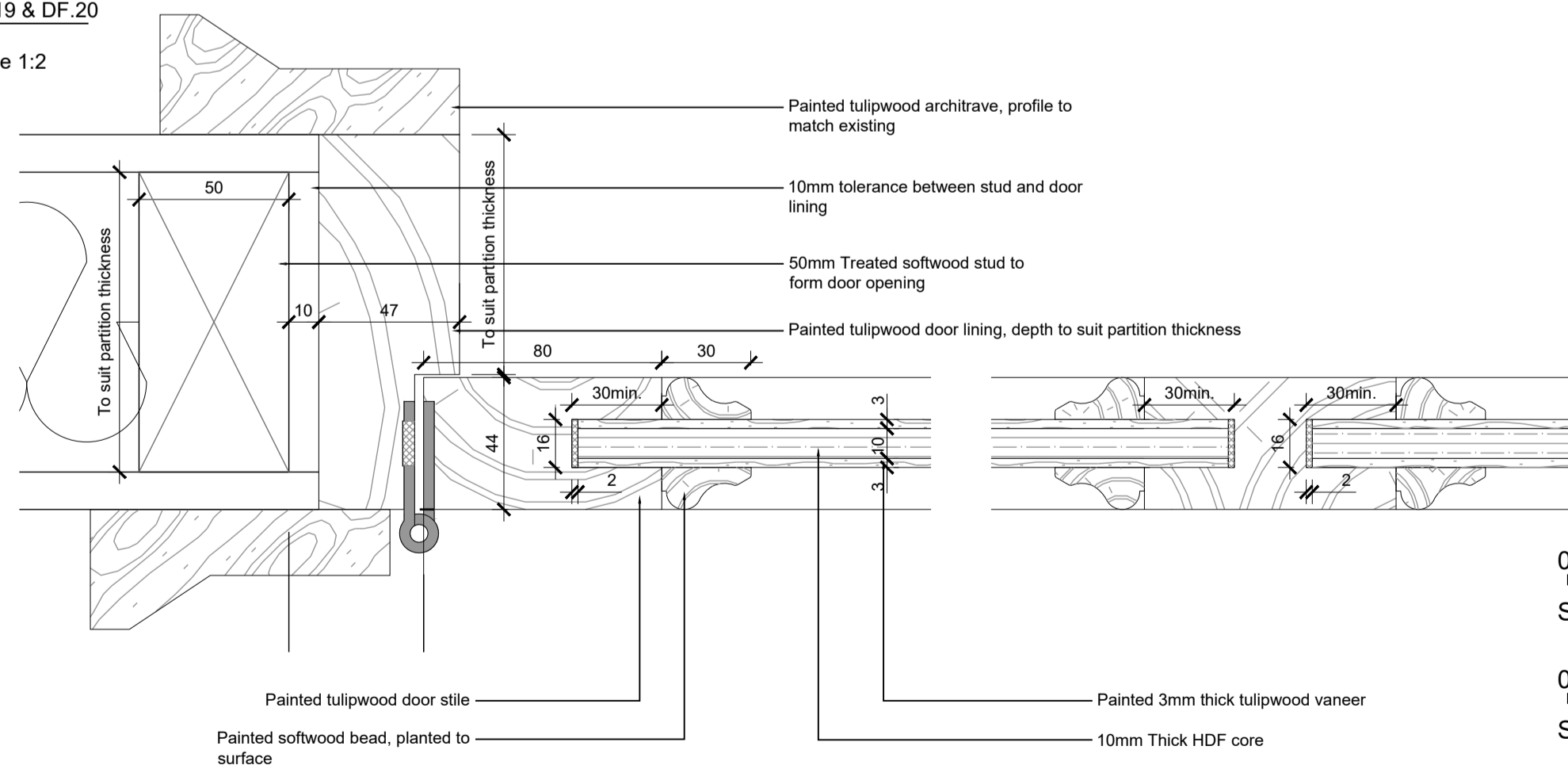
04 DF.19 & DF.20  
505 Section detail  
Scale 1:5



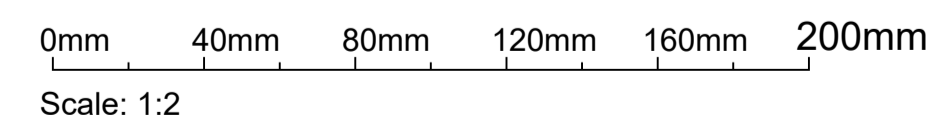
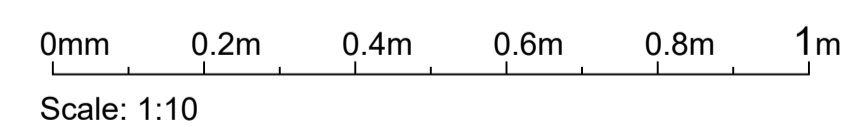
03 DF.19 & DF.20  
505 Plan  
Scale 1:10



05 DF.19 & DF.20  
505 Plan  
Scale 1:2



**PLANNING**



**SIMON MORRAY-JONES**  
CHARTERED ARCHITECTS & DESIGNERS  
21 MILSOM STREET, BATH BA1 1DE  
TEL: 01225 787900 FAX: 01225 787901  
EMAIL: sm@sm-j.com

Notes  
© SIMON MORRAY-JONES.

P1 - Issue for Planning  
Revision

Client  
**Alexia Drinkall-Gash**  
Project  
**Park Cottage, Marston Bigot, Frome, BA11 5DH**  
Drawing Title  
**Proposed Doors - DF.19, DF.20**

29.09.2023  
Date

Scale @ A1  
1:10/ 1:2

Drawn By  
ILC

Date  
Sep 2023

Job Number  
1279

Drawing Number  
505

Revision  
P1