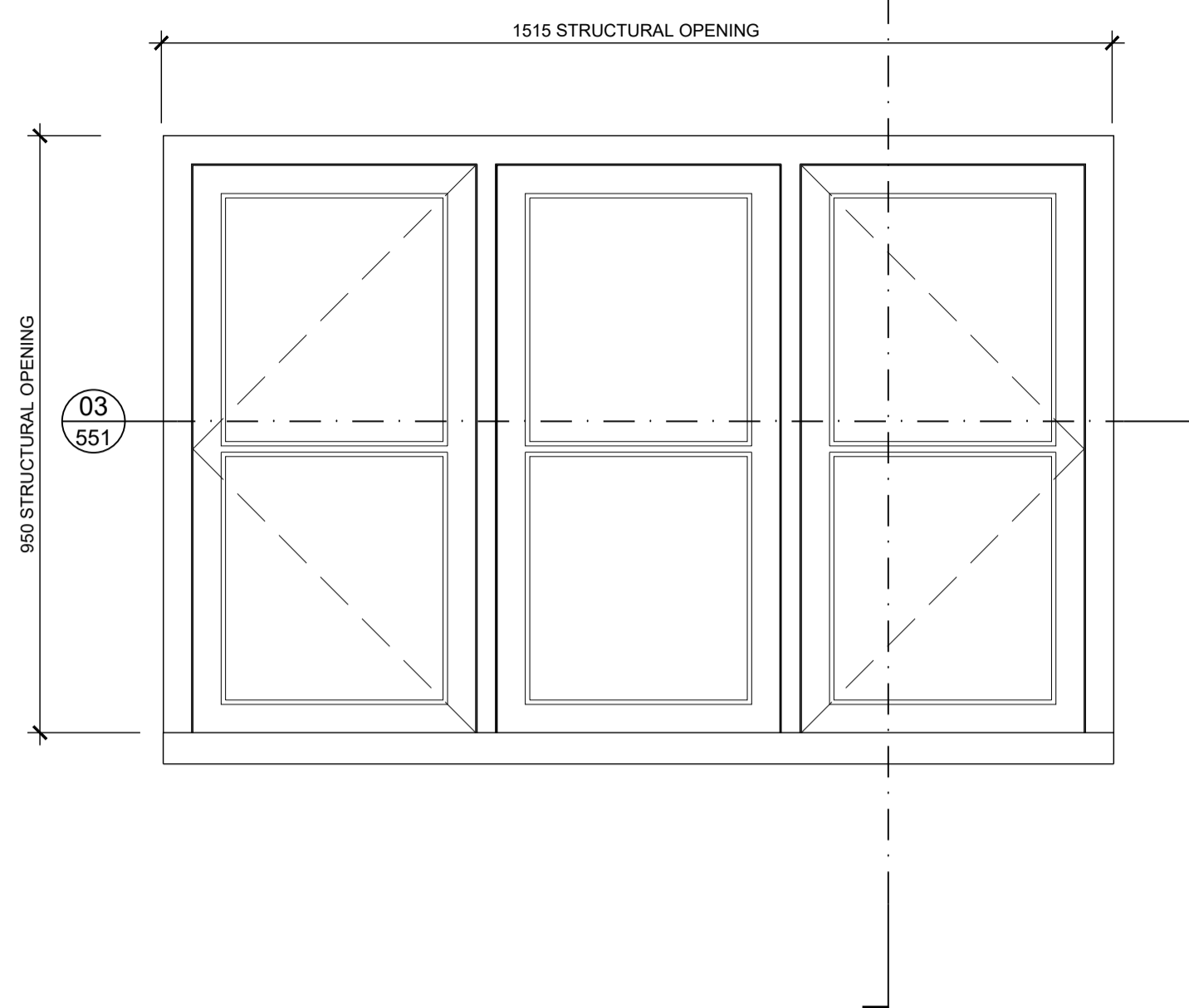
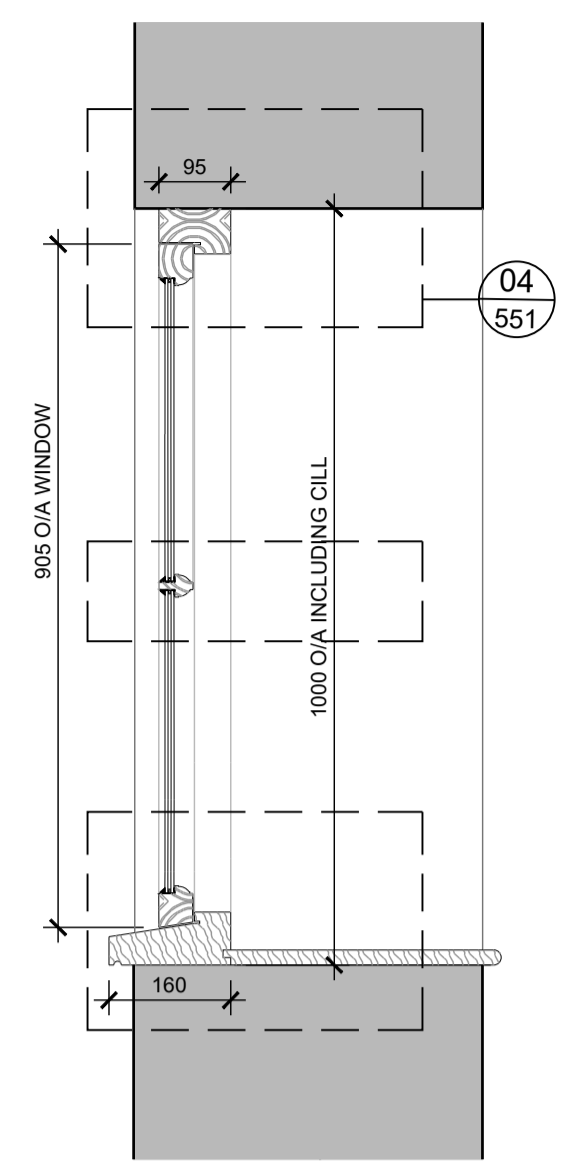


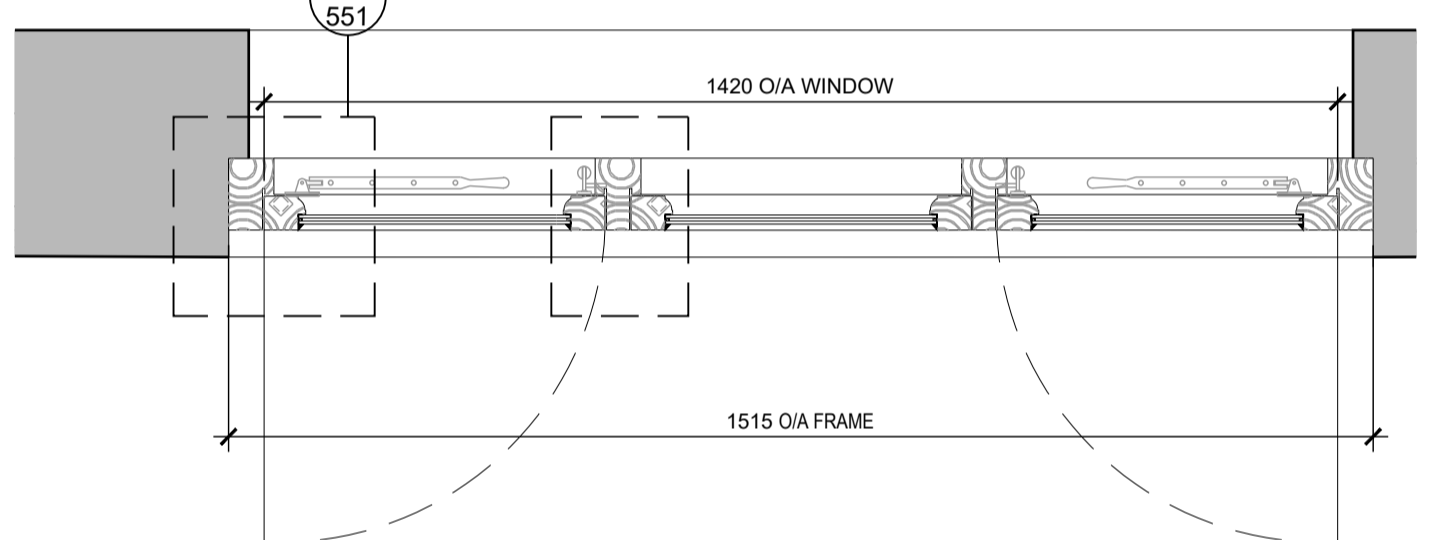
01 WF.21, WF.22 & WF.23
551 Elevation
Scale 1:10



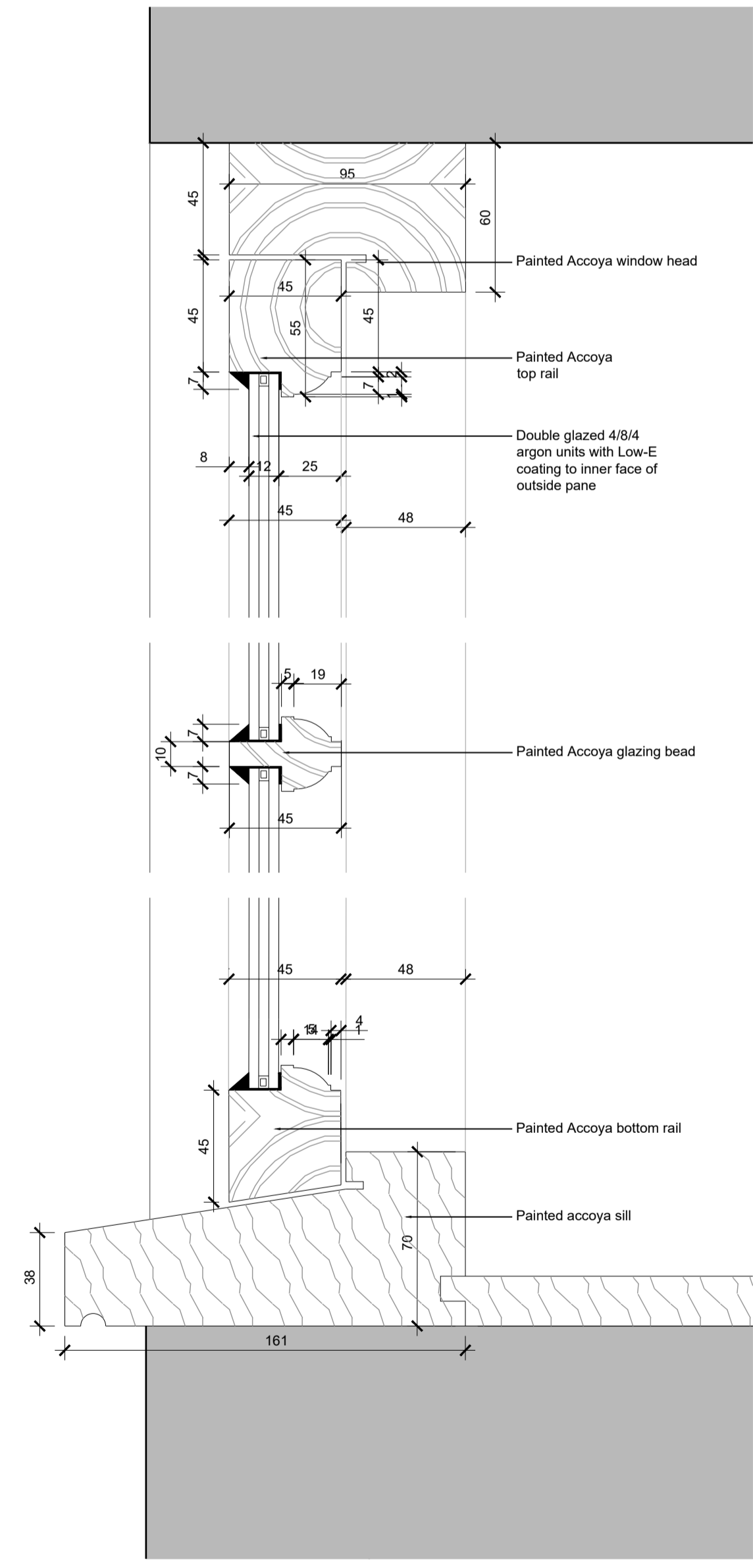
02 WF.21, WF.22 & WF.23
551 Section
Scale 1:10



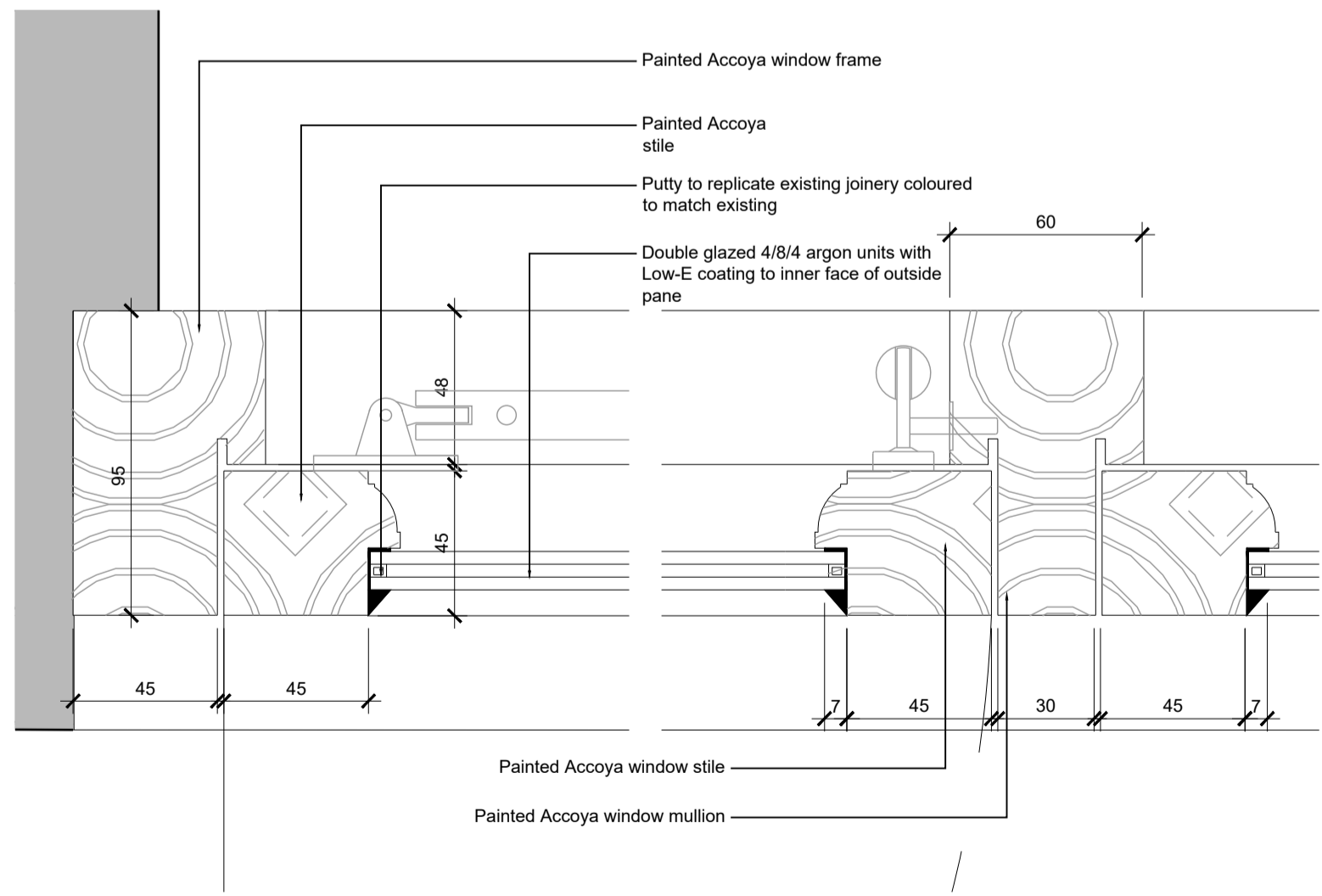
03 WF.21, WF.22 & WF.23
551 Plan
Scale 1:10



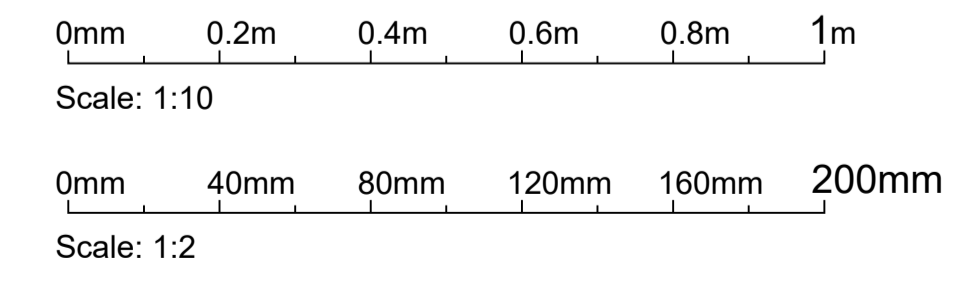
04 WF.21, WF.22 & WF.23
551 Section
Scale 1:2



05 WF.21, WF.22 & WF.23
551 Plan
Scale 1:2



PLANNING



SIMON MORRAY-JONES
CHARTERED ARCHITECTS & DESIGNERS

21 MILSOM STREET, BATH BA1 1DE
TEL: 01225 787900 FAX: 01225 787901
EMAIL: sm-j@sm-j.com

Notes
© SIMON MORRAY-JONES.

P1 - Issue for Planning
Revision

29.09.2023
Date

Scale @ A1
1:10/1:2

Drawn By
JRF

Date
Sep 2023

Job Number
1279

Drawing Number
PL551

Revision
P1

Client
Alexia Drinkall-Gash
Project
Park Cottage, Marston Bigot, Frome, BA11 5DH

Drawing Title
Proposed - WF.21-WF.22-WF.23