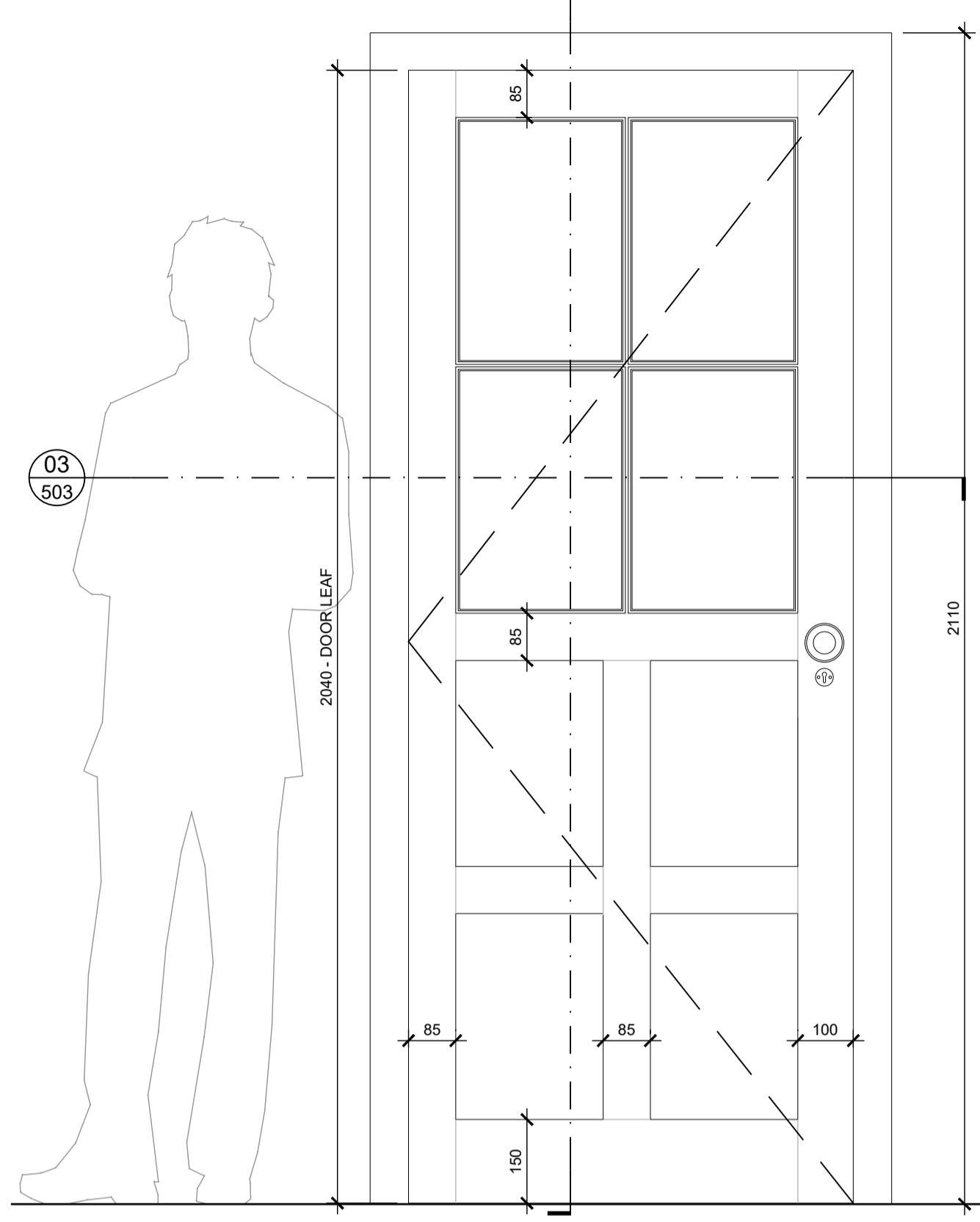
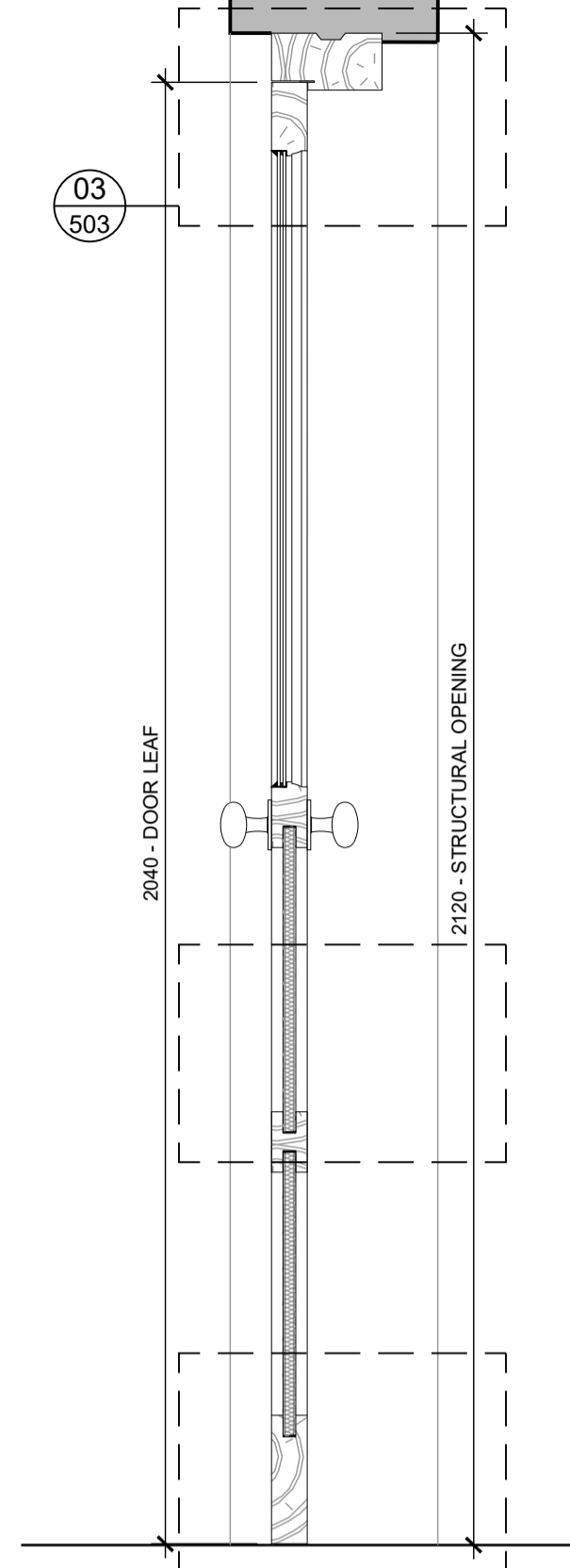


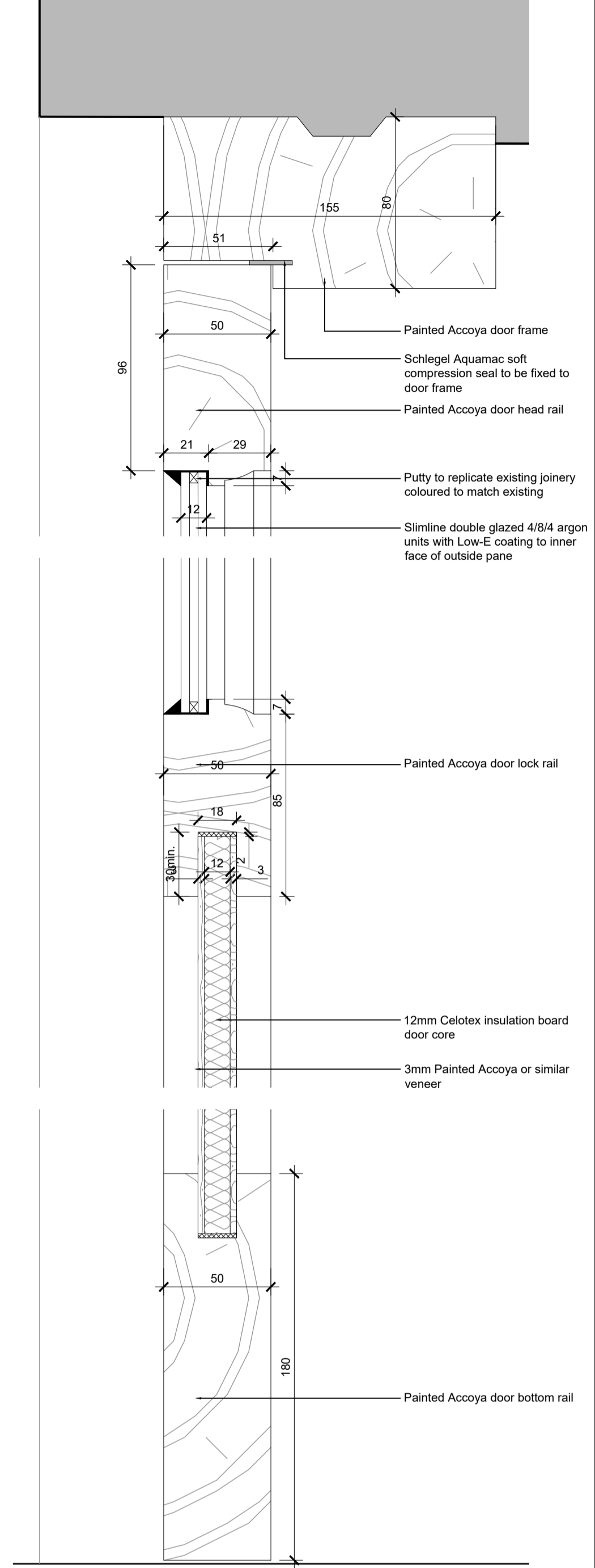
01 Door DG.50
503 Section
Scale 1:10



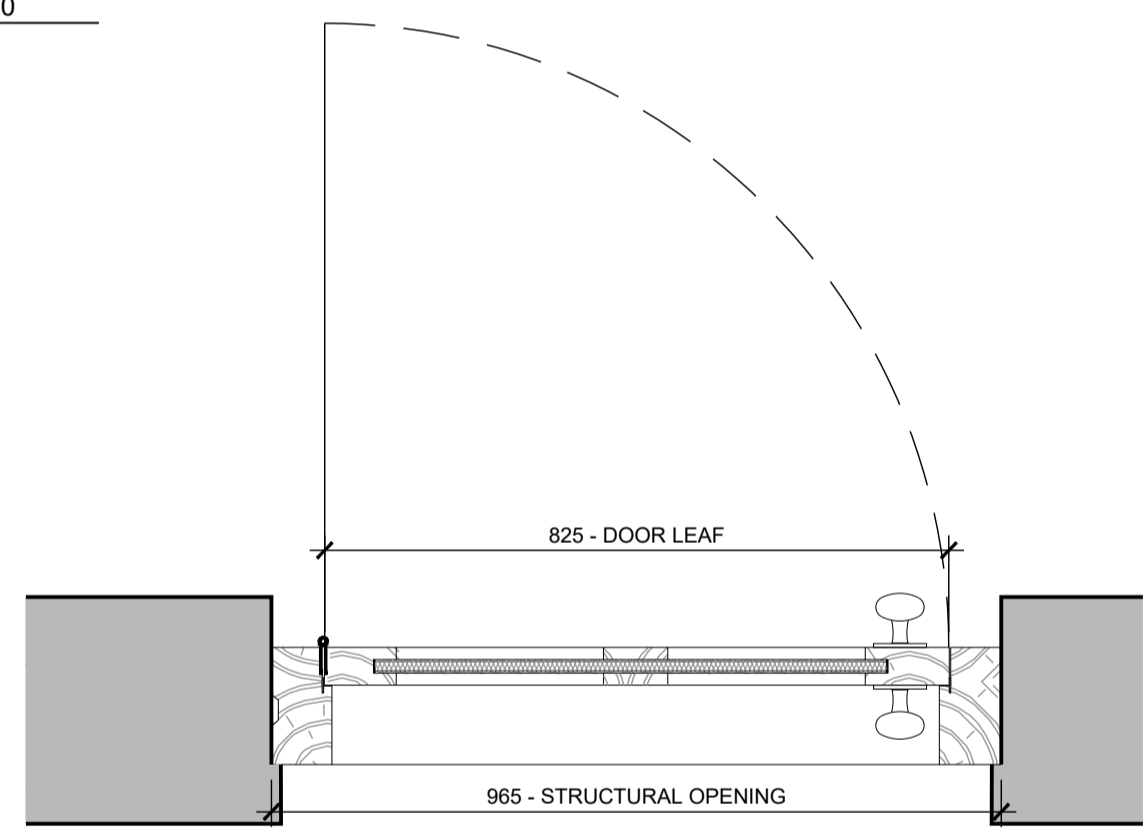
02 Door DG.50
503 Elevation
Scale 1:10



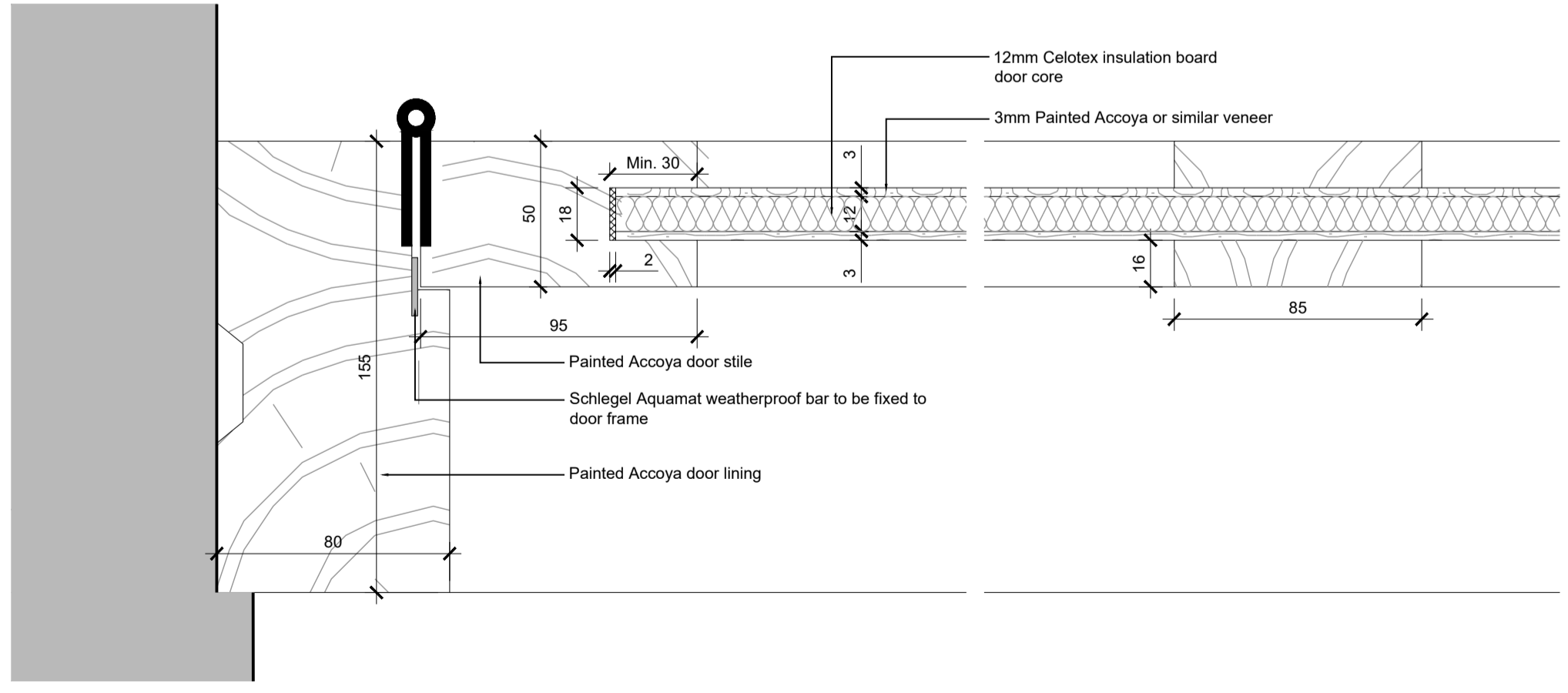
03 Door DG.50
503 Detail Section
Scale 1:2



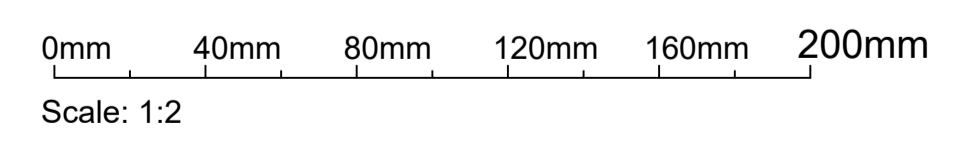
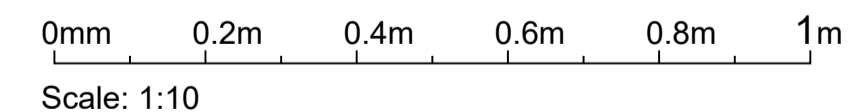
04 Door DG.50
503 Plan
Scale 1:10



05 Door DG.50
503 Detail Plan
Scale 1:2



PLANNING



SIMON MORRAY-JONES
CHARTERED ARCHITECTS & DESIGNERS
21 MILSOM STREET, BATH BA1 1DE
TEL: 01225 787900 FAX: 01225 787901
EMAIL: sm@sm-j.com

Notes
© SIMON MORRAY-JONES.

P1 - Issue for Planning
Revision

Client	Alexia Drinkhall-Gash				
Project	Park Cottage, Marston Bigot, Frome, BA11 5DH				
Drawing Title	Proposed - External Doors - DG.50				
Scale @ A1	Drawn By	Date	Job Number	Drawing Number	Revision
1:10/ 1:2	JRF	Aug 2023	1279	PL503	P1