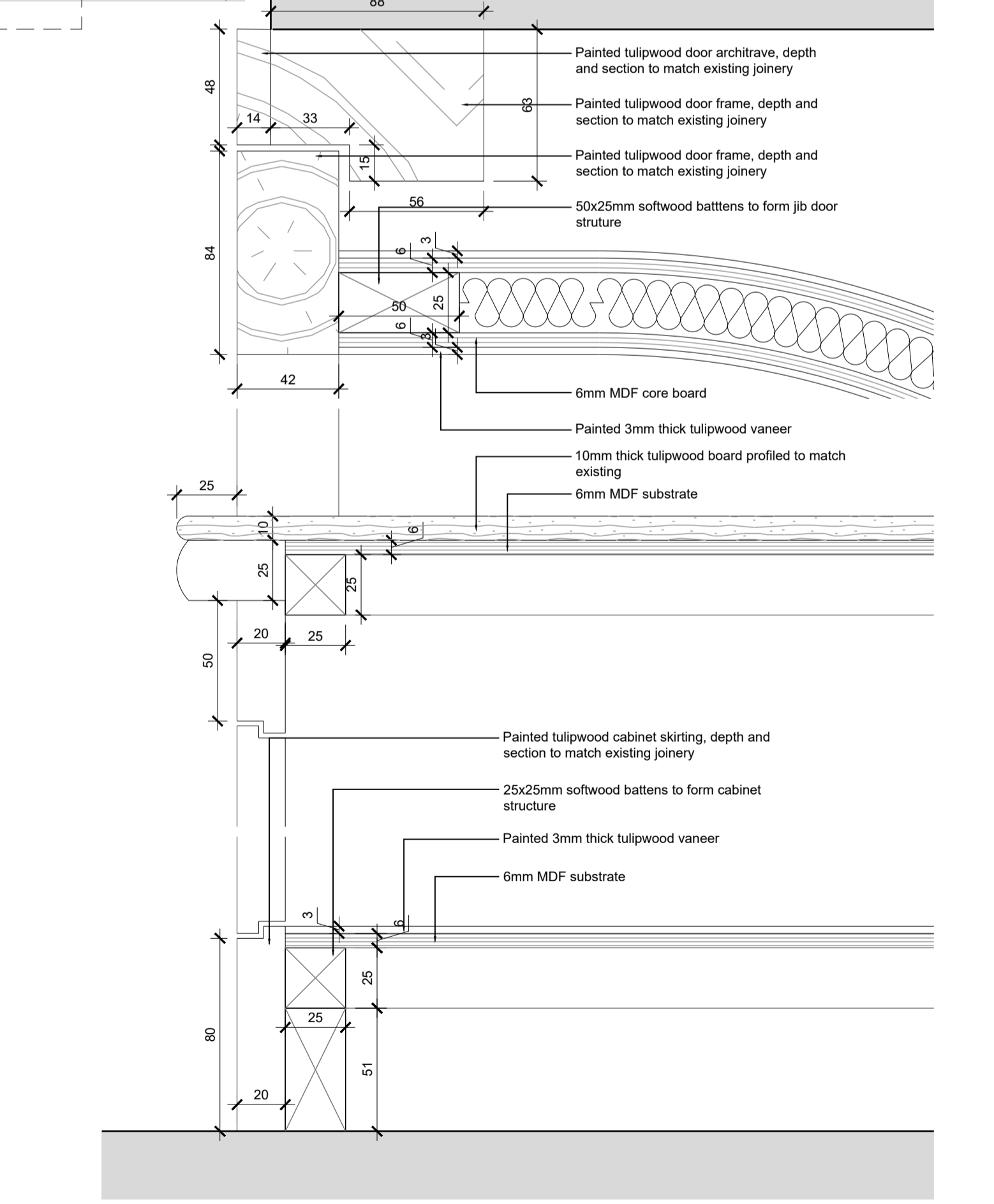
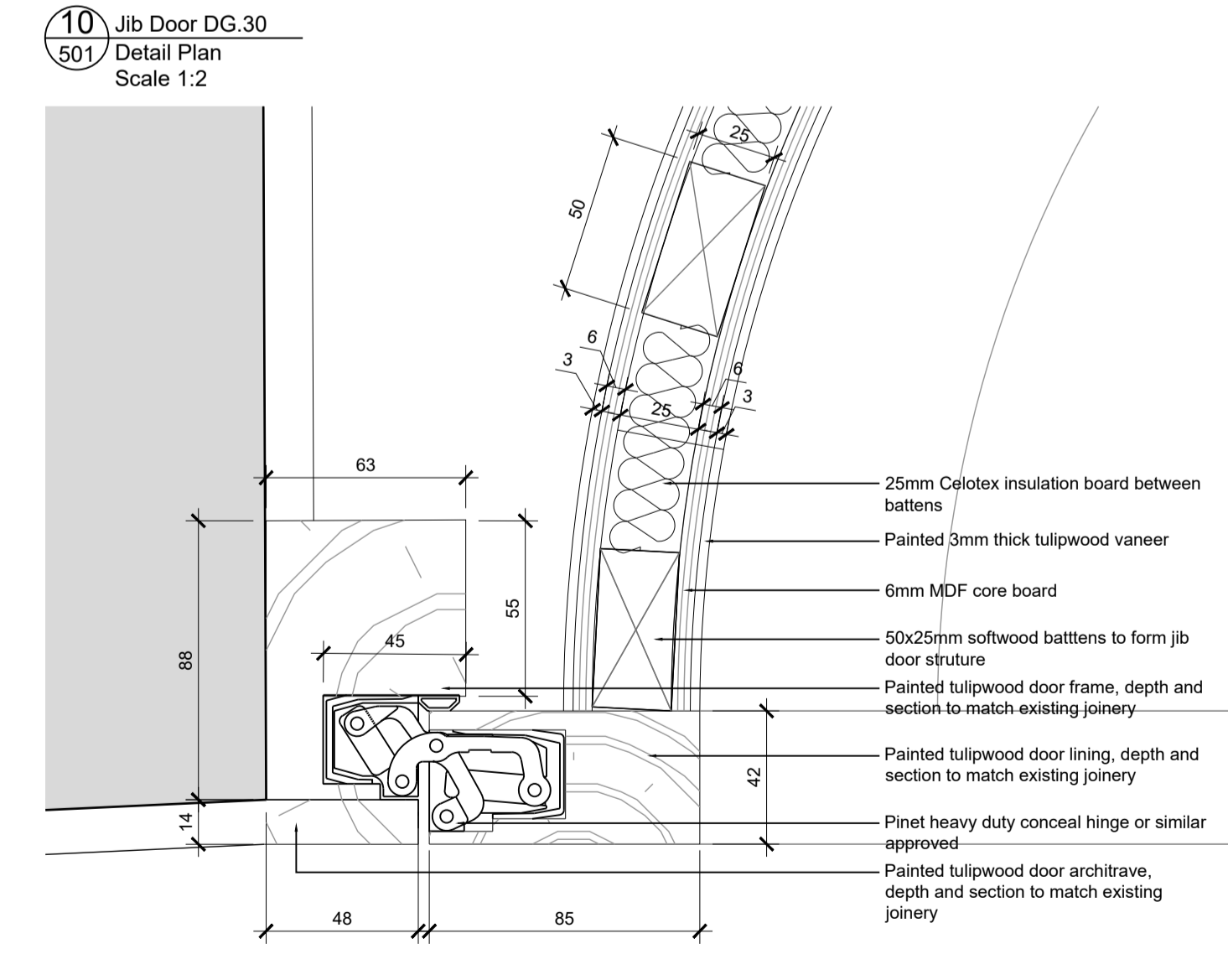
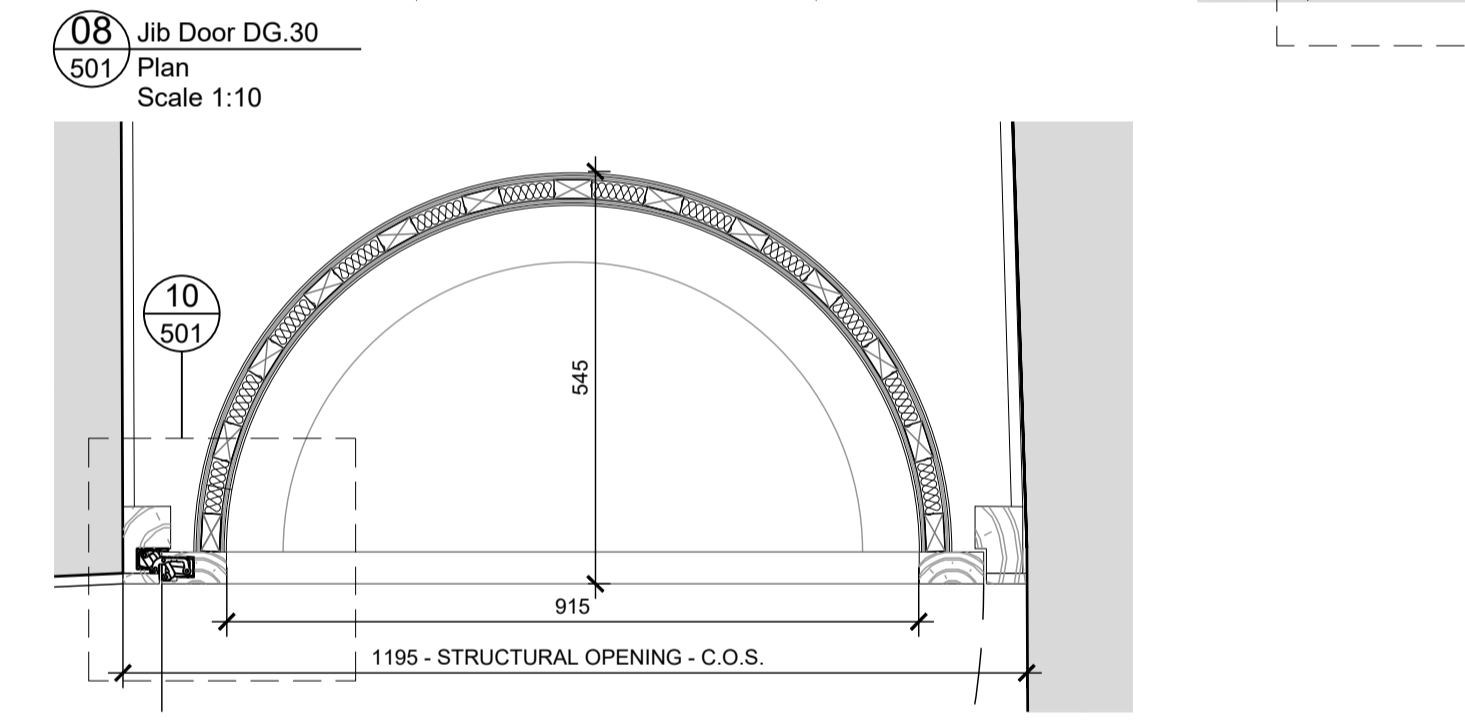
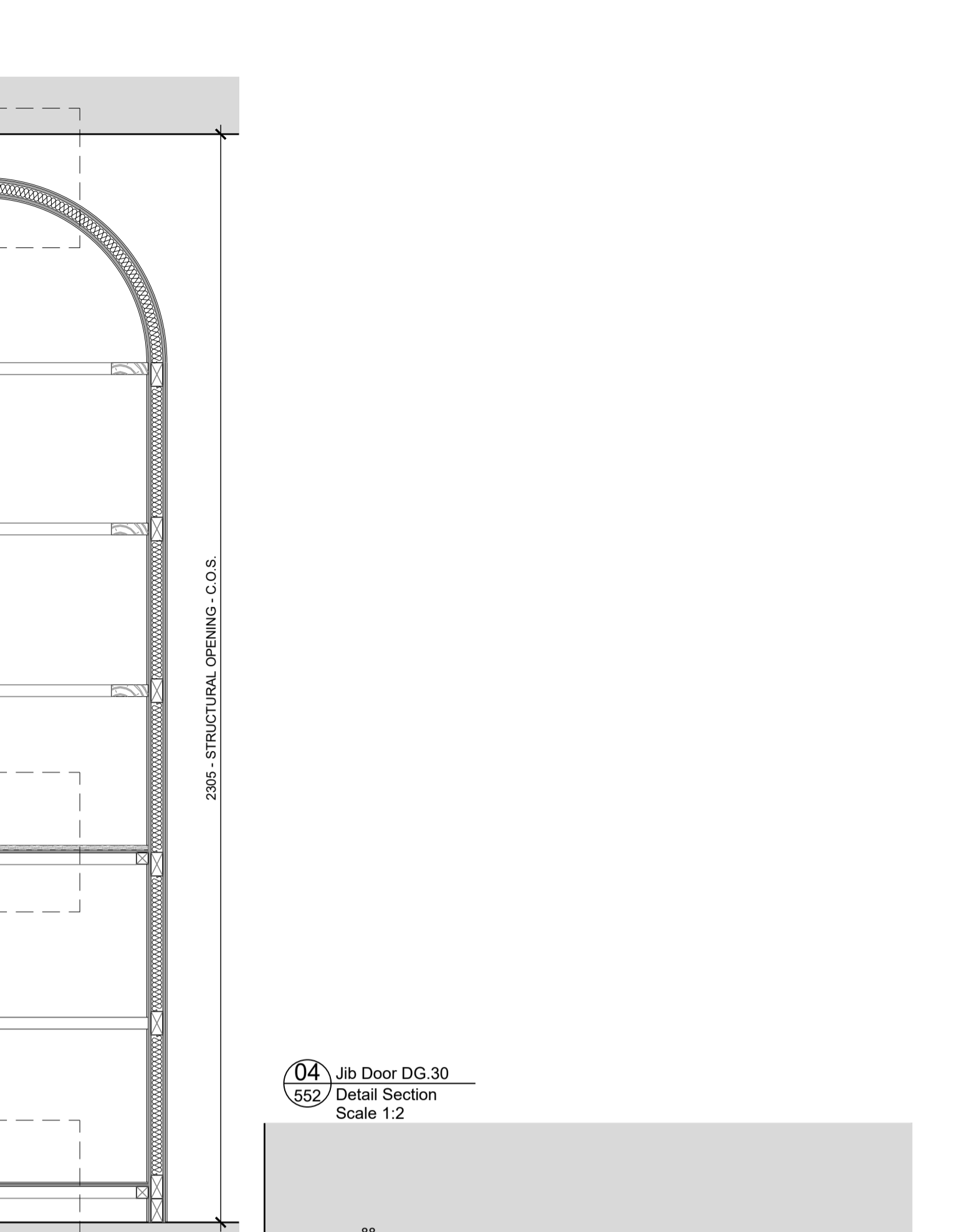
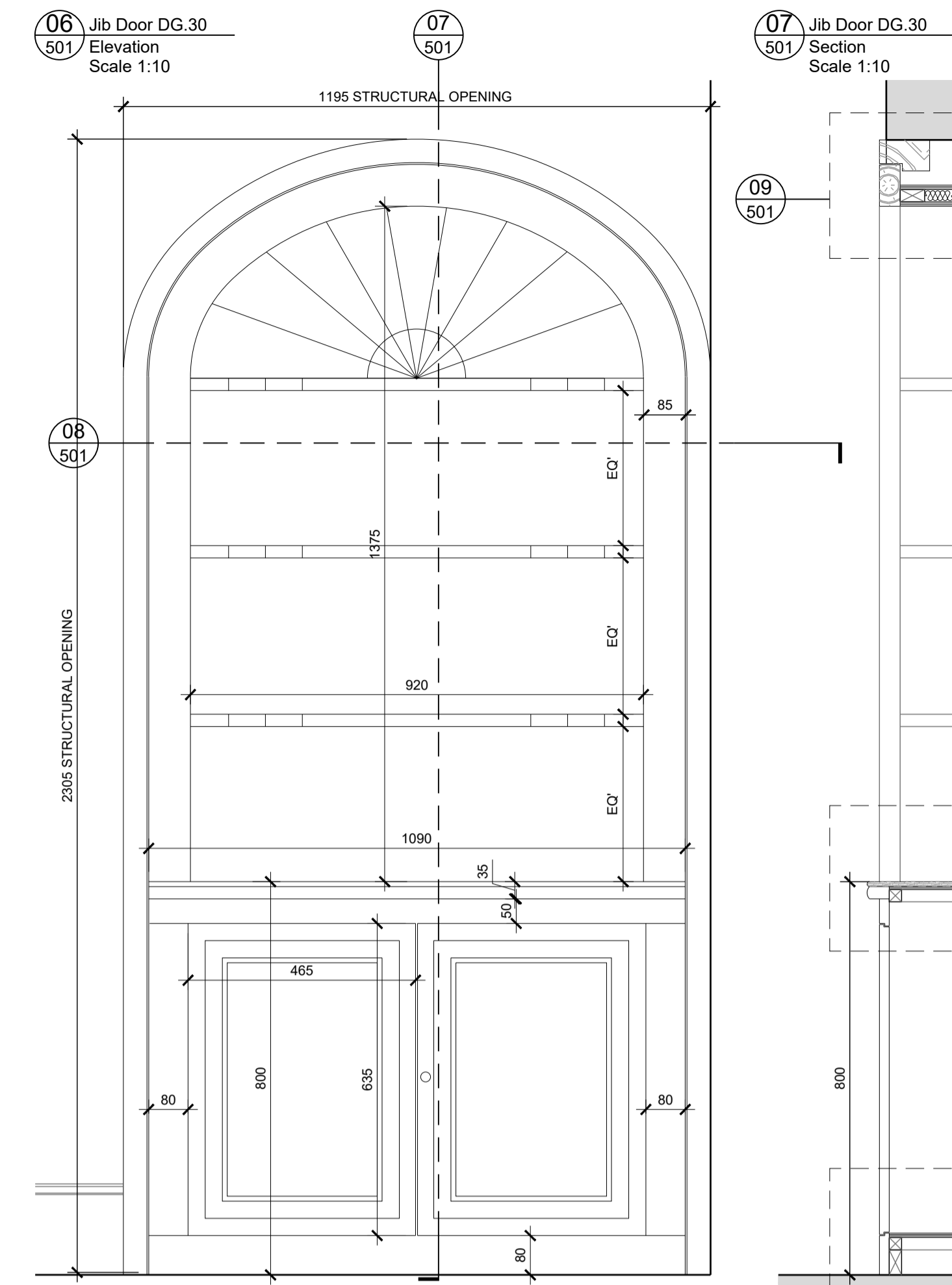
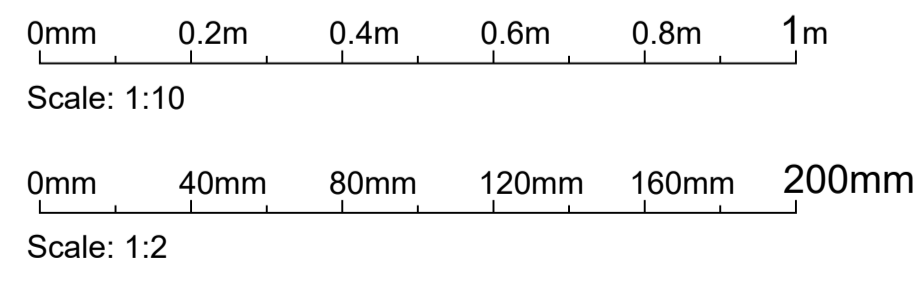


PLANNING



Notes

© SIMON MORRAY-JONES.

P1 - Issue for Planning
Revision

29.09.2023
Date

Client Alexia Drinkall-Gash					
Project Park Cottage, Marston Bigot, Frome, BA11 5DH					
Drawing Title Proposed - Internal Doors - DG.29, DG.30					
Scale @ A1 1:10/ 1:2	Drawn By JRF	Date Aug 2023	Job Number 1279	Drawing Number PL501	Revision P1


SIMON MORRAY-JONES
CHARTERED ARCHITECTS & DESIGNERS
21 MILSOM STREET, BATH BA1 1DE
TEL: 01225 787900 FAX: 01225 787901
EMAIL: sm@sm-j.com