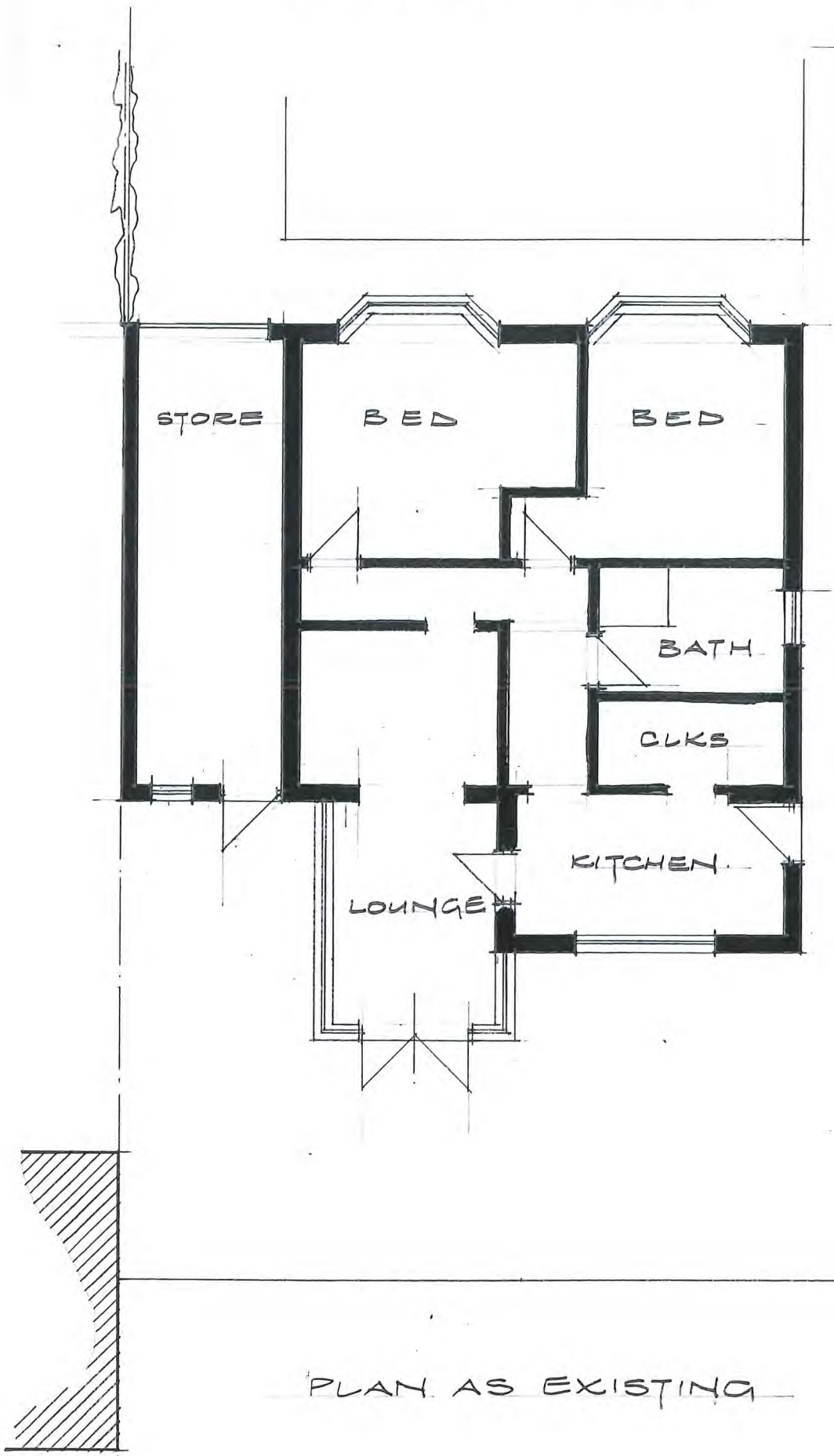
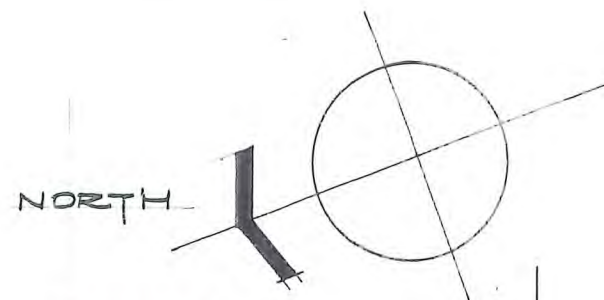


60, BURGH OLD ROAD, SKEGNESS PE25 2LH

EXISTING PLANS



PLAN AS EXISTING

Scale . 1 to 100 @ A3.

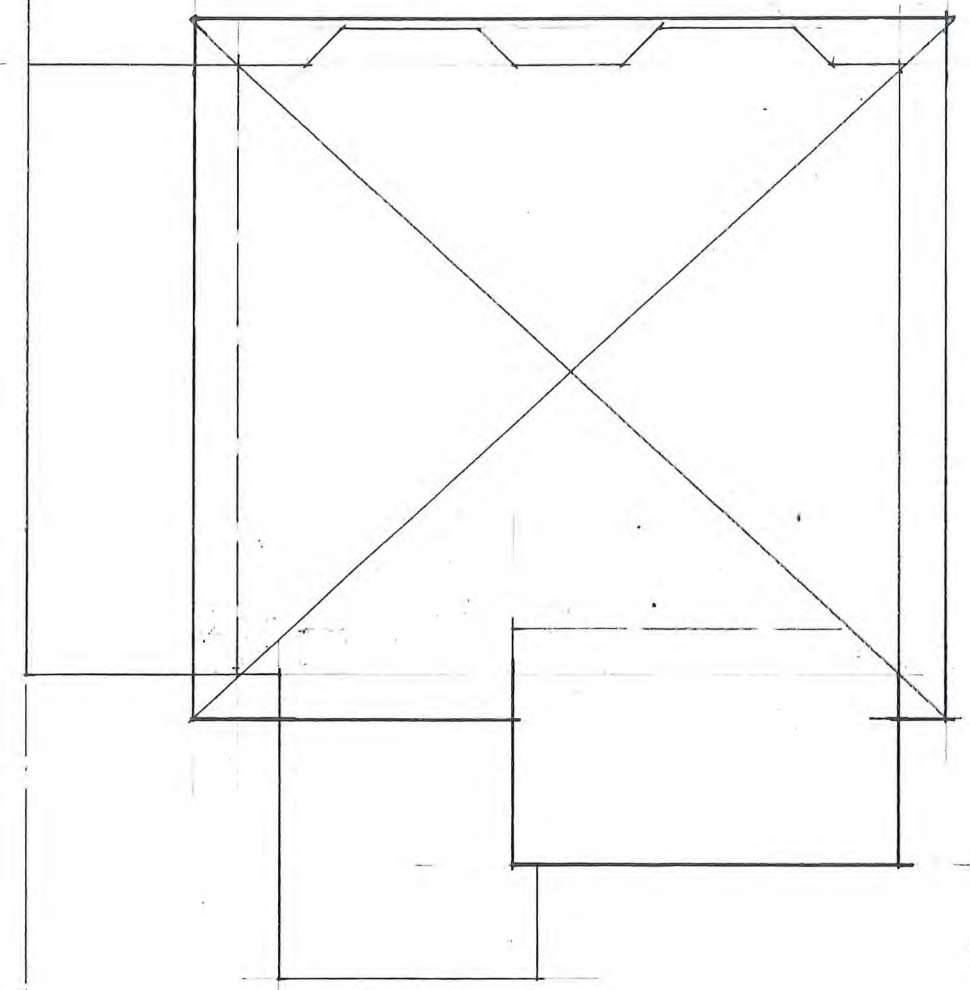


Architectural Consultant
Property Investment & Development

C.W. MAGER
07771 526 280
chrismager@btinternet.com

2 Links Crescent | Skegness | Lincolnshire | PE25 3AF

S/153/1997/23



ROOF PLAN AS EXISTING