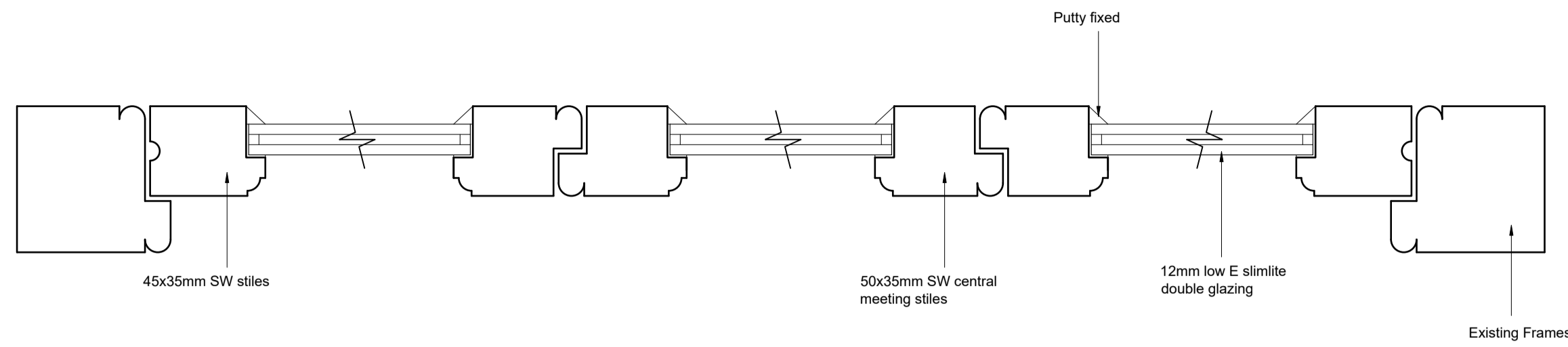
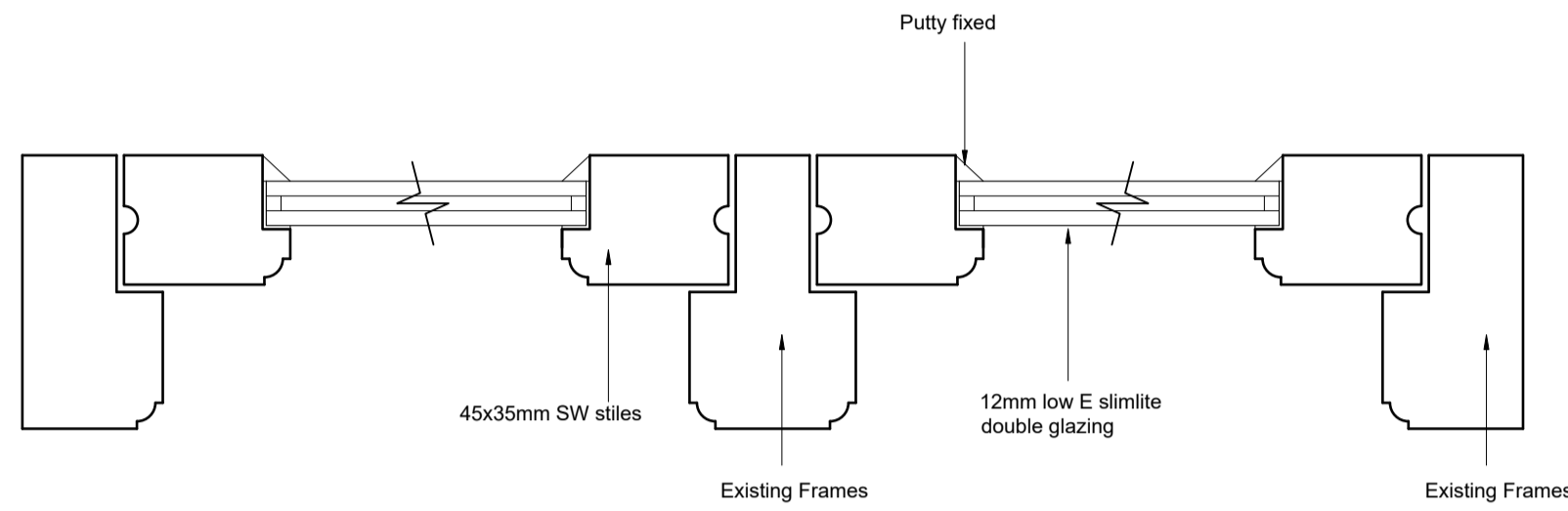


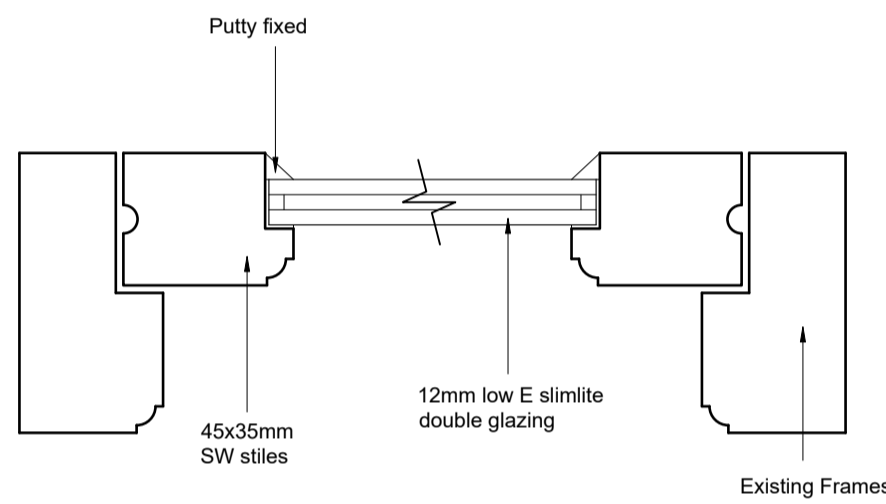
Type A. Three casement, three light windows with meeting stiles
Horizontal Section 1:2



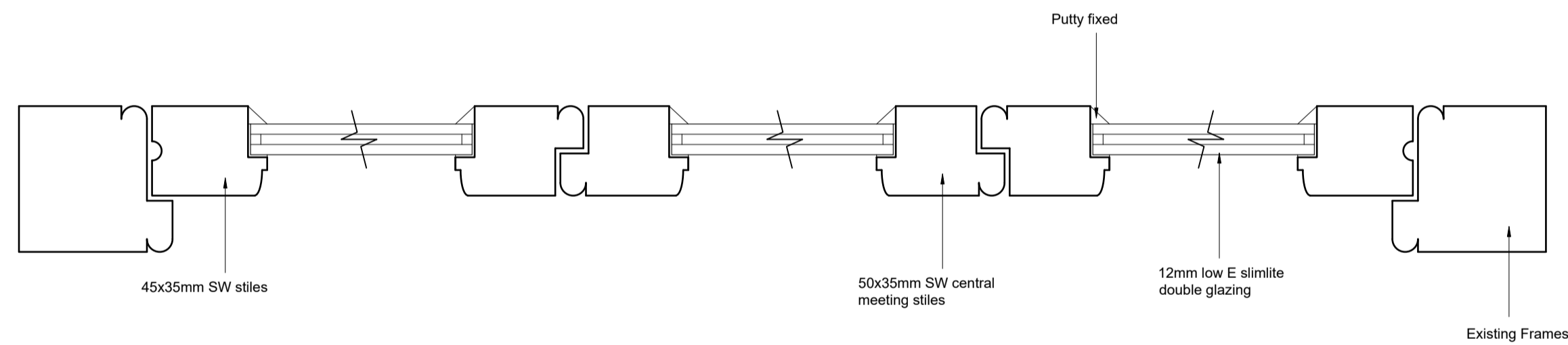
Type B. Upstairs dormer, two flush, two light casements windows with mullion
Horizontal Section 1:2



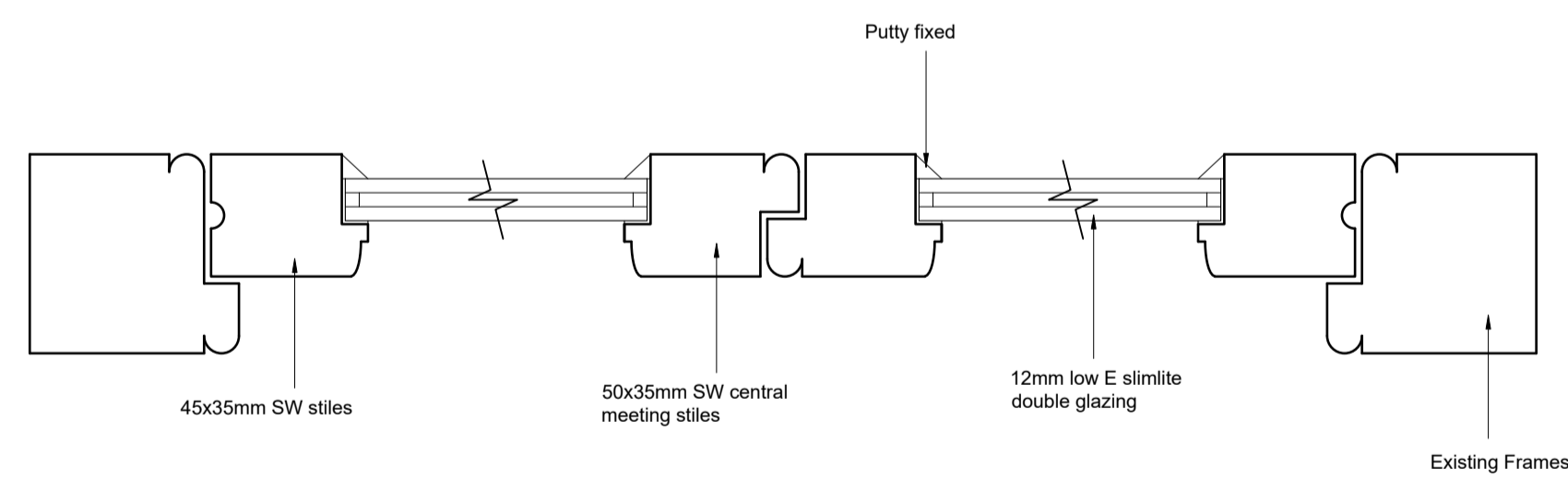
Type C. Upstairs, two light, single flush casement
Horizontal Section 1:2



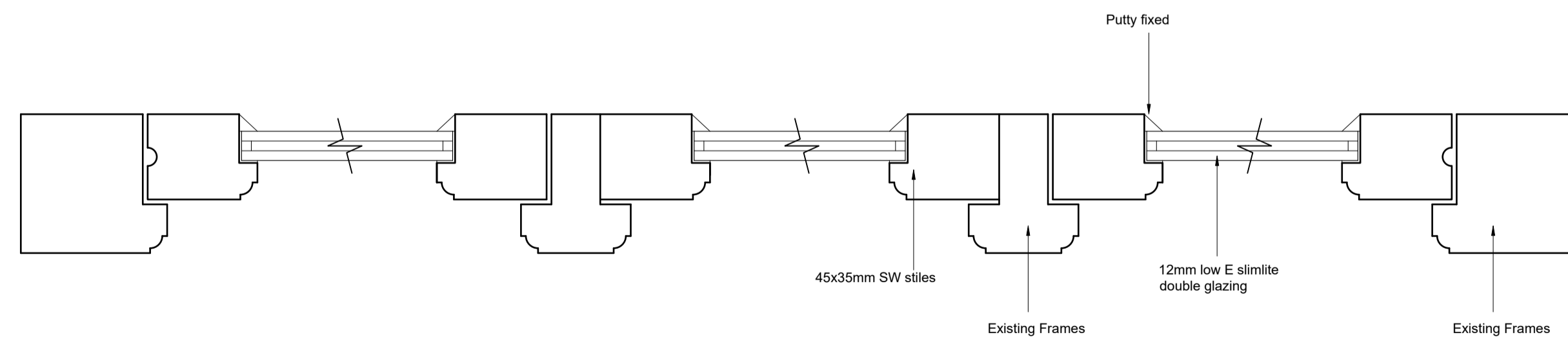
Type D. Rear Extension, three casement, three light windows with meeting stiles
Horizontal Section 1:2



Type E. Side extension, two casement, two light windows with meeting stiles
Horizontal Section 1:2



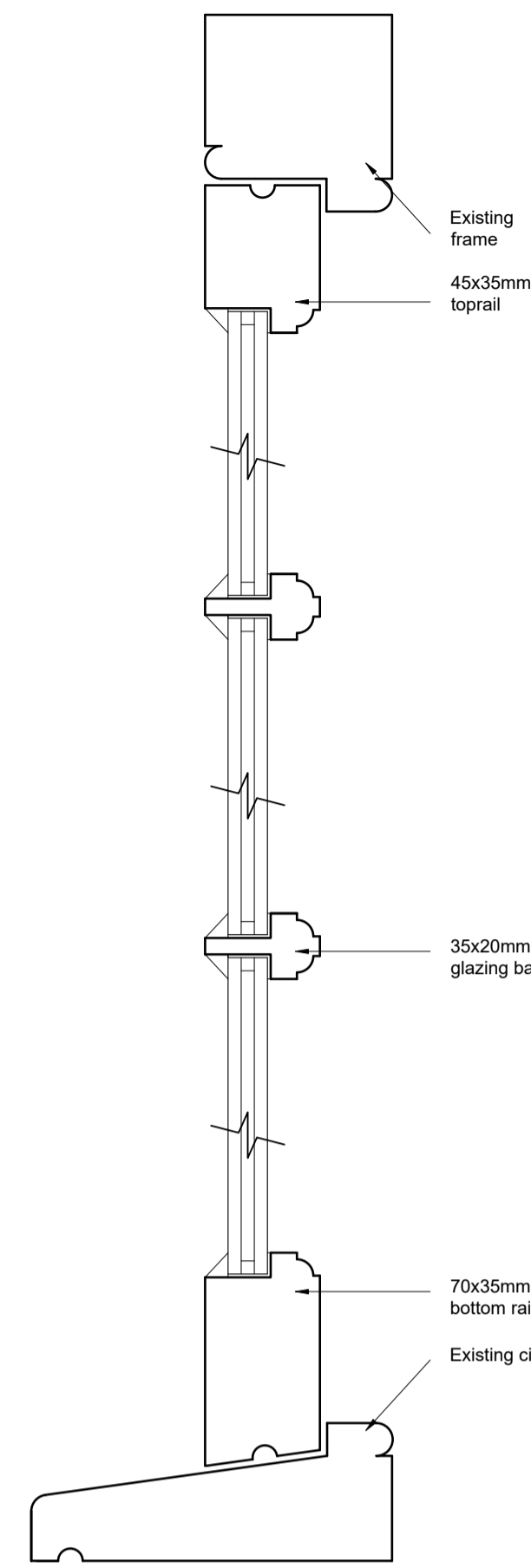
Type F. Rear Extension, three casement, three light windows with meeting stiles
Horizontal Section 1:2



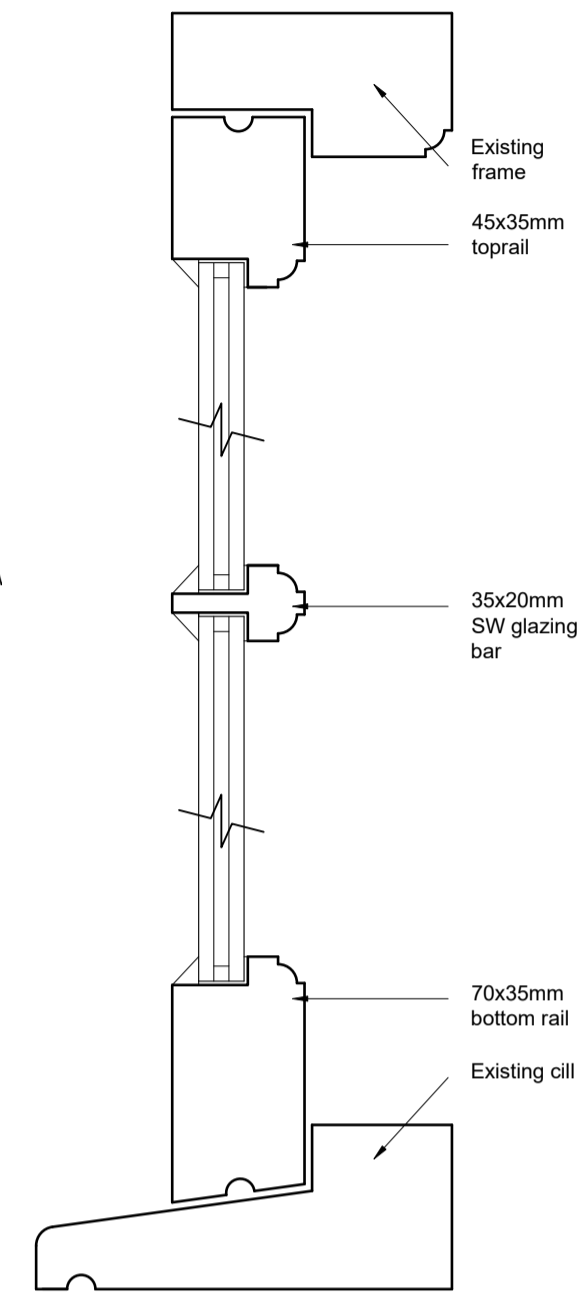
Windows.
NOTE! New softwood casements only, to be fitted into existing frames, details to match the existing casements. Dimensions are to be taken onsite prior to production.

Softwood casements with 12mm argon filled, low e, slimlite glazing.

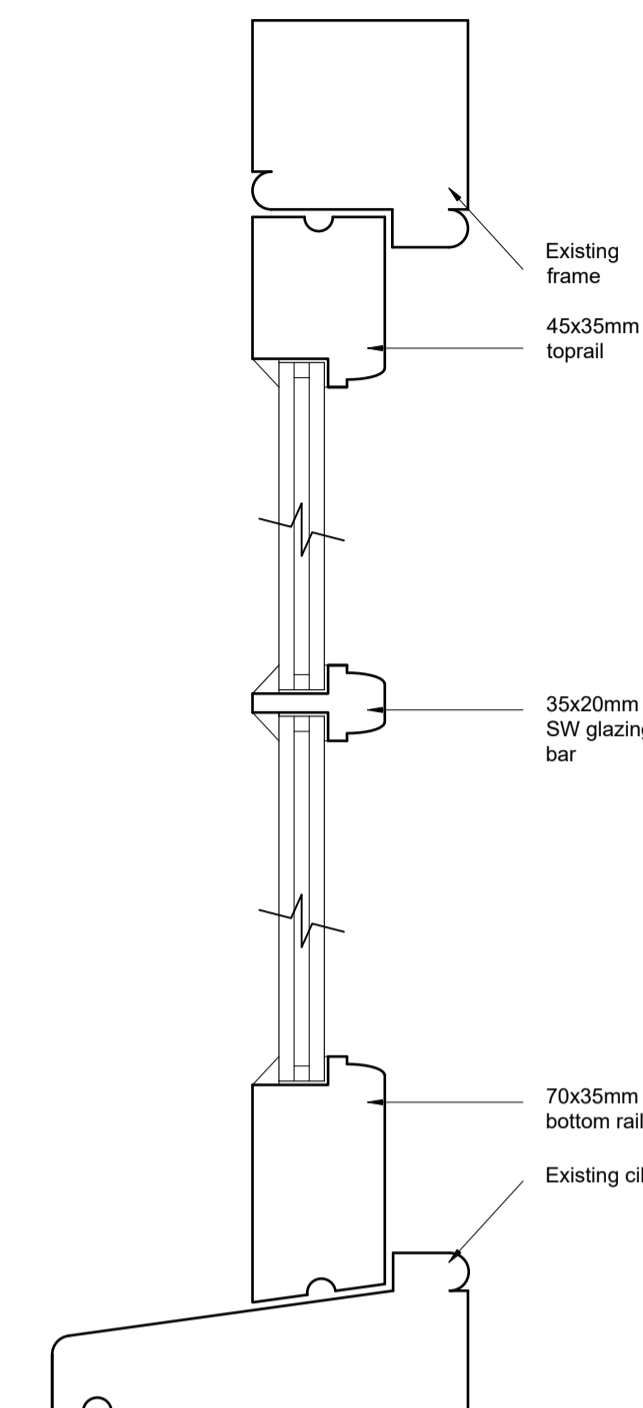
Existing ironmongery to be reused.



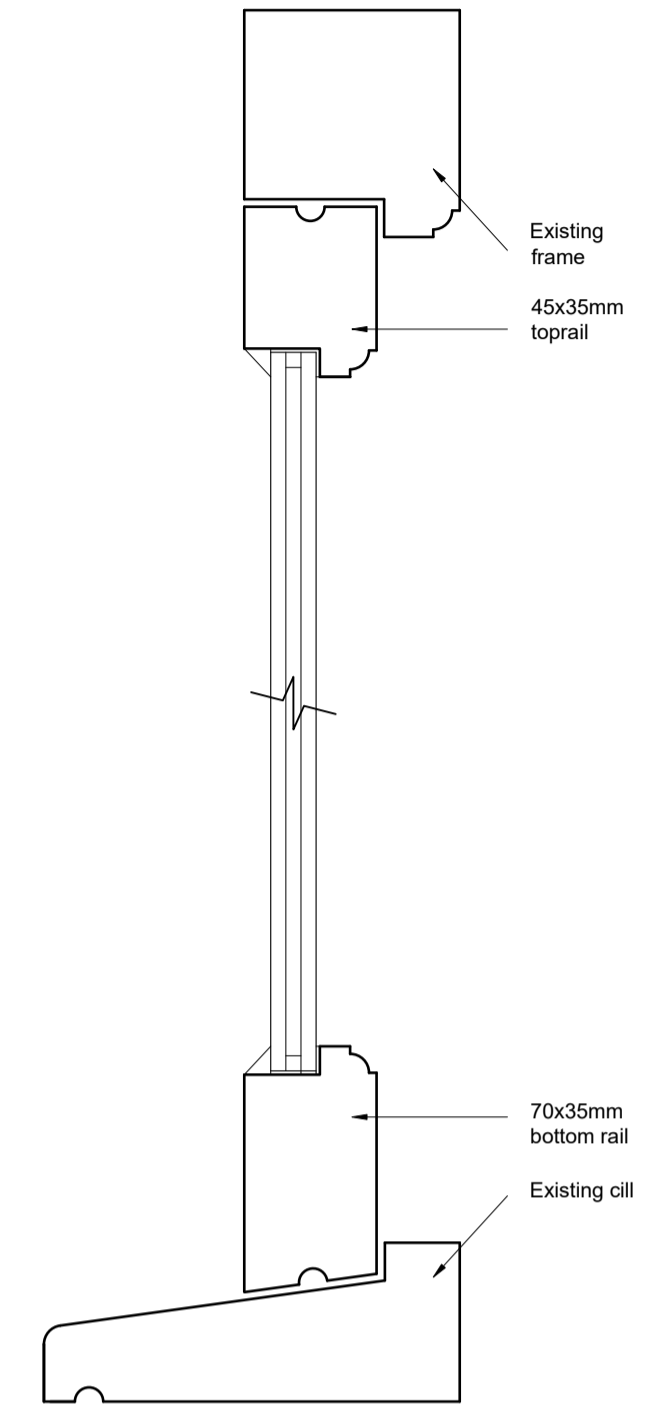
Type A. Three casement, three light windows with meeting stiles
Vertical Section 1:2



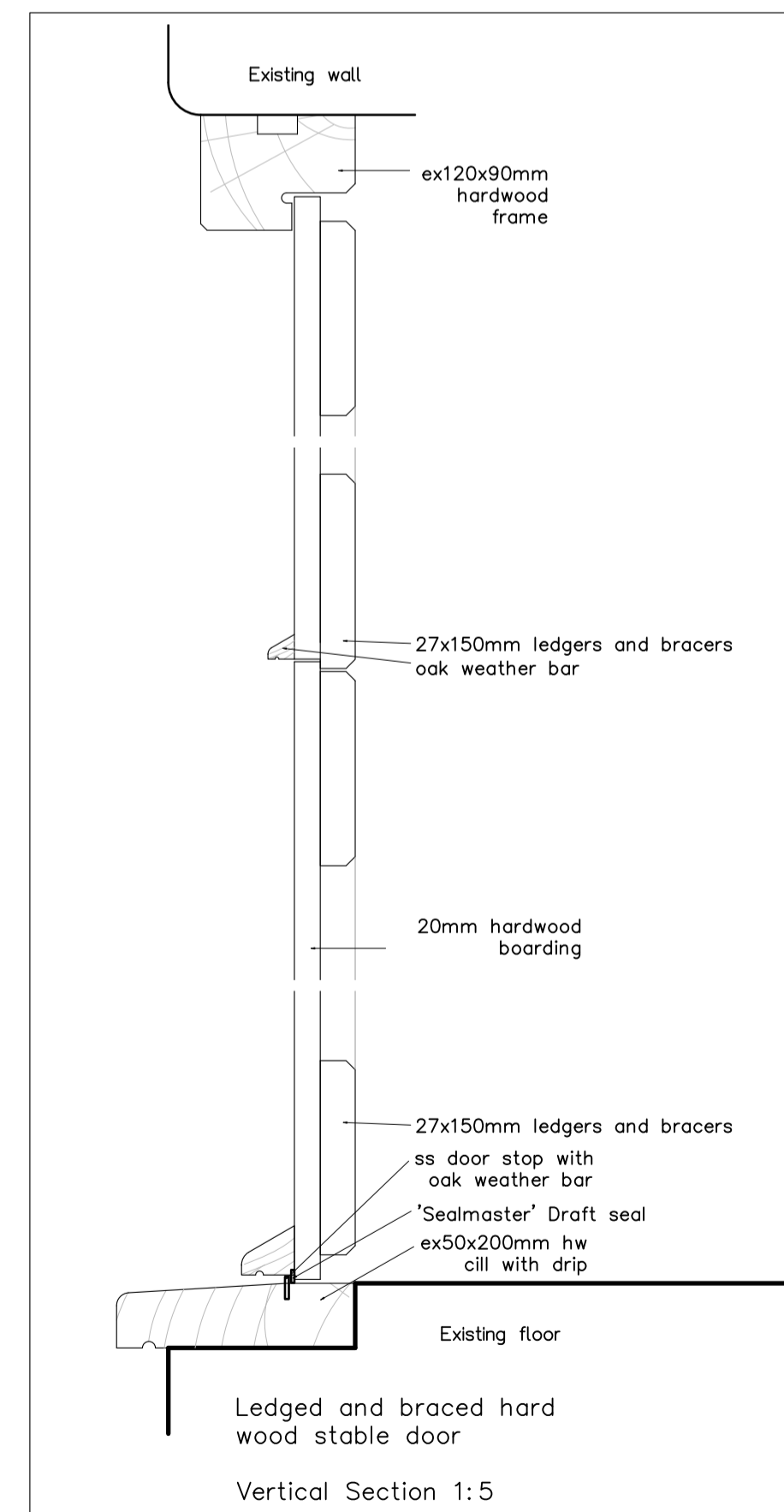
Type B & C. Upstairs dormer, two / single flush casements, two light window(s) with mullion
Vertical Section 1:2



Type D & E. Rear Extension, three casement / two casement, two light windows with meeting stiles
Vertical Section 1:2



Type F. Rear Extension, three casement, three light windows with mullions
Vertical Section 1:2



Lugged and braced hard wood stable door
Vertical Section 1:5

Door. 120x90mm Hardwood door frame, with 50x30mm rebate to take door, to be anchor bolted and pelleted to existing opening

Hardwood 20x150mm rebated boards with pencil moulding.

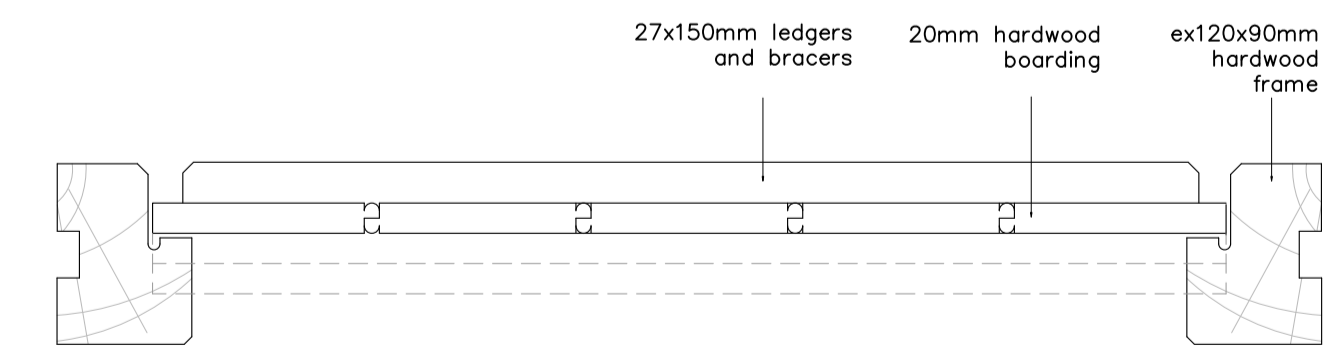
27x150mm hardwood ledgers and bracers.

40mm hardwood weather bar to base of door, 20mm weather bar to base of top section.

190x50mm hardwood cill (to fit existing threshold) with ss water bar and 'sealmaster' draft seal.

New lugged and braced boarded door and frame is to be made to fit existing opening. All sizes are to be checked onsite prior to production.

Door is to be hung using wrought iron T strap hinges, all other ironmongery to be reused. Hinges from Diss Ironworks as: 2pairs of 15" T hinges ref 33184.



Lugged and braced hard wood stable door
Horizontal Section 1:5

