

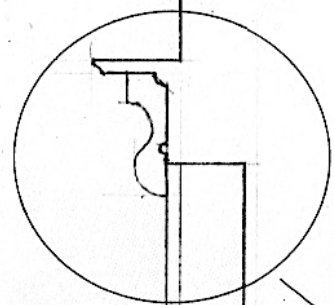


No. 33

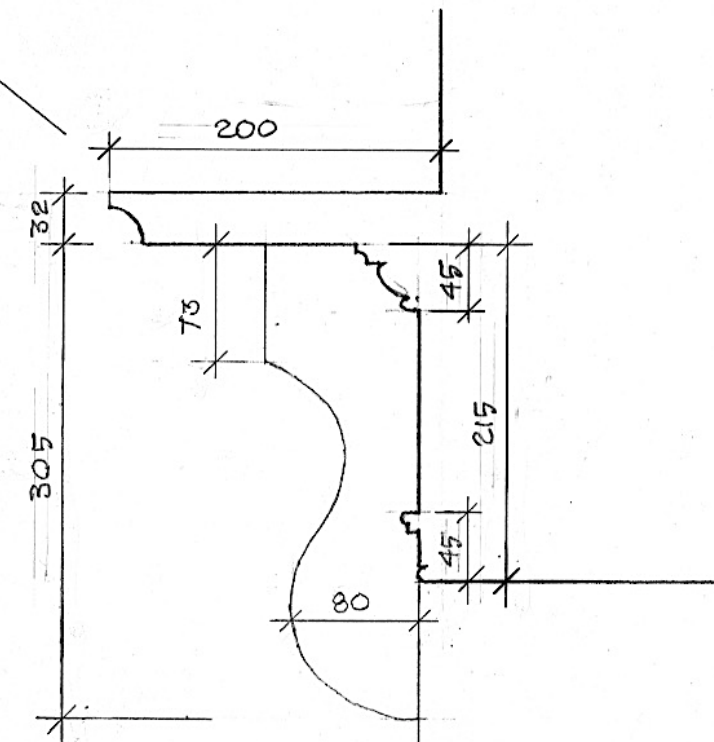
ELEVATIONS 1:20

No. 35

A



SECTION AT 'A'



SECTION AT DOOR HEAD 1:5

NOTE
All existing joinery is painted softwood

REVISION A - 11.10.23 - Detailed dims added.



35 BROAD STREET, NEW ALRESFORD
Details of Entrance Doorway - Existing
1:20, 1:5 @ A3

245
September 2023
Drwg No 245 D06A

© Carey-Thomas architecture Ltd, Thedden, Alton, Hampshire GU34 4AU
tel and fax: 01420-86800 email: cta@thedden.com