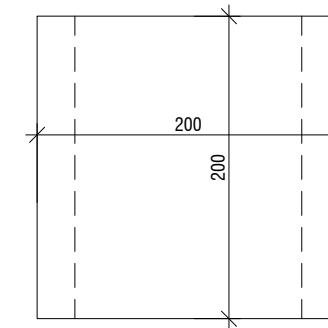
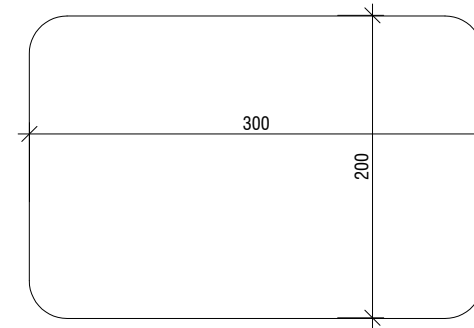


North and South Elevation

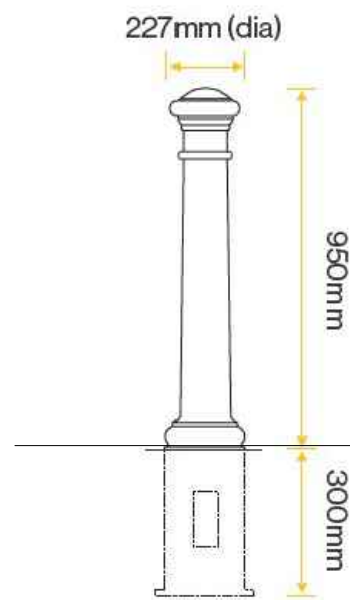


East and West Elevation



Plan

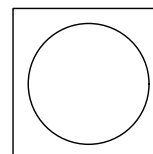
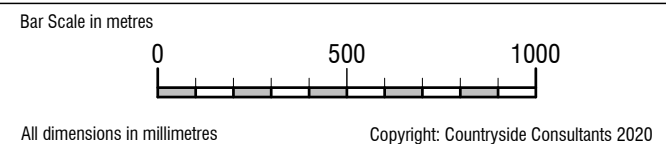
**STONE PLINTH FOR WOODEN COLUMNS at 1:5 Scale**  
 Refer to materials specification for details of the stone.  
 All vertical corners quadrant to 25mm radius.  
 All other corners 'pencil round' to 3mm radius.  
 Quantity: 8 plinths are required.



**CAST IRON BOLLARD**  
 Manchester pattern as used elsewhere in the town.  
 Broxcap BX 1539 or equivalent.

**GROUND LEVEL**  
 Allow for standard fixing root into concrete.

Scale 1:20



**Countryside Consultants**  
*Architects & Planners*  
 Townhead, Alston, Cumbria. CA9 3SL Tel: 01434 381906  
 www.countryside-consultants.co.uk

THE SHAMBLES MARKET, HEXHAM, NE46 1XQ  
**CONSERVATION CONTRACT**  
 Job no: 2317 JULY 2023

**STONE PLINTH AND BOLLARD DETAILS**  
 Dwg no: D2  
 1:20 and 1:5 at A3