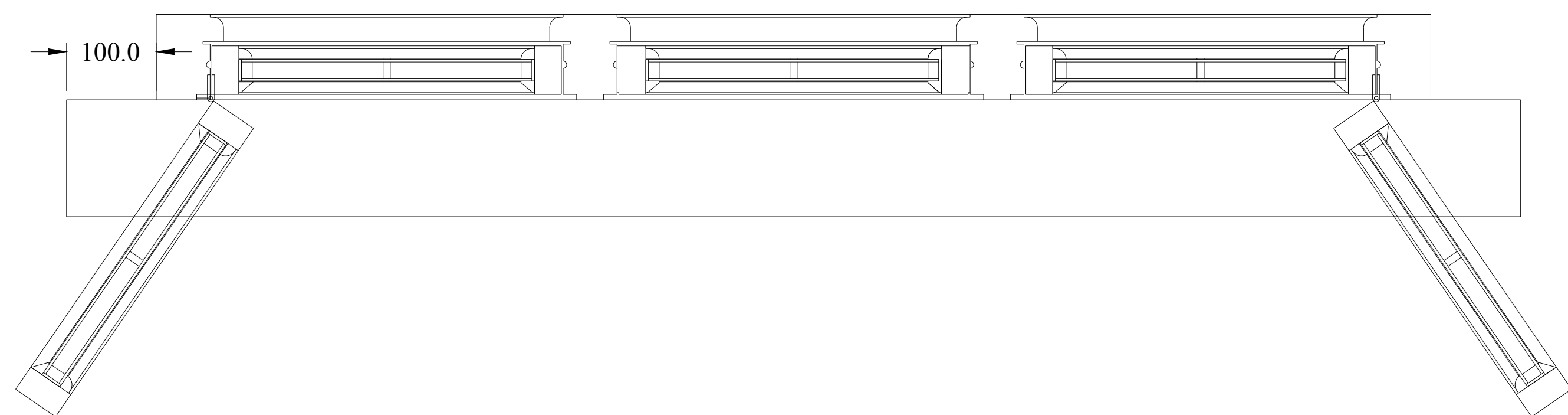
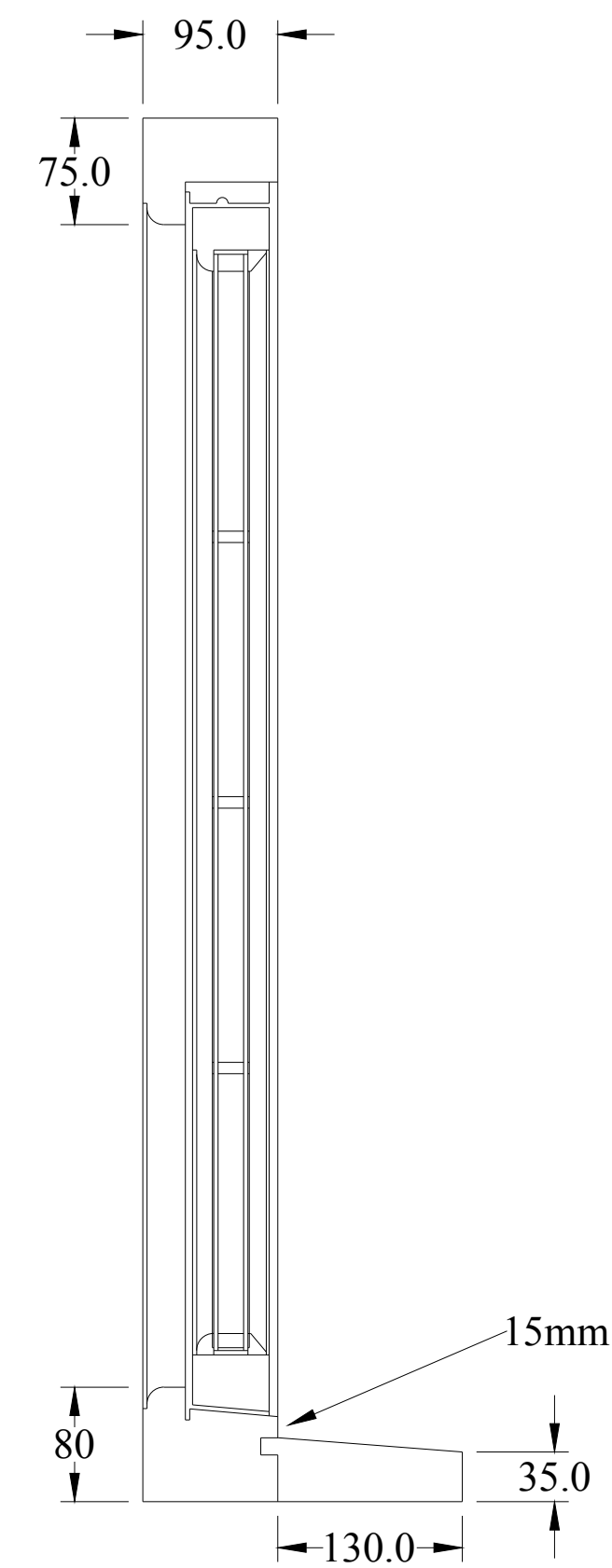


External Front Elevation

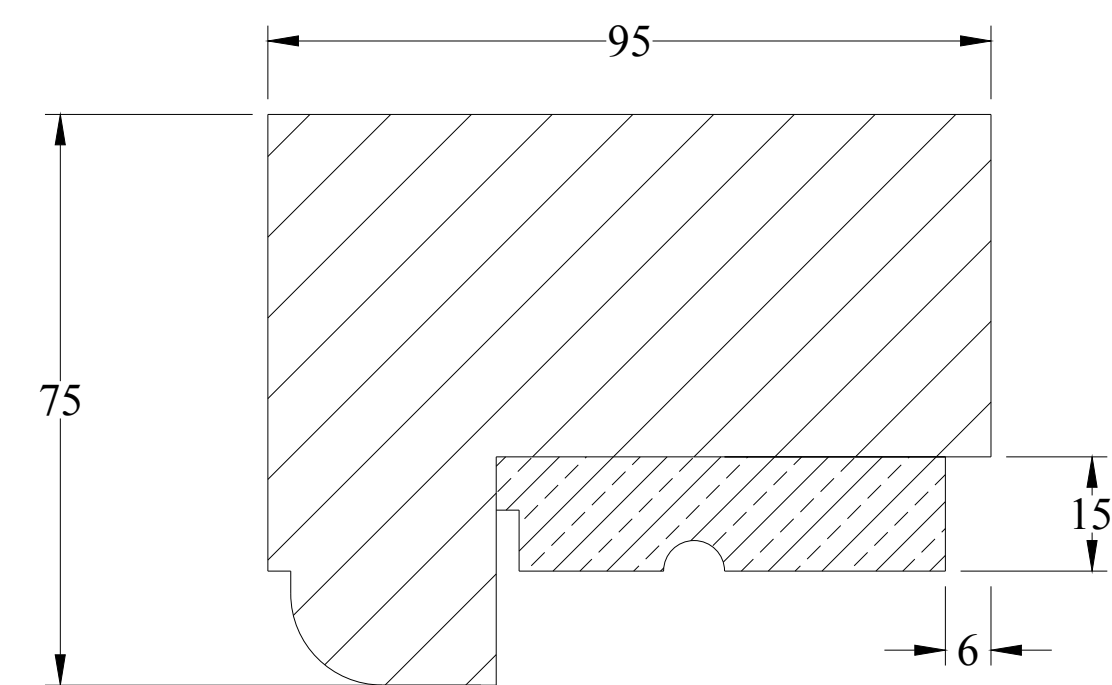


Plan Through AA

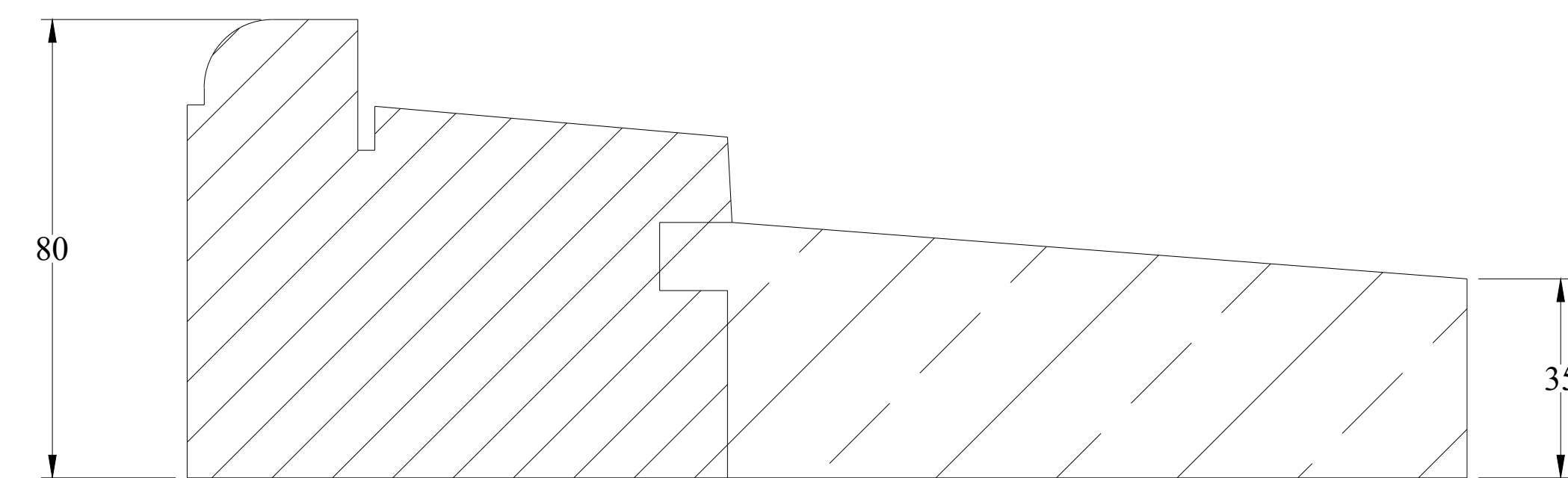
Four number windows required
Sapelle Frames & Accoya Casements
Leaded 24mm K glass units
Secret fixed glazing beads
Black Ironmongery
All spray finished in Teknos (Colour TBC)



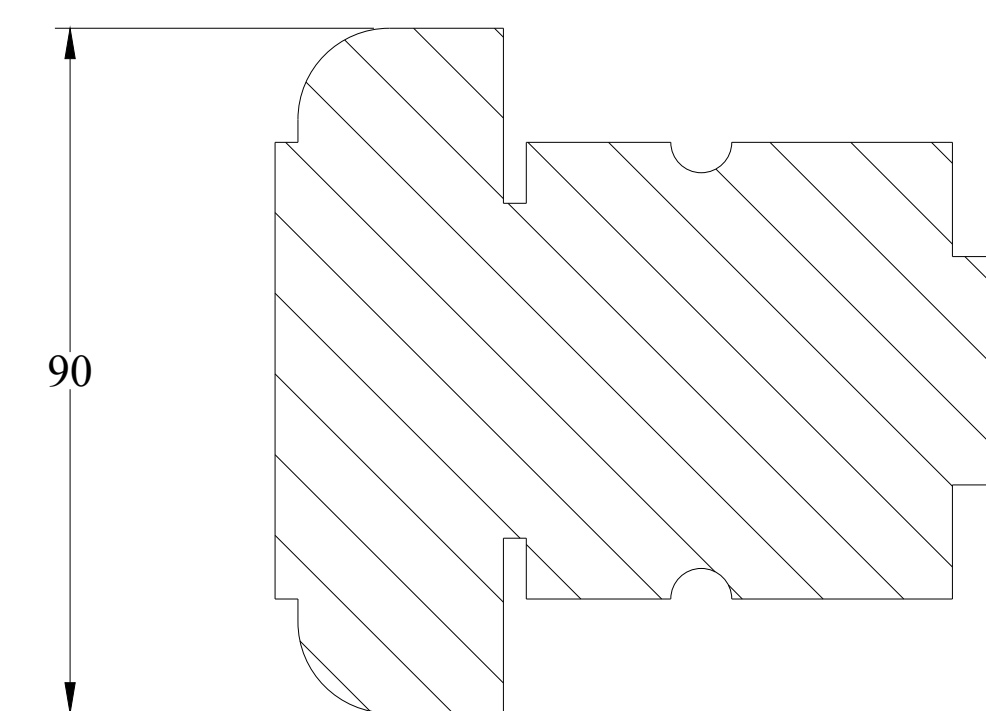
Section Through BB



Head Section

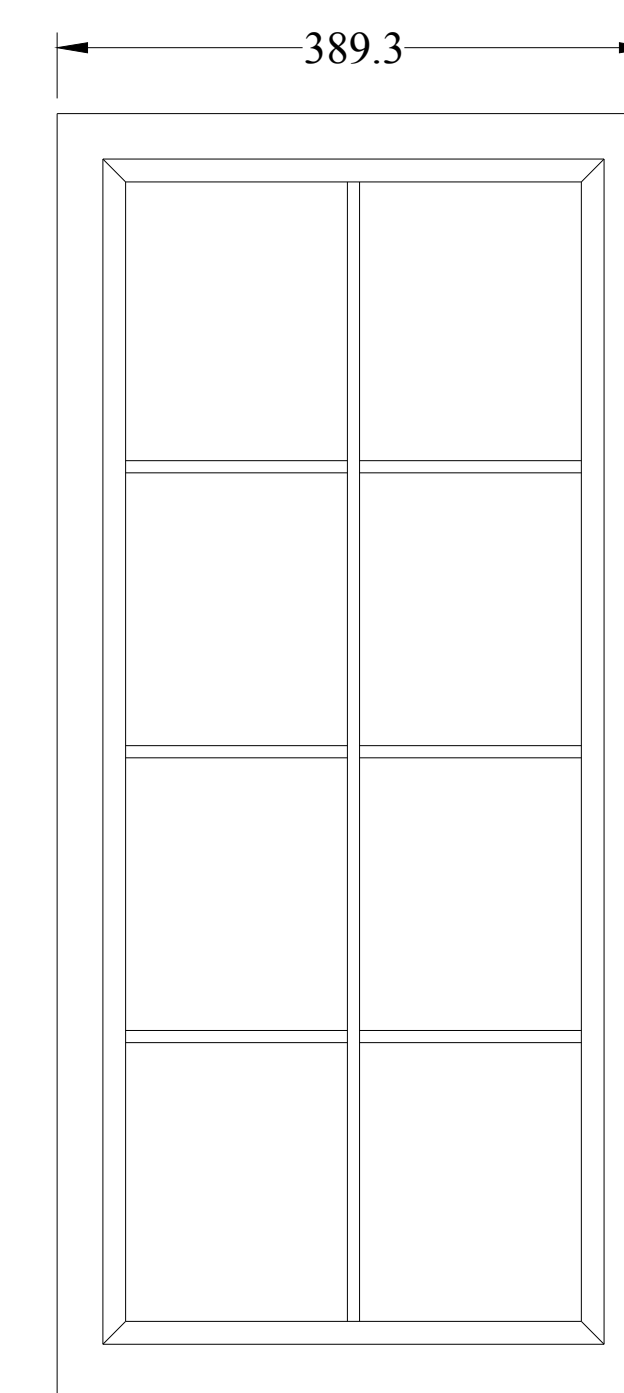


Cill Section

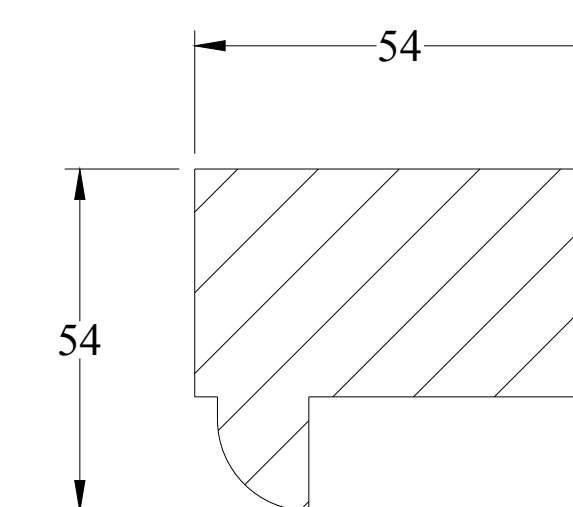


Mullion section

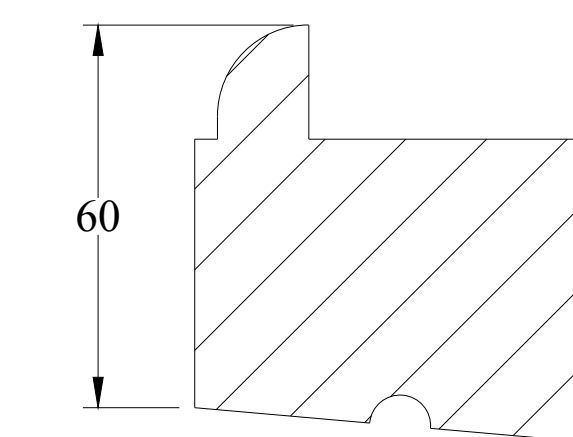
Full Size Frame Sections



Casement Elevation & Full Size Sections



Top Rail Section



Bottom Rail Section

Nicholas Olliffe Ltd	
Unit 10 The Old Mill Little Clanfield Oxfordshire OX18 2RX Tel/Fax 01367 810100	
CLIENT	Clanfield Estates
PROJECT	Cottage Windows
DRAWING TITLE	Elevations, Sections & Plans
Job No. 21076	Date 20th July 2023
Dwg. By: NAO	Scale 1:5
Dwg. No. Clanf-001	Rev
PRELIMINARY	
FOR APPROVAL	
FOR CONSTRUCTION	
FOR SITE FIXING	