

Solar: Panels: for Lochwood cottage ABBISHE

Harvest the Sunshine



Mono

**375W MBB
Half-Cell Black Module
JAM60S21 355-375/MR Series**

Introduction

Assembled with multi-busbar PERC cells, the half-cell configuration of the modules offers the advantages of higher power output, better temperature-dependent performance, reduced shading effect on the energy generation, lower risk of hot spot, as well as enhanced tolerance for mechanical loading.



Higher output power



Lower LCOE



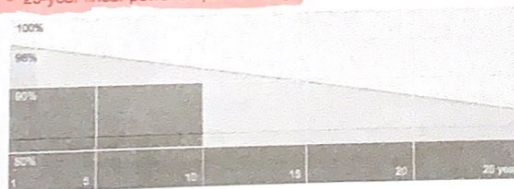
Less shading and lower resistive loss



Better mechanical loading tolerance

Superior Warranty

- 12-year product warranty
- 25-year linear power output warranty



■ JA Linear Power Warranty ■ Industry Warranty

Comprehensive Certificates

- IEC 61215, IEC 61730, UL 61215, UL 61730
- ISO 9001: 2015 Quality management systems
- ISO 14001: 2015 Environmental management systems
- ISO 45001: 2018 Occupational health and safety management systems
- IEC 62941: 2019 Terrestrial photovoltaic (PV) modules - Quality system for PV module manufacturing



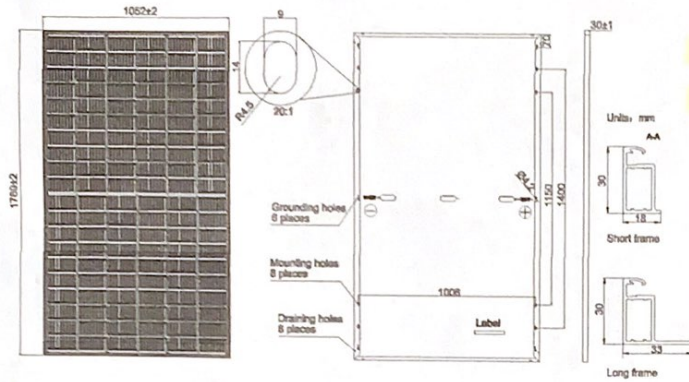
JA SOLAR

www.jasolar.com

Specifications subject to technical changes and tests.
JA Solar reserves the right of final interpretation.



MECHANICAL DIAGRAMS



SPECIFICATIONS

Cell	Mono
Weight	20.2kg
Dimensions	1769±2mm×1052±2mm×30±1mm
Cable Cross Section Size	4mm ² (IEC) .12 AWG(UL)
No. of cells	120(6×20)
Junction Box	IP68, 3 diodes
Connector	MC4-EVO2/ QC 4.10-35
Cable Length (Including Connector)	Portrait:200mm(+)/300mm(-); Landscape:1000mm(+)/1000mm(-)
Packaging Configuration	36pcs/Pallet 936pcs/40HQ Container

Remark: customized frame color and cable length available upon request

ELECTRICAL PARAMETERS AT STC

TYPE	JAM60S21 -355/MR	JAM60S21 -360/MR	JAM60S21 -365/MR	JAM60S21 -370/MR	JAM60S21 -375/MR
Rated Maximum Power(P _{max}) [W]	355	360	365	370	375
Open Circuit Voltage(V _{oc}) [V]	40.80	40.97	41.13	41.30	41.45
Maximum Power Voltage(V _{mp}) [V]	33.34	33.65	33.96	34.23	34.50
Short Circuit Current(I _{sc}) [A]	11.20	11.25	11.30	11.35	11.41
Maximum Power Current(I _{mp}) [A]	10.65	10.70	10.75	10.81	10.87
Module Efficiency [%]	19.1	19.3	19.6	19.9	20.2
Power Tolerance	0→+5W				
Temperature Coefficient of I _{sc} (α _{Isc})	+0.044%/°C				
Temperature Coefficient of V _{oc} (β _{Voc})	-0.272%/°C				
Temperature Coefficient of P _{max} (γ _{Pmp})	-0.350%/°C				
STC	Irradiance 1000W/m ² , cell temperature 25°C, AM1.5G				

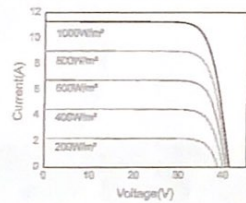
Remark: Electrical data in this catalog do not refer to a single module and they are not part of the offer. They only serve for comparison among different module types.

ELECTRICAL PARAMETERS AT NOCT

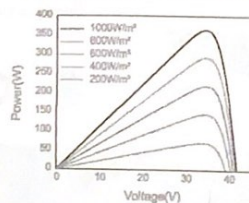
TYPE	JAM60S21 -355/MR	JAM60S21 -360/MR	JAM60S21 -365/MR	JAM60S21 -370/MR	JAM60S21 -375/MR	OPERATING CONDITIONS
Rated Max Power(P _{max}) [W]	268	272	276	280	284	Maximum System Voltage 1000V/1500V DC
Open Circuit Voltage(V _{oc}) [V]	37.95	38.18	38.41	38.65	38.89	Operating Temperature -40°C→+85°C
Max Power Voltage(V _{mp}) [V]	31.58	31.82	32.05	32.30	32.55	Maximum Series Fuse 20A
Short Circuit Current(I _{sc}) [A]	9.05	9.10	9.15	9.20	9.25	Maximum Static Load,Front 5400Pa (112 lb/ft ²)
Max Power Current(I _{mp}) [A]	8.50	8.55	8.61	8.68	8.71	Maximum Static Load,Back 2400Pa (50 lb/ft ²)
NOCT	Irradiance 800W/m ² , ambient temperature 20°C, wind speed 1m/s, AM1.5G					NOCT 45±2°C
						Safety Class Class II
						Fire Performance UL Type 1

CHARACTERISTICS

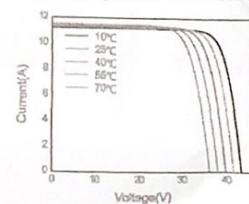
Current-Voltage Curve JAM60S21-365/MR



Power-Voltage Curve JAM60S21-365/MR

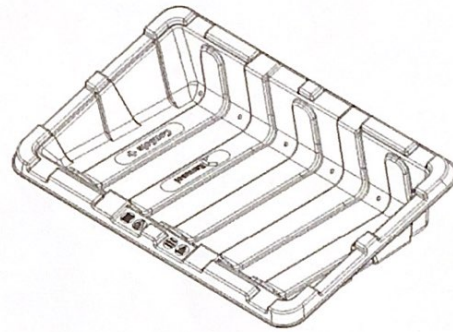


Current-Voltage Curve JAM60S21-365/MR



GROUND MOUNTS FOR SOLAR PANELS

for Lockwood cottage AB315HE



System Datasheet

CS+

General

System	Freestanding ballasted PV mounting system
Scope of delivery	CS+ tub, mounting profiles and fixing material
System warranty	10 years
Application area	Flat roofs, landfills, open spaces, green areas (excluding hydrogen sulphide exposure)
Dimensions	Width: 1.730mm, depth: 1.100 mm, height: 390mm
Roof slope	max. 5° without additional measures
Ambient temperature range	-30°C to +50°C

System properties

System orientation	East-West, South
Material	HDPE, aluminium and stainless steel
Module tilt	15°
System weight approx.	~ 7,9 kg
Friction coefficient	$\mu = 0,5$ is to be determined and ensured upon installation surface.
Minimum edge distance	1,5 m
Maximum snow load on the roof	2,5 kN/m ²

Certifications

TÜV	ID1111212485 according to 2PFG
Wind loads	Determined in wind tunnel tests by Ruscheweyh Consult GmbH
Fire resistance	MPA Dresden
UV resistance	KIMW Kunststoff Institut Lüdenscheid

Services

PV layout	Provided by Renusol
Ballast plan	Provided by Renusol

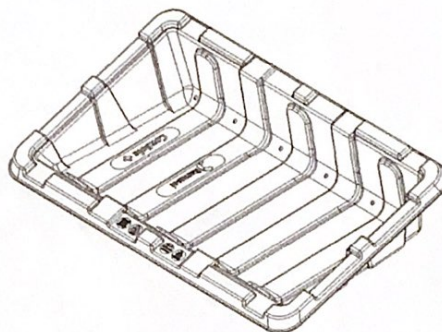
CS+ 03 | 2021

EN | Renusol System Datasheet

Misprints and errors, technical or other changes and changes in the availability of products are expressly reserved

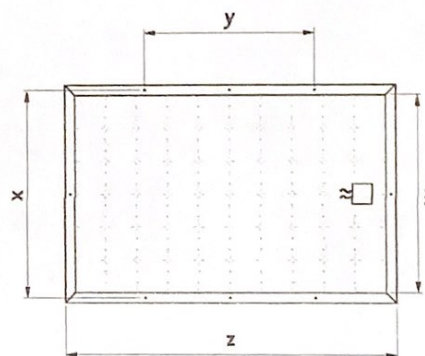
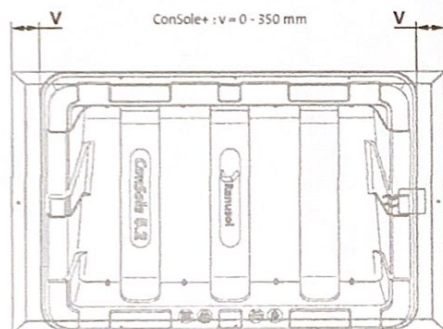
System Datasheet


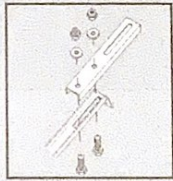
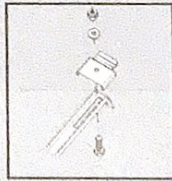
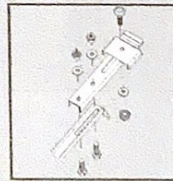
CS+



Modules

Type	Framed PV modules with mounting hole
Module length	1550 mm - 2400 mm
Module guidance	Horizontal/landscape format



				
Article No.	R520075-K	R520075-K + R460001	R520075-K + R420023	R520075-K + R460001 + R420023
Modul min. w:	-	-	933 mm	996 mm
Modul max. w:	-	-	995 mm	1075 mm
Modul min. x:	895 mm	1016 mm	-	-
Modul max. x:	1015 mm	1085 mm	-	-
Modul min. y:	690 mm	690 mm	-	-
Modul max. y:	1180 mm	1180 mm	-	-
Modul min. z:	1550 mm	1550 mm	1550 mm	1550 mm
Modul max. z:	2400 mm	2400 mm	2400 mm	2400 mm