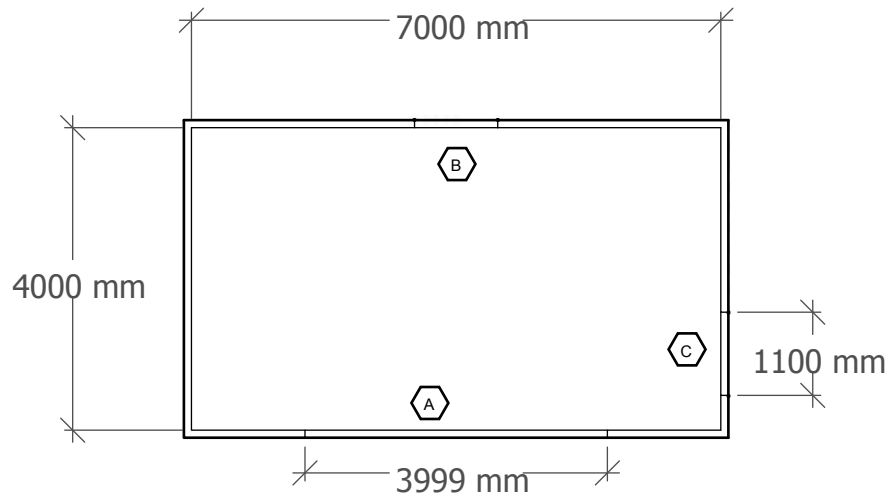
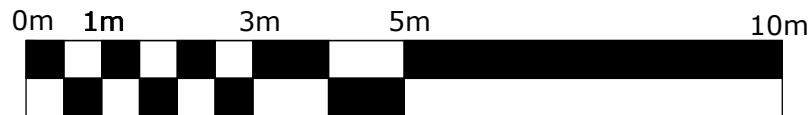


Floor Plan...



Item	Notes
A	4.0m x 2.0m Bifold
B	1.1 x 0.4m High level window
C	1.1m x 1.0m top hung window

A Floor Plan
A00 Scale: 1:100



3 Potters Wood		
Floor Plans		
Date	Job No	Drawing No
20/10/2023	1019	DWG A
Scale	Revision No	Drawn By
1:100 @ A4	P01	Tom Hickey
WELWYN GARDEN ROOMS		