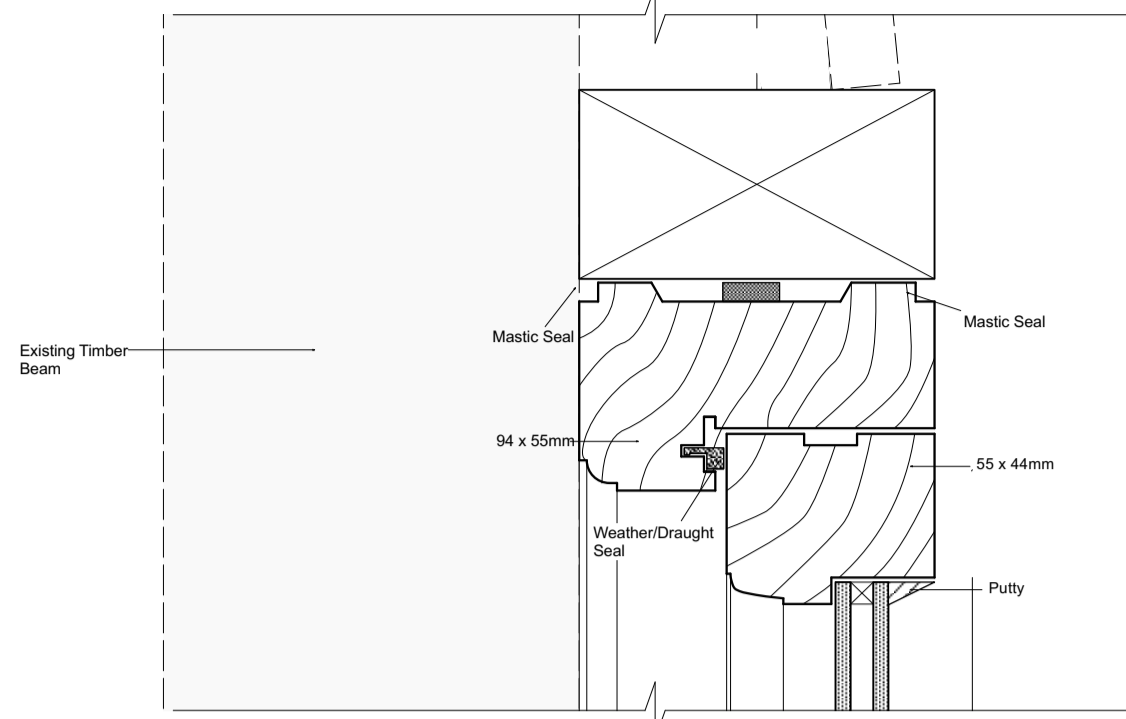
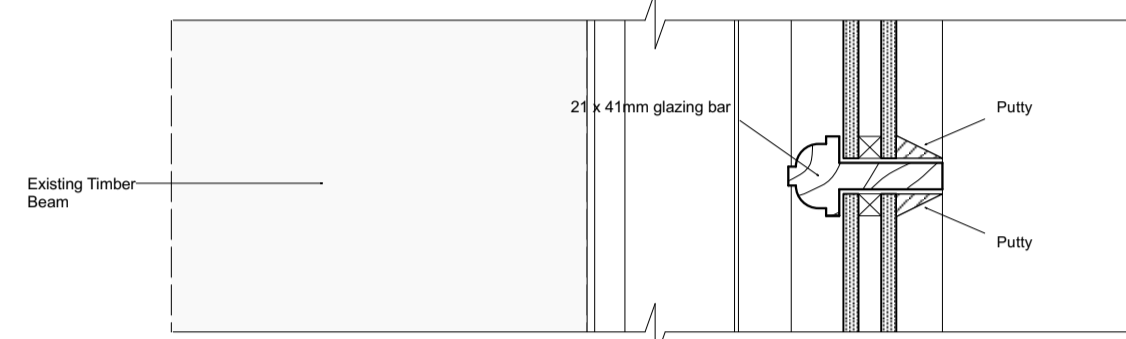


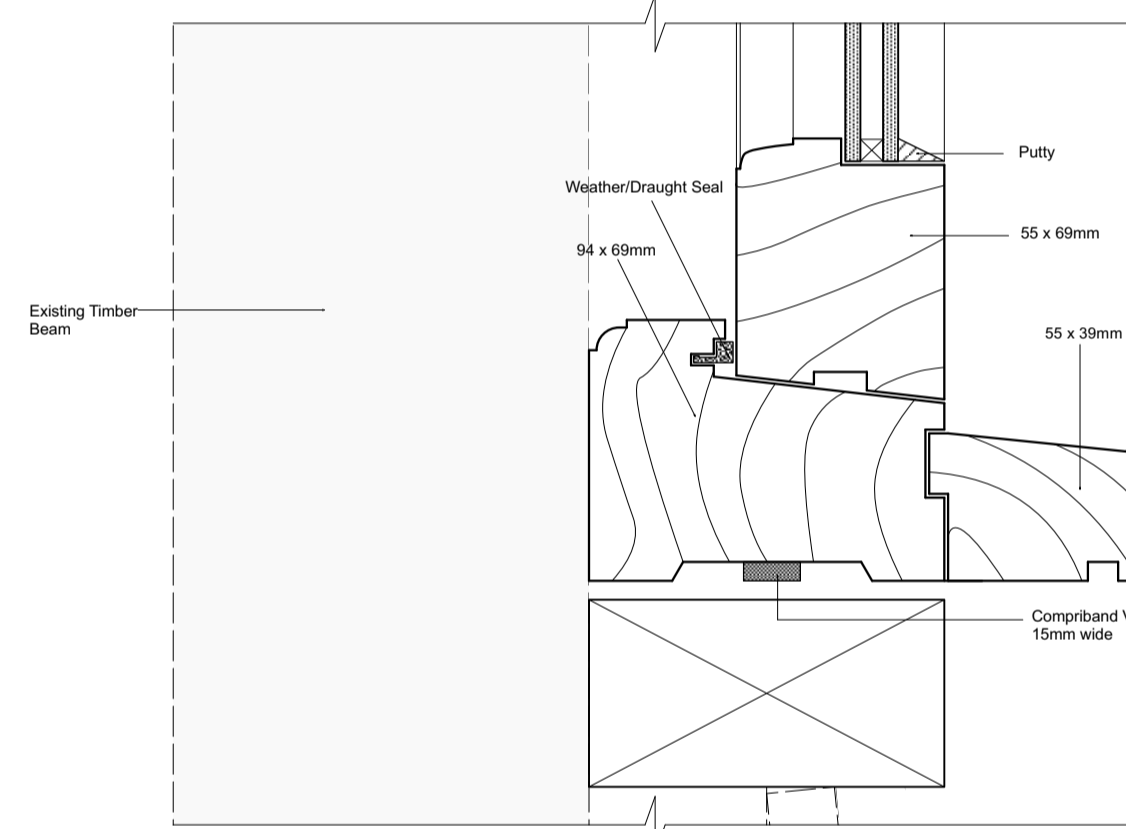
BUILDING 1 - WINDOW DETAILS



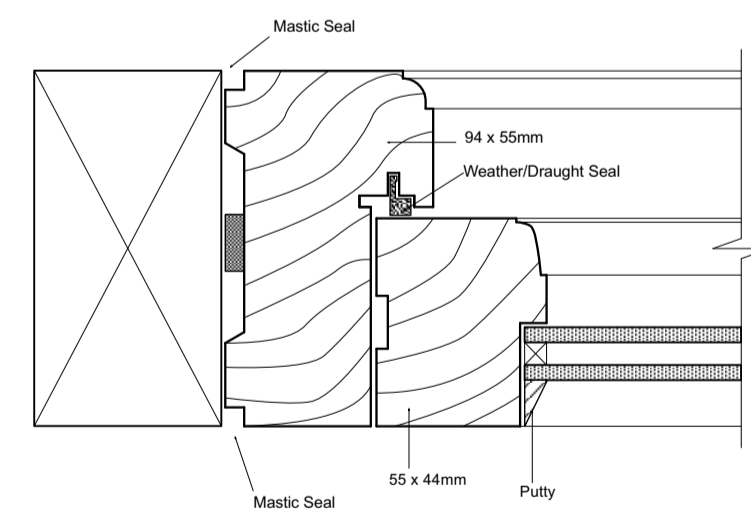
01 WINDOW HEAD DETAIL (SECTION) 1:2



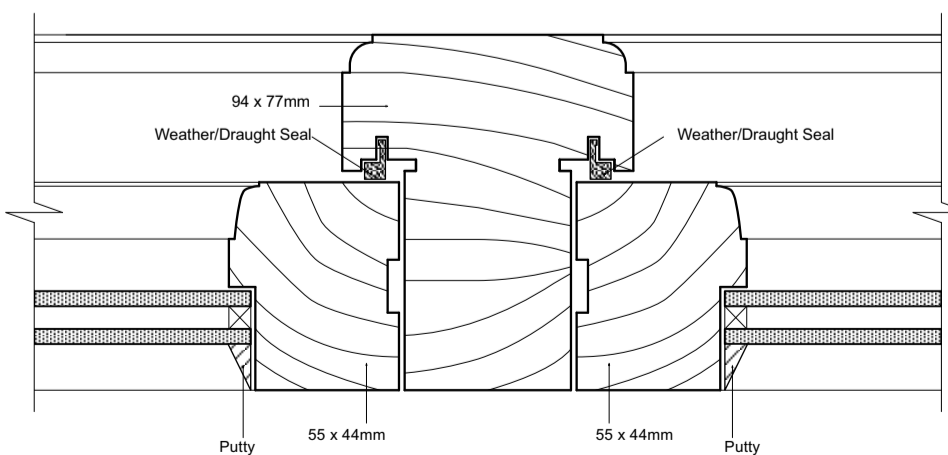
02 WINDOW GLAZING BAR DETAIL (SECTION) 1:2



03 WINDOW CILL DETAIL (SECTION) 1:2

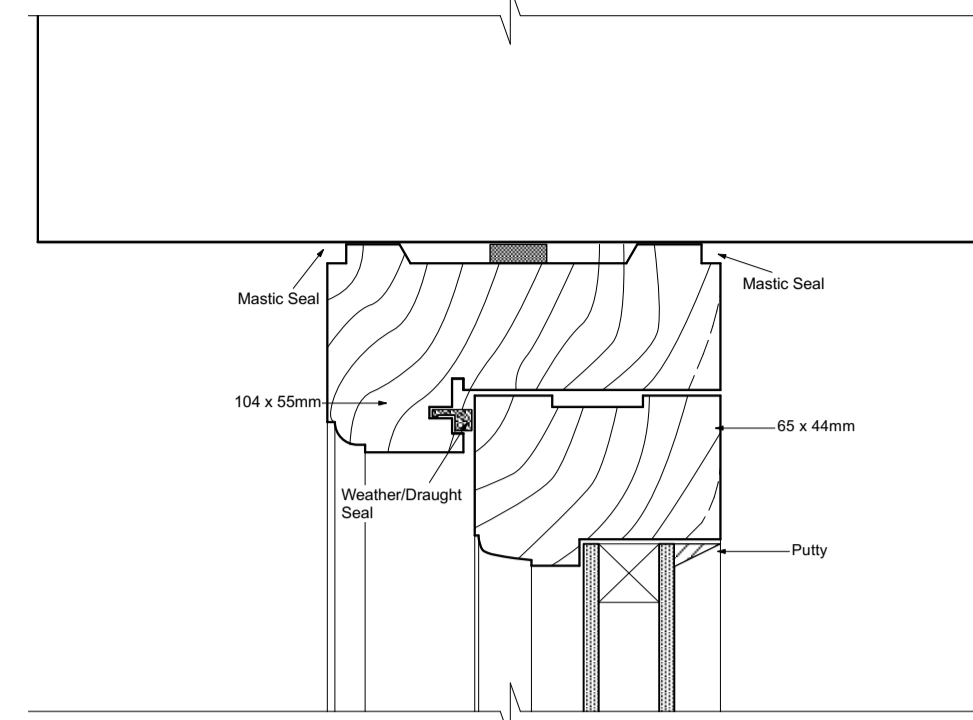


04 WINDOW JAMB DETAIL (PLAN) 1:2

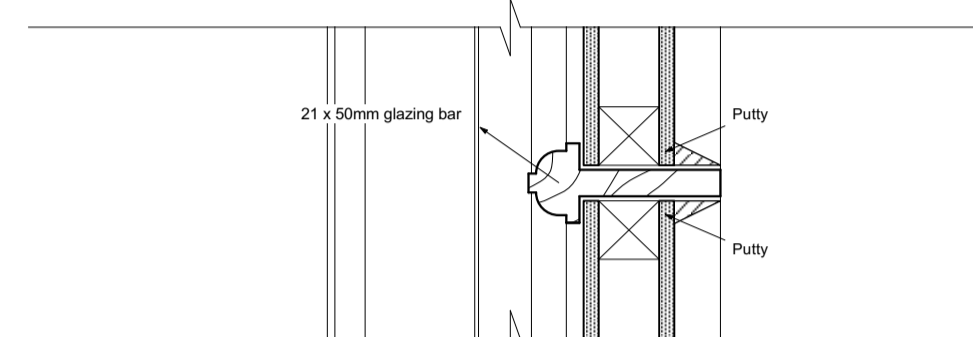


05 WINDOW GLAZING BAR DETAIL (PLAN) 1:2

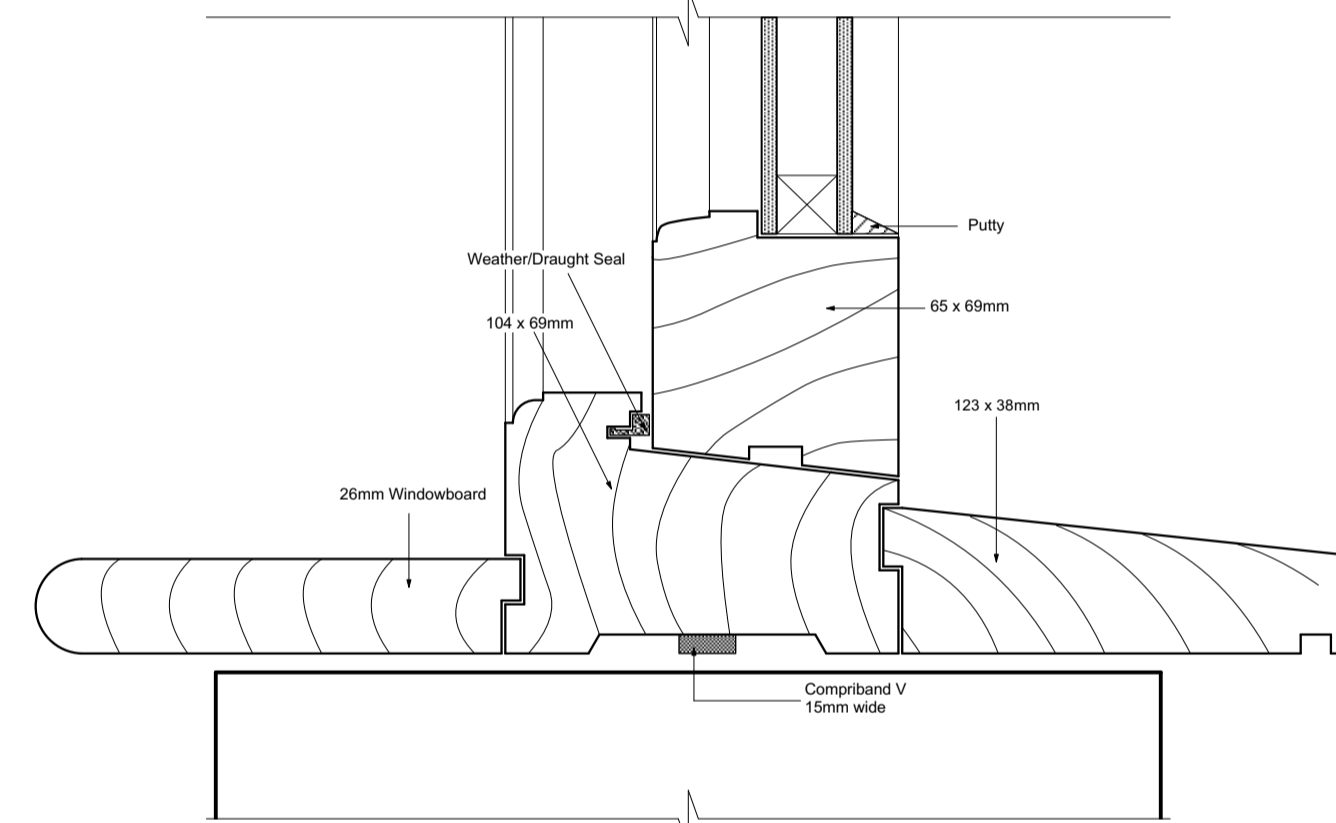
BUILDING 2 WINDOW DETAILS



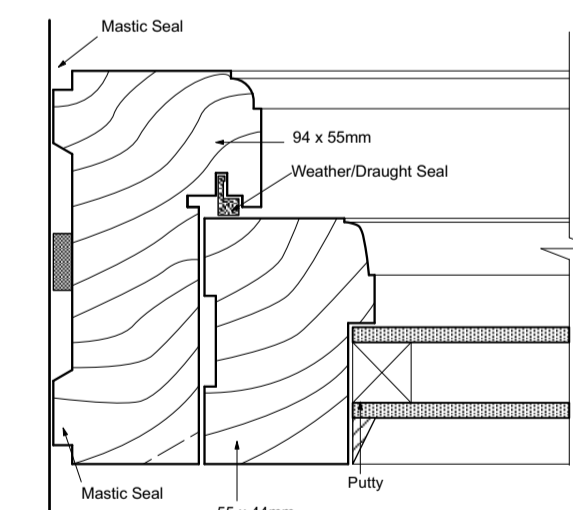
06 WINDOW HEAD DETAIL (SECTION) 1:2



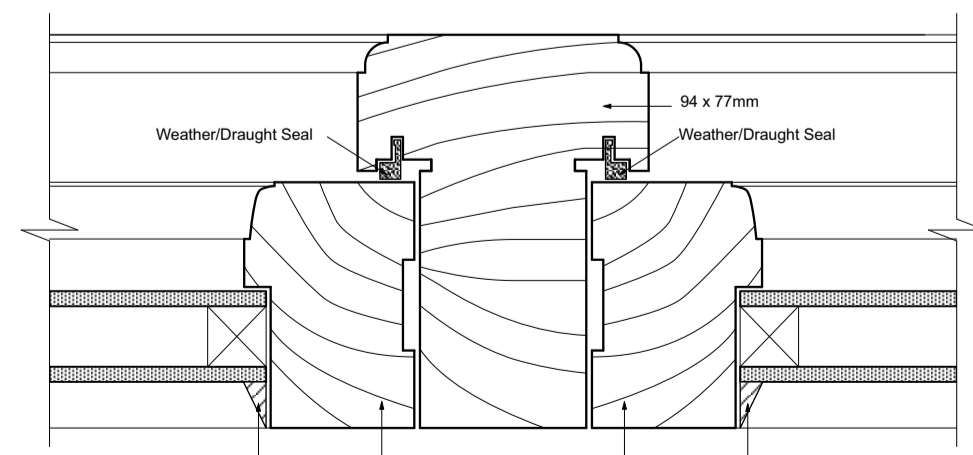
07 WINDOW GLAZING BAR DETAIL (SECTION) 1:2



08 WINDOW CILL DETAIL (SECTION) 1:2

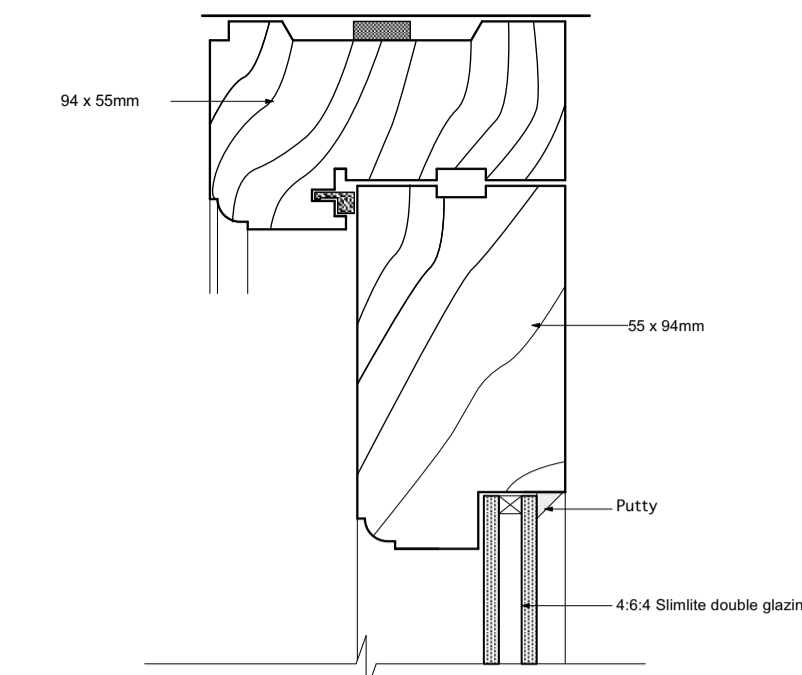


09 WINDOW JAMB DETAIL (PLAN) 1:2

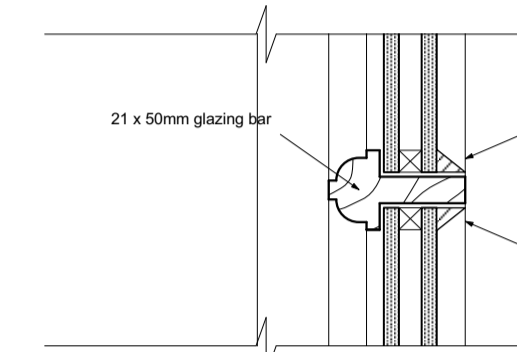


10 WINDOW GLAZING BAR DETAIL (PLAN) 1:2

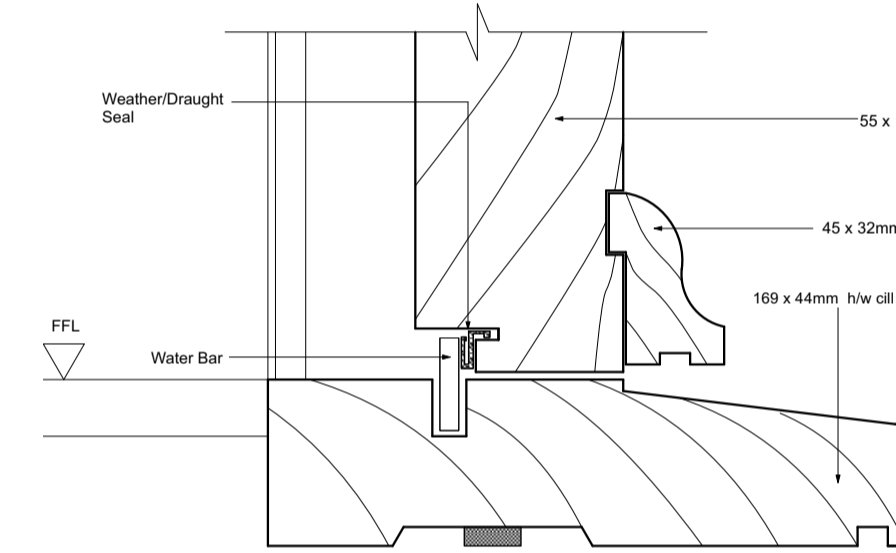
GLAZED DOOR DETAILS



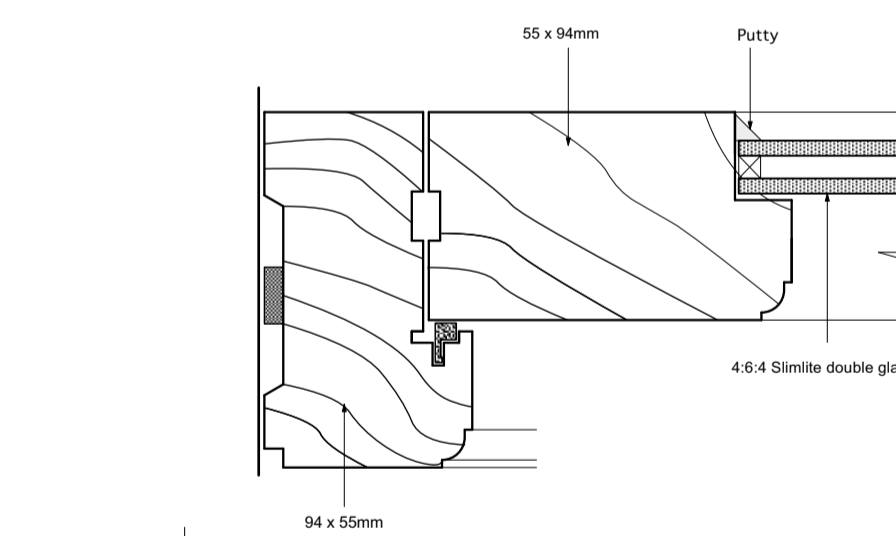
11 DOOR HEAD DETAIL (SECTION) 1:2



12 DOOR GLAZING BAR DETAIL (SECTION) 1:2

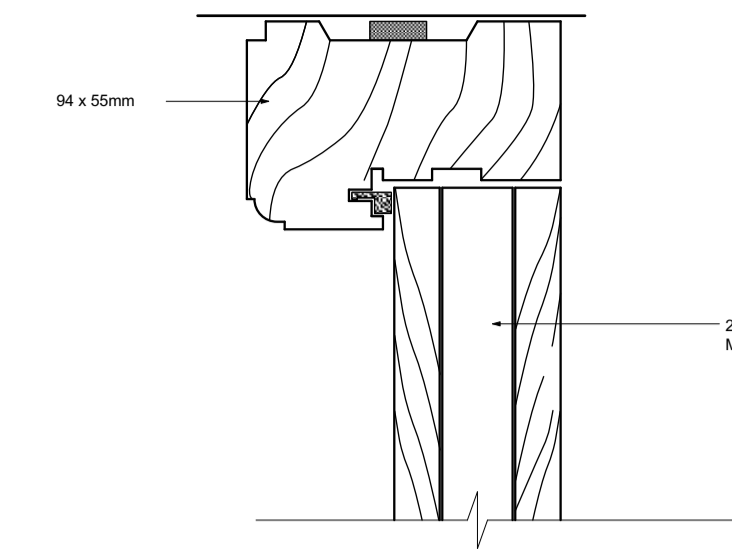


13 DOOR CILL DETAIL (SECTION) 1:2

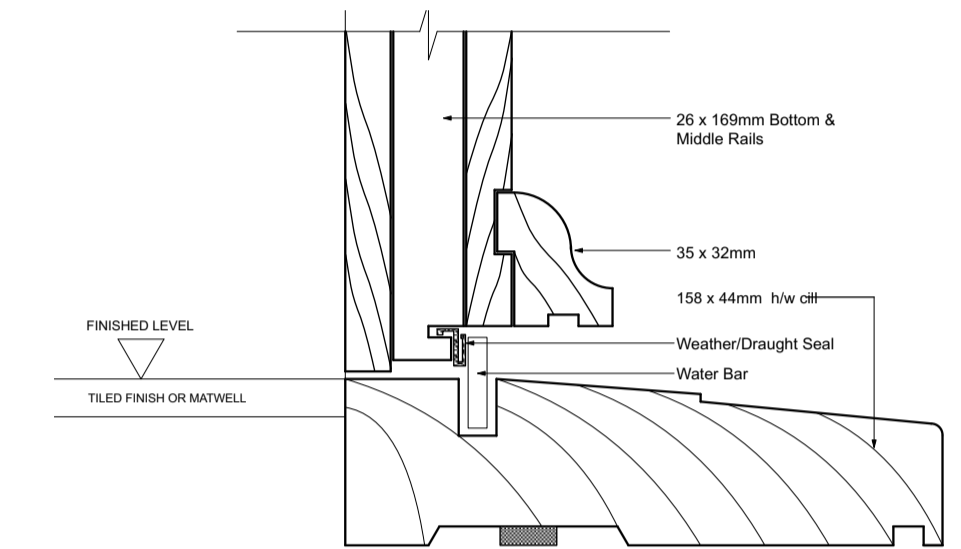


14 DOOR JAMB DETAIL (PLAN) 1:2

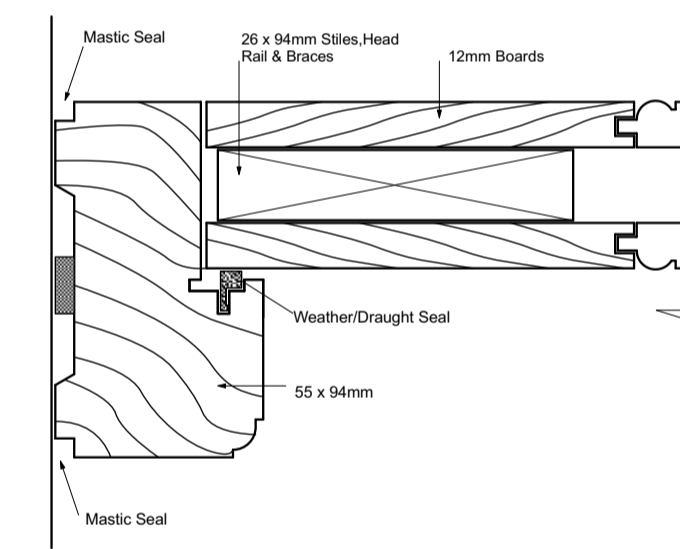
TIMBER DOOR DETAILS



15 DOOR HEAD DETAIL (SECTION) 1:2



16 DOOR CILL DETAIL (SECTION) 1:2



17 DOOR JAMB DETAIL (PLAN) 1:2

REVISION	DESCRIPTION	DATE	DRAWN	CHECK
A	Detail numbers updated	13/07/2023	EB	

JOB NO.	DRAWING NO.	REVISION
5847	PA_55	A

TITLE: Fenestration Details

SCALE: 1:2 SHEET SIZE: A1

ISSUE DATE: 22/06/2023

AUTHOR: FDS CHECK: EB

PROJECT: Newhouse Farm Conversion
Newhouse Farm, Hall Road
Great Bromley, Colchester, CO7 7TP

CLIENT: INOVA

STATUS: PLANNING

WINNER KIEVENAAR
chartered architects

RIBA

Market Place | Highgate | Southwark | SE1 1NF
T: 01473 827952 E: enquiries@wka-architects.co.uk
Do not scale from drawing; work to figured dimensions only.
Copyright © Winner Kievenaar Architects Limited
5847_Building_1_Details.vwx

