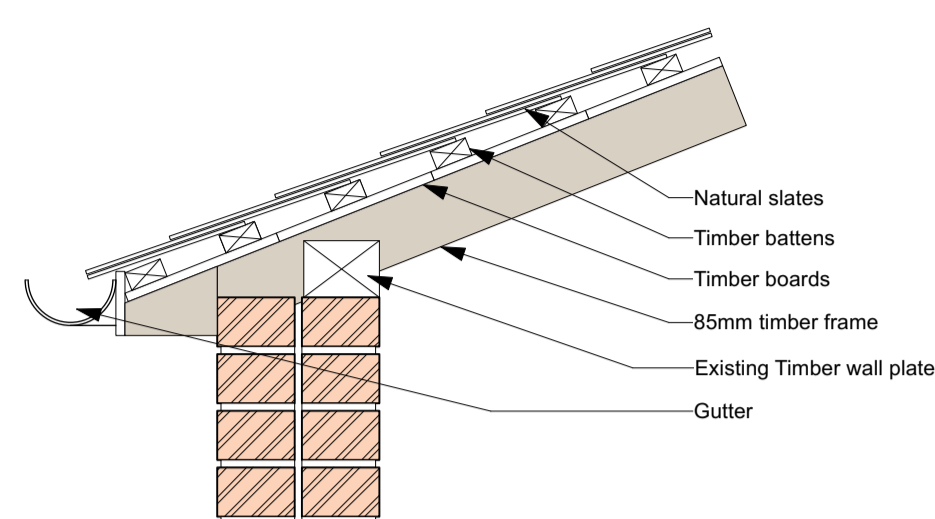
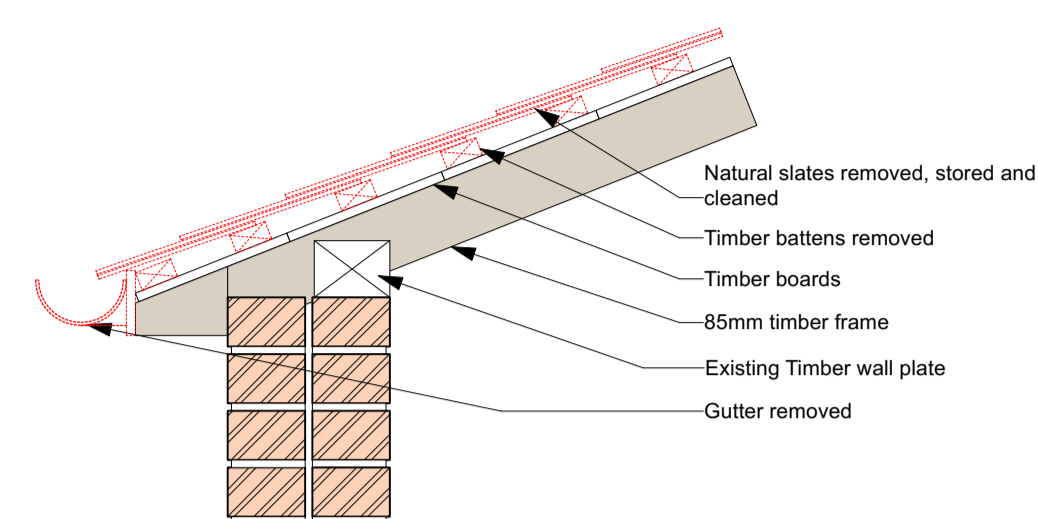


NOTES

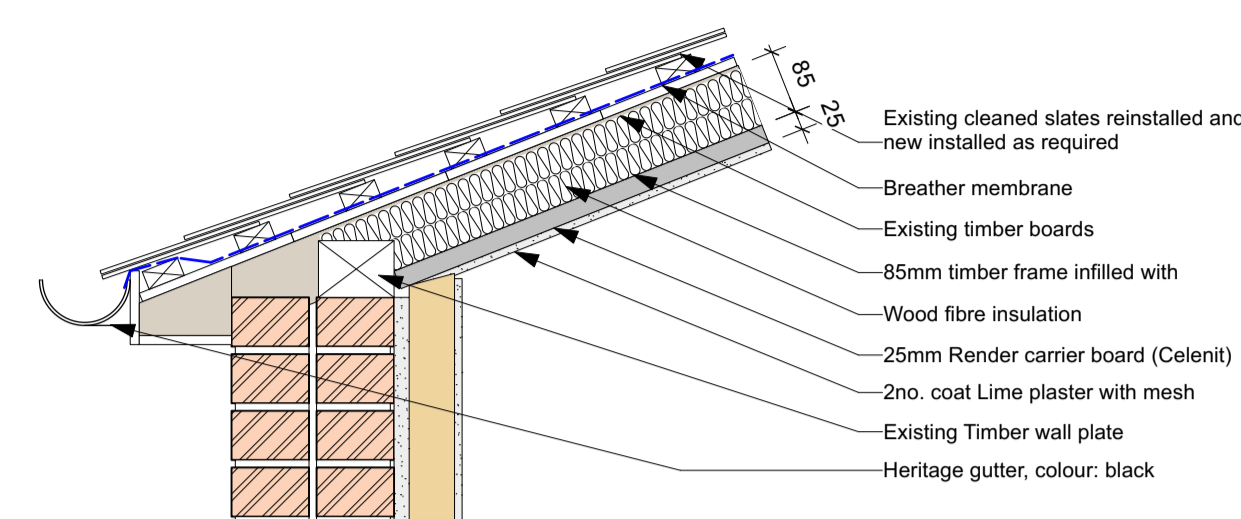
- Dimensions of existing frames and structure to be confirmed on site.
- Trial pits required to confirm extent of existing footings.
- To be read in conjunction with Structural Engineers drawings.



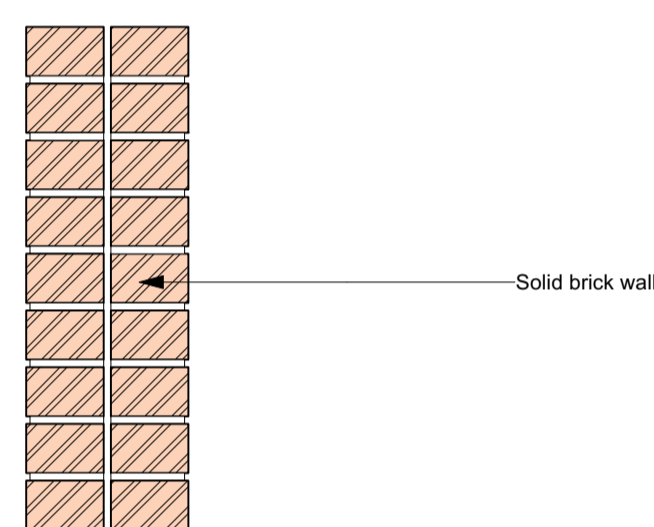
03 | EXISTING TYPICAL ROOF/WALL JUNCTION DETAIL (SECTION) 1:10



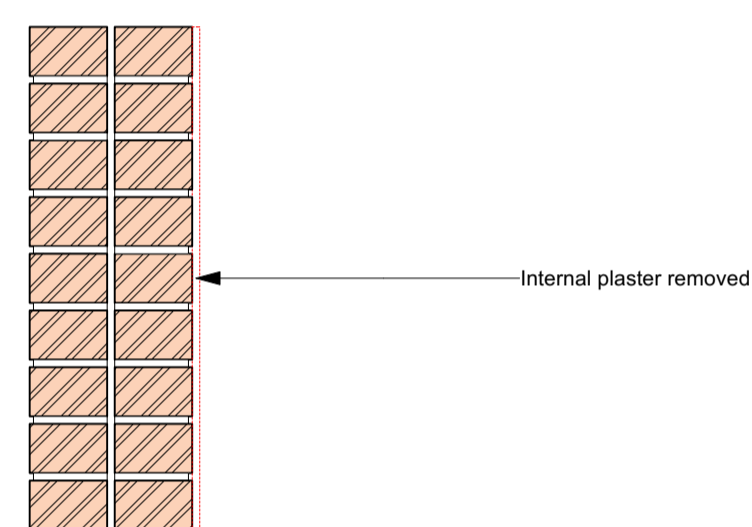
06 | DEMO TYPICAL ROOF/WALL JUNCTION DETAIL (SECTION) 1:10



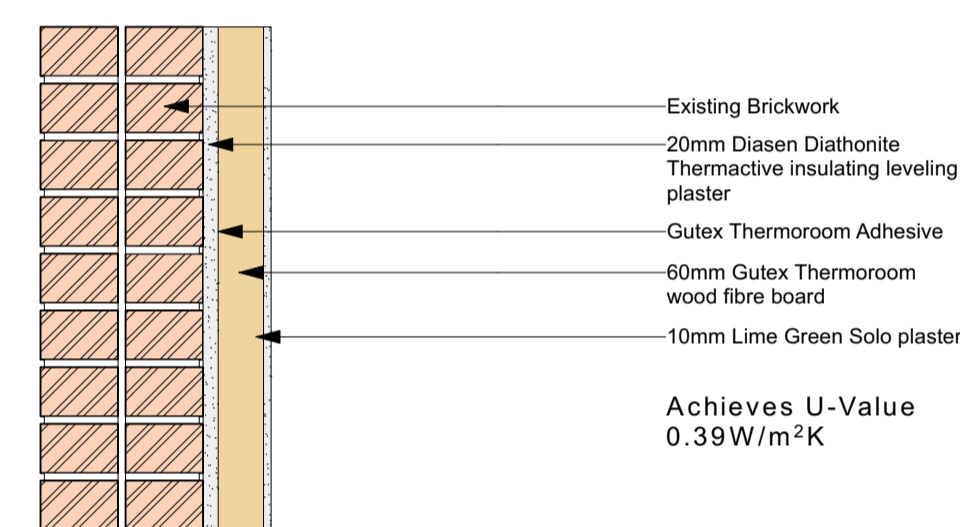
09 | TYPICAL ROOF/WALL JUNCTION DETAIL (SECTION) 1:10



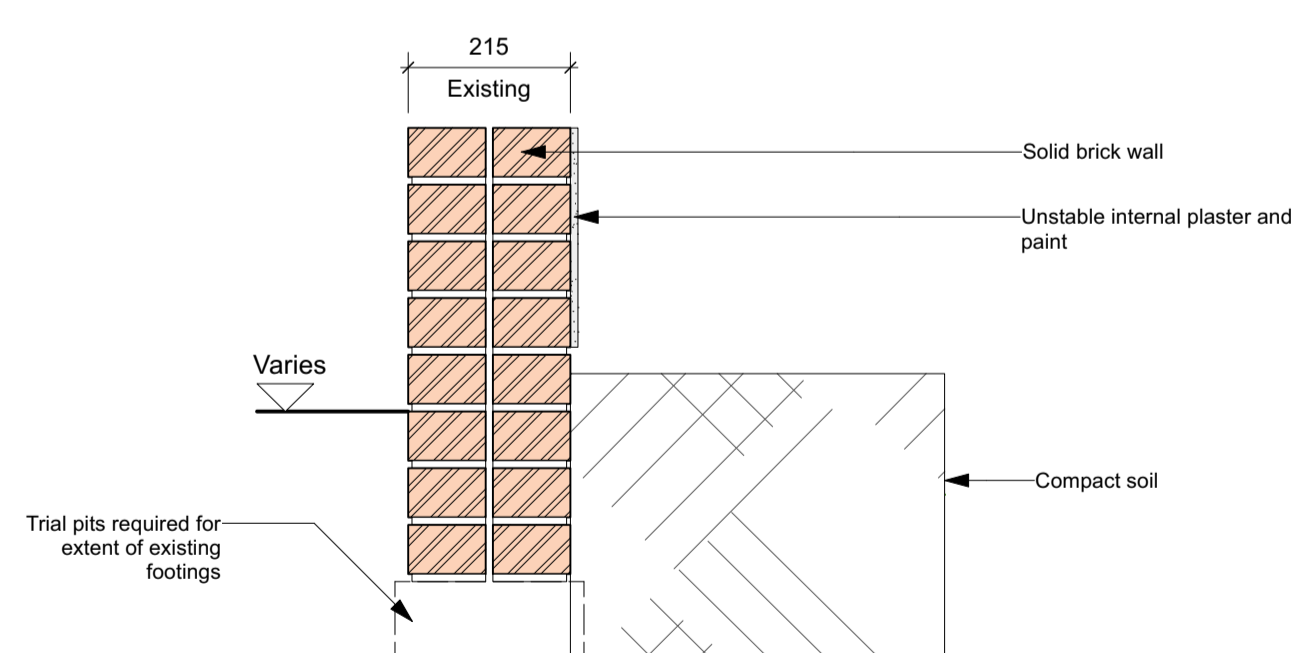
02 | EXISTING TYPICAL WALL DETAIL (SECTION) 1:10



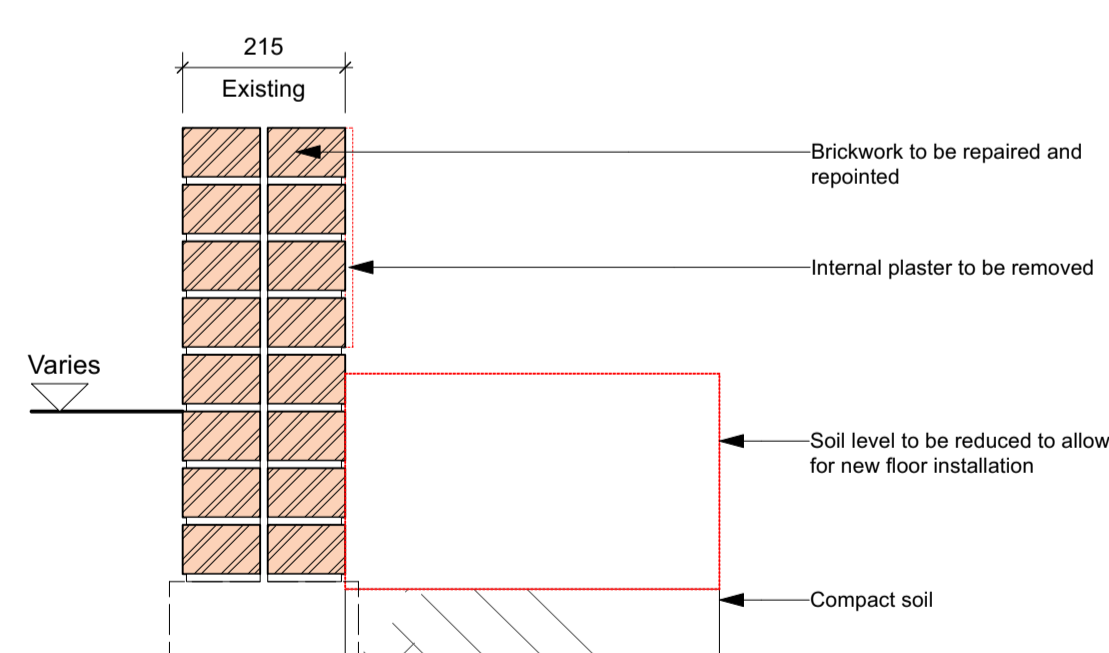
05 | DEMO TYPICAL WALL DETAIL (SECTION) 1:10



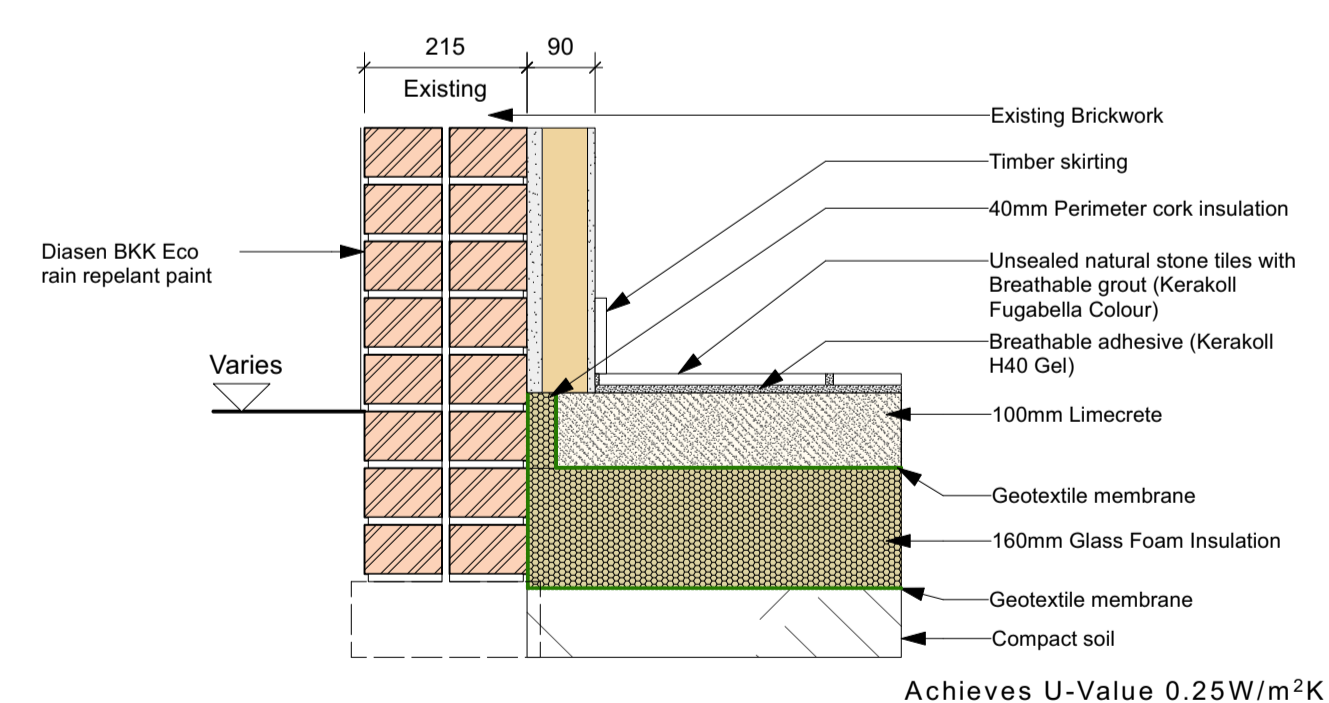
08 | TYPICAL WALL DETAIL (SECTION) 1:10



01 | EXISTING TYPICAL FLOOR/WALL JUNCTION DETAIL (SECTION) 1:10



04 | DEMO TYPICAL FLOOR/WALL JUNCTION DETAIL (SECTION) 1:10



07 | TYPICAL FLOOR/WALL JUNCTION DETAIL - SCREED (SECTION) 1:10

BUILDING 2 WORKSHOP EXISTING DETAILS

BUILDING 2 WORKSHOP DEMO DETAILS

BUILDING 2 WORKSHOP PROPOSED DETAILS

REVISION	DESCRIPTION	DATE	DRAWN	CHECK
----------	-------------	------	-------	-------

JOB NO: **5847** DRAWING NO: **PA_54** REVISION:

TITLE: Plot 6 Workshop External Fabric Details

SCALE: 1:10 SHEET SIZE:

ISSUE DATE: 13/07/2023

AUTHOR: EB CHECK:

PROJECT: Newhouse Farm Conversion
Newhouse Farm, Hall Road
Great Bromley, Colchester, CO7 7TP

CLIENT: INOVA

STATUS: **PLANNING**

