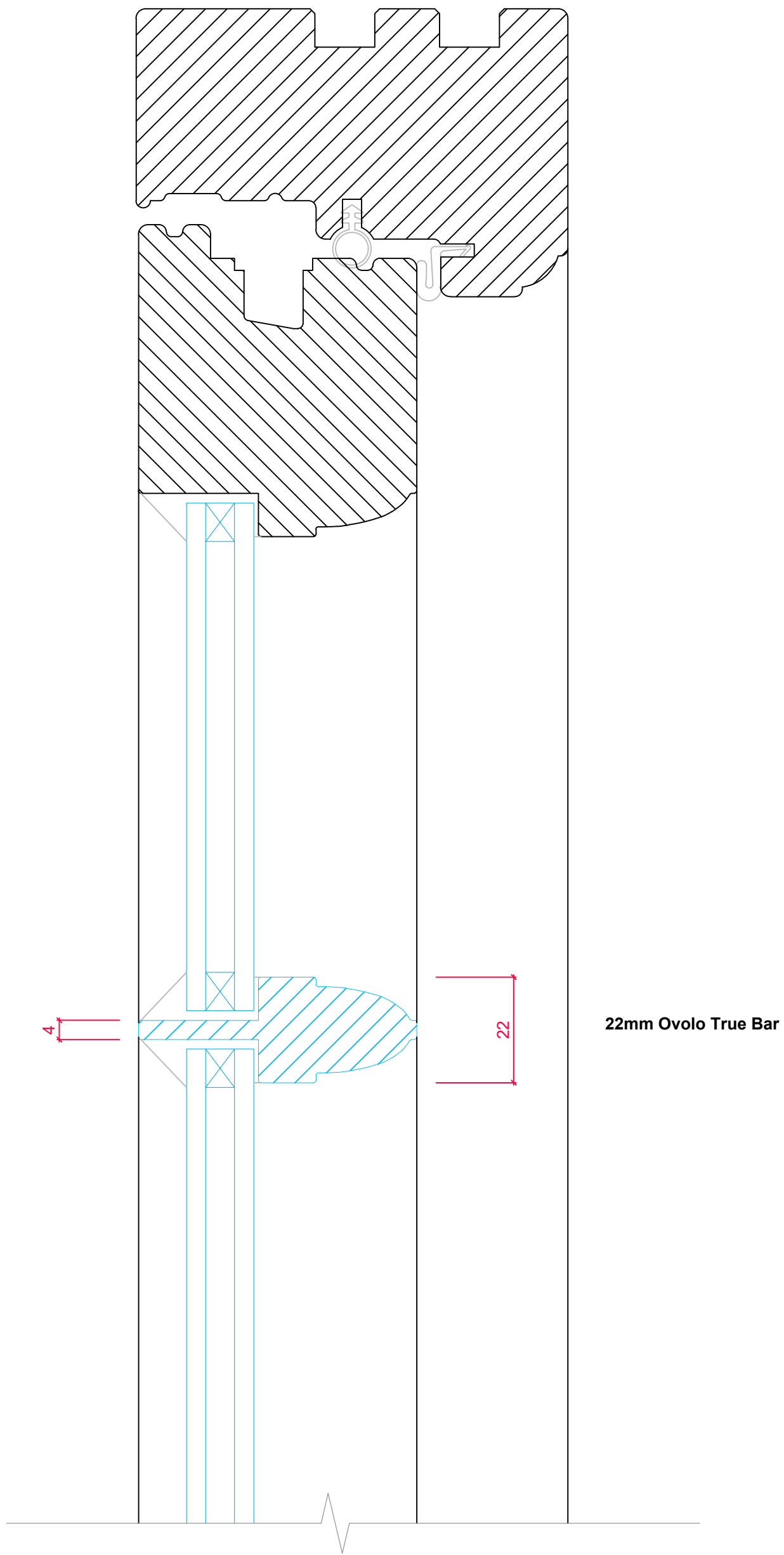


THIS DRAWING AND SPECIFICATIONS ARE THE PROPERTY OF THE PERFORMANCE WINDOW GROUP. THEY ARE ISSUED IN STRICT CONFIDENCE AND SHALL NOT BE REPRODUCED, COPIED OR USED AS THE BASIS FOR MANUFACTURING WITHOUT WRITTEN PERMISSION.



**TOLERANCES**  
UNLESS OTHERWISE SPECIFIED

ALL DIMENSIONS IN MM  
ALL LINEAR DIMENSIONS  $\pm 0.4$   
ALL ANGLE DIMENSIONS  $\pm 0.5^\circ$   
BREAK ALL SHARP EDGES 0.5

PRODUCT RANGE:  
FLUSH CASEMENT (Ovolo)  
14mm Narrow Cavity Unit

TITLE  
VERTICAL SECTION DETAIL  
- OVOLO TRUE BAR DETAIL

DRAWN BY: LH DATE DRAWN: 01/08/2019 SCALE: 1:1