

Ensign[®]

Sewage treatment plants

Intensive biological processing for off-mains wastewater

Overview

The Marsh Ensign is widely regarded as one of the most efficient, reliable and economical sewage treatment plants on the market.

The standard Ensign has been adapted to improve reliability and the Ensign:Ultra now brings unique enhancements to further improve noise level, treatment efficiency and final effluent quality.

Class leading performance

Tested and approved to BSEN12566-3/A1:2009 all Ensign units provide treatment well within national consent requirements. Published test results of 11.5:19.2:8.4mg/ltr (BOD:suspended solids:ammonia), with influent concentrations on test higher than those chosen by most competitor plants, effectively equates to 97% pollutant removal.

Unrivalled choice

Ranging in size from 4 to 50 PE in Ultra, Standard and Shallow versions of each, and with a wide range of ancillaries, almost all site, consent and budget requirements can be met by units from the range.

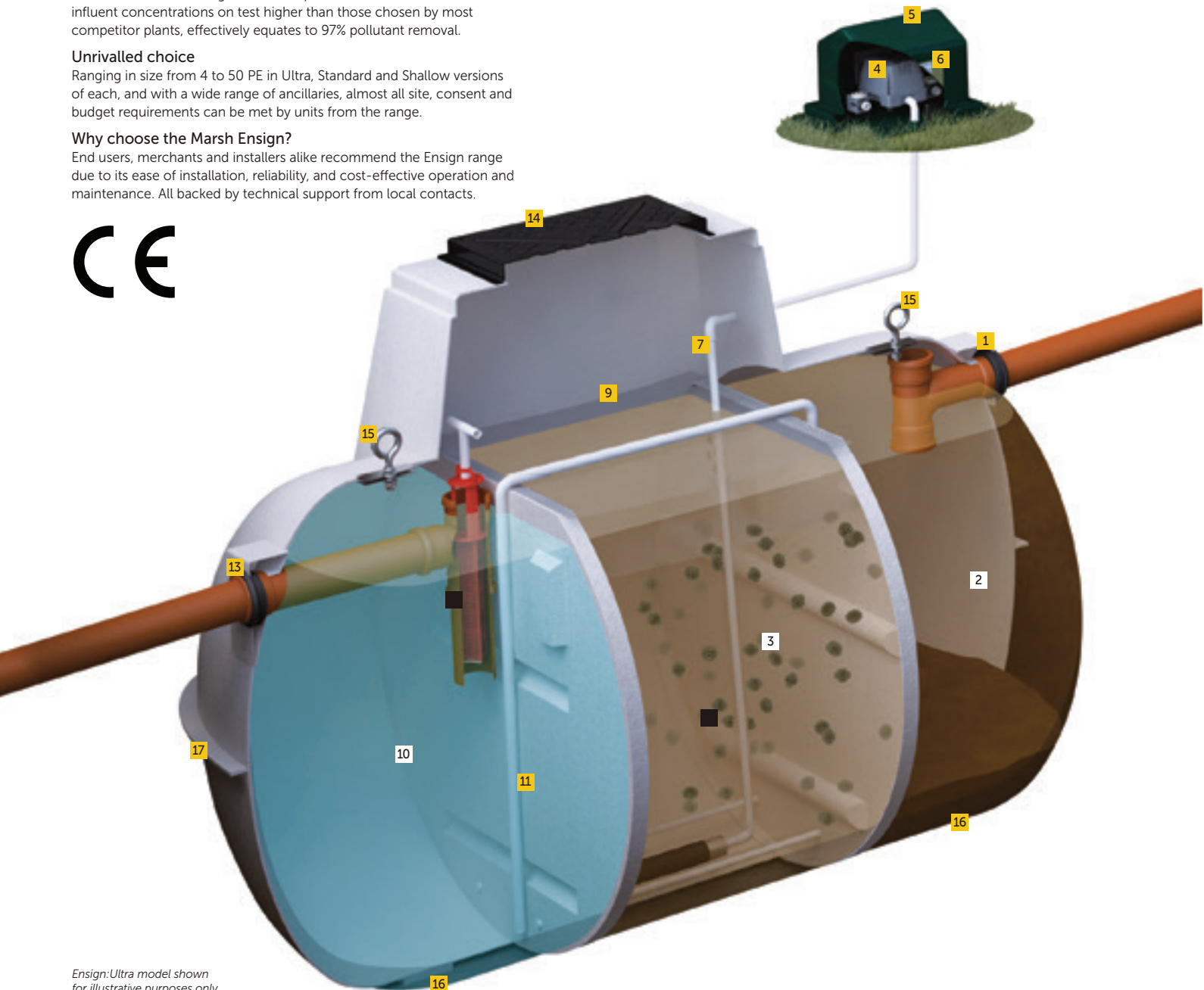
Why choose the Marsh Ensign?

End users, merchants and installers alike recommend the Ensign range due to its ease of installation, reliability, and cost-effective operation and maintenance. All backed by technical support from local contacts.



Operating principle

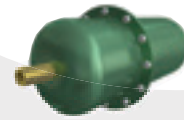
In addition to anaerobic digestion taking place in the primary settlement chamber [2] the Ensign:Ultra unit allows the clarified water to pass into a second 'aeration' chamber [3] where it is treated to remove the dissolved constituents. Here aerobic bacteria, supported by diffused air and mobile media, ensures full treatment is achieved before the treated effluent and 'sloughed off' bacteria flows to a final settlement chamber [10]. The final effluent is then discharged to the drainage field or watercourse via a Polylok filter.



Ensign:Ultra model shown for illustrative purposes only

Benefits

- 1 Inlet with 'Forsheda seal'**
Forsheda seal provides flexibility in the joint for easier installation.
Optional risers to increase invert depth are available.
- 2 Primary settlement chamber**
- 3 Aeration chamber**
- 4 Advanced compressor with alarm (Ensign:Ultra units only)**
Near silent compressor ensures minimal running, maintenance and servicing costs. Integral alarm detects low pressure in air line. (Regular Low-energy compressor on Ensign:Standard models).
- 5 Compressor housing - internal or external options available**
The compressor can be housed internally or externally with no difference in cost.
External recommended to increase compressor life, and supplied as standard on 4PE, shallow and pumped outlet versions.
- 6 RCD/Electrical connection (Ensign:Ultra units only)**
The RCD box provides easier installation and provides a higher degree of safety. (Regular plug/socket connection on Ensign:Standard models).
- 7 PVC pressure pipe/diffuser(s)**
Provides a protective conduit for the air diffuser line. Can be easily removed for maintenance and cleaning.
- 8 Bio-media**
High specification bio-media (310m³ per m²) and membrane diffusers ensure even circulation to eliminate 'dead spots'. The bio-media is contained by a stainless steel securing mesh to ensure no migration during handling or potential flooding.
- 9 Stainless steel mesh**
Retains media in aeration chamber during transportation and handling, and in the event of flooding.
- 10 Final settlement chamber**
- 11 32mm sludge return**
Larger diameter sludge return prevents the possibility of blockages and improves system circulation. Provides higher effluent quality whilst balancing flow over a 24 hour period or periods of intermittent use.
- 12 Unique Polylok tertiary filter (Ensign:Ultra units only)**
The Polylok tertiary filter reduces suspended solids and BOD by a further 40% helping to extend drainage field life.
- 13 Outlet with 'Forsheda seal'**
Forsheda seal provides flexibility in the joint for easier installation.
Optional pumped outlets are available.
- 14 Impermeable lid**
Heavy duty lid/frame improves strength and durability whilst blending into the surrounding environment. (Regular lid on Ensign:Standard models).
- 15 Integral lifting eyes**
For safe and secure on-site handling.
- 16 Stabilising feet**
Stabilising feet prevents the tank from rolling and allows safe and steady transportation and installation.
- 17 Unique 'keying-in' lip**
Assists anchoring into granular or concrete surrounds.



Whisspurr
Acoustic Vibration Reduction (AVR) unit
Suitable for all types of diaphragm compressors.
See page 14.

Guidance notes

Package Sewage Treatment Plant's (or PSTP's) are often a suitable option where groundwater in the surrounding environment is vulnerable, drainage field percolation values are restrictive, or direct discharge to a water course or surface water sewer is the preferred discharge method.

- *PSTP's should be sized using the latest version of British Water Flows & Loads which provides detailed information on sewage production figures and sizing calculations*
- *Regulatory authorities for the control of pollution in the UK normally require treatment plants conforming to BSEN12566:3 to be demonstrated as capable of producing a minimum effluent discharge quality of 20:30:20 (Biochemical Oxygen Demand; Suspended Solids; Ammoniacal Nitrogen in mg/ltr), although in certain areas more stringent site-specific qualities may be required*
- *No surface water should enter the system as this can reduce the system's capacity and cause solids to be flushed out which may prematurely block drainage field or cause pollution*
- *As with septic tanks sludge should be removed annually or in line with manufacturers instructions*

Many domestic sewage treatment plants offered by "internet resellers" claim to hold EN12566-3 compliance. This does not necessarily mean compliance with the UK National Forward, May 2007.

These plants may have been tested in their country of origin but not tested to the same criteria as Marsh Industries, where we strictly adhere to the UK National Forward. Contact contracts@marshindustries.co.uk for more information.

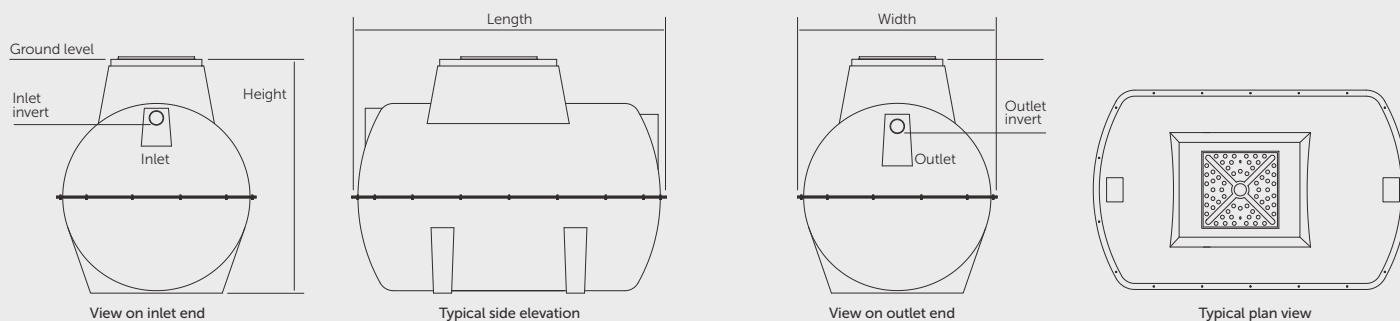


“

The Marsh Ensign is widely regarded as one of the most efficient, reliable and economical sewage treatment plants on the market

Specifications

Ensign:Ultra and Ensign:Standard



Ensign:Ultra and Ensign:Standard

Model (Pop)	Length +/-50mm	Width +/-50mm	Height +/-50mm	Inlet		Outlet	
				Invert	Ø	Invert	Ø
4	1600	1332	1575	540	110	600	110
6	2602	1650	1935	550	110	625	110
8	2602	1650	1935	550	110	625	110
10	2602	1650	1935	550	110	625	110
12	2860	1912	2139	550	110	625	110
16	2860	1912	2284	720	110	800	110
20	3650	1912	2284	720	160	800	160
25	3650	1912	2284	770	160	850	160
30	4200	1912	2284	770	160	850	160
35	4200	1912	2284	770	160	850	160
40	5200	1912	2284	770	160	850	160
45	5200	1912	2284	770	160	850	160
50	5200	1912	2284	770	160	850	160

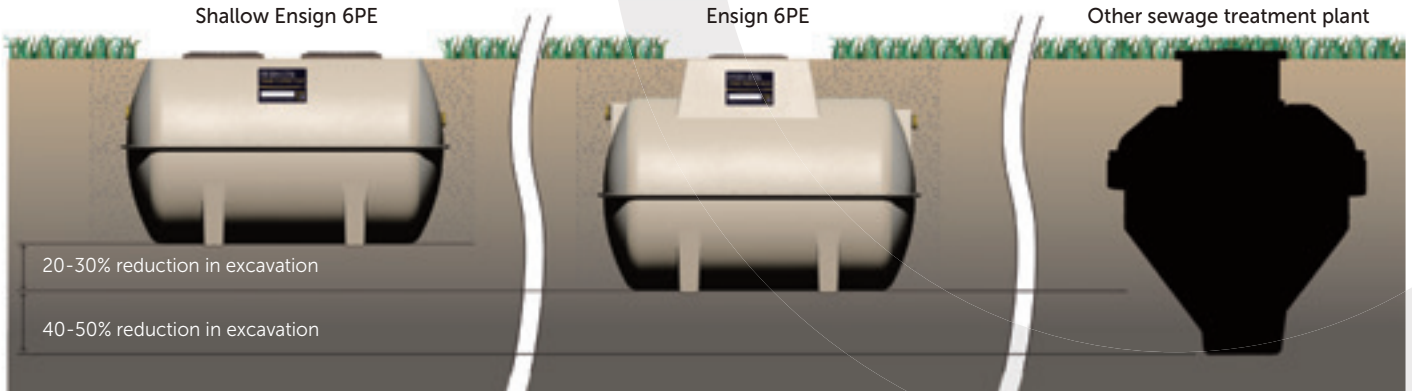
Notes:

- > Larger population sewage treatment plants may be supplied as multiple tank configurations.
- > For precise tank sizes and configurations, please contact Marsh Industries
- > All dimensions in mm

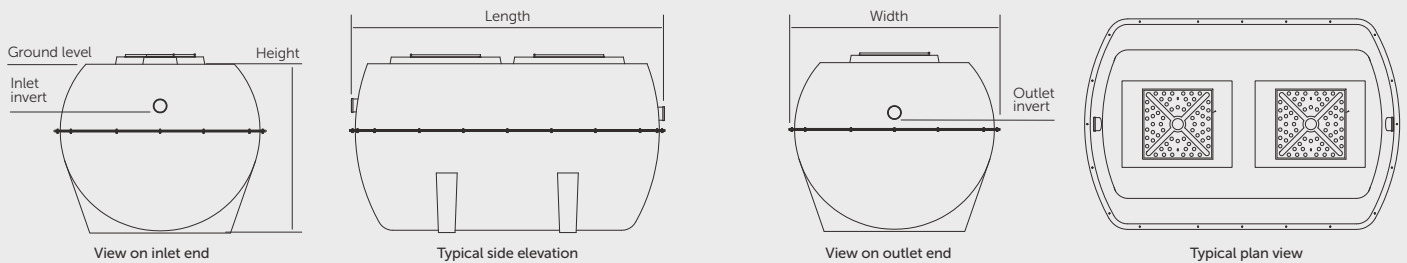
Shallow units

Common sewage treatment plants on the market often exceed 2.3m high. Marsh Industries offer a range of shallow plants from 4-35PE that are only 1.6m in height, meaning installation is not only possible*, but easier and safer too.

*Shallow Ensign's are often favoured when hard rock site conditions mean deeper alternatives, involving costly and time-consuming excavation.



Shallow Ensign:Ultra and Shallow Ensign:Standard



Shallow Ensign:Ultra and Shallow Ensign:Standard

Model (Pop)	Length +/-50mm	Width +/-50mm	Height +/-50mm	Inlet		Outlet	
				Invert	Ø	Invert	Ø
6	2860	1912	1600	500	110	575	110
8	2860	1912	1600	500	110	575	110
10	2860	1912	1600	500	110	575	110
12	2860	1912	1600	500	110	575	110
16	3400	1912	1600	500	110	575	110
20	4200	1912	1600	500	160	575	160
25	4200	1912	1600	500	160	575	160
30	5200	1912	1600	500	160	575	160
35	5200	1912	1600	500	160	575	160

Notes:

- > Larger population sewage treatment plants may be supplied as multiple tank configurations.
- > For precise tank sizes and configurations, please contact Marsh Industries
- > All dimensions in mm