

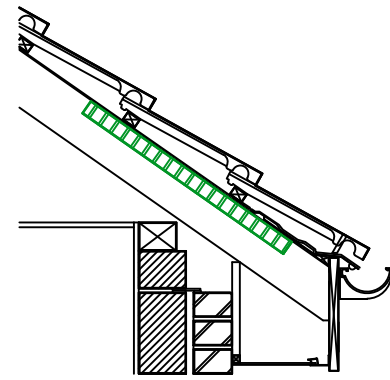
© THIS DRAWING IS A COPYRIGHT OF BARKER ASSOCIATES.

NOTES:

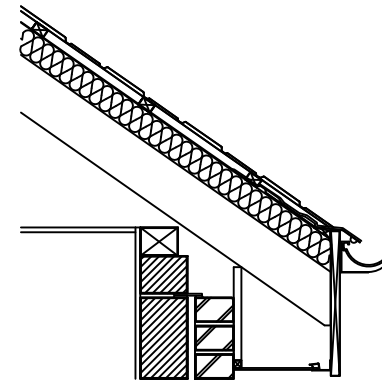
TREE POSITIONS SHOWN ARE INDICATIVE

LEGEND:

 EXISTING PV SYSTEM



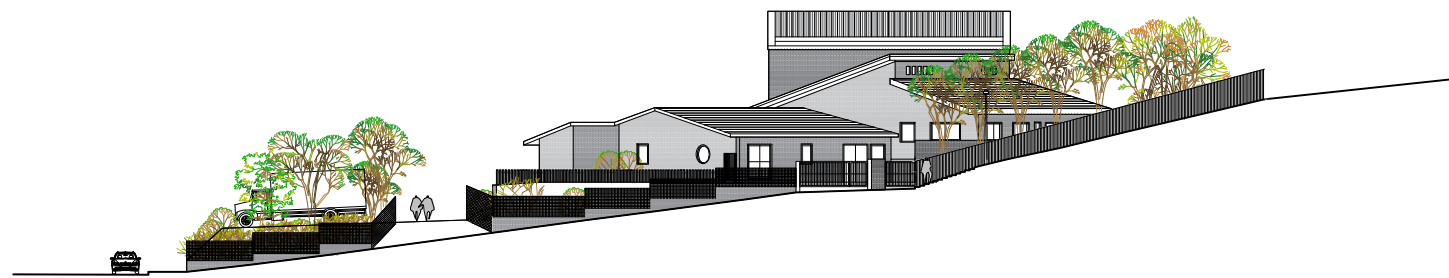
EXISTING ROOF DETAIL
(1:20)



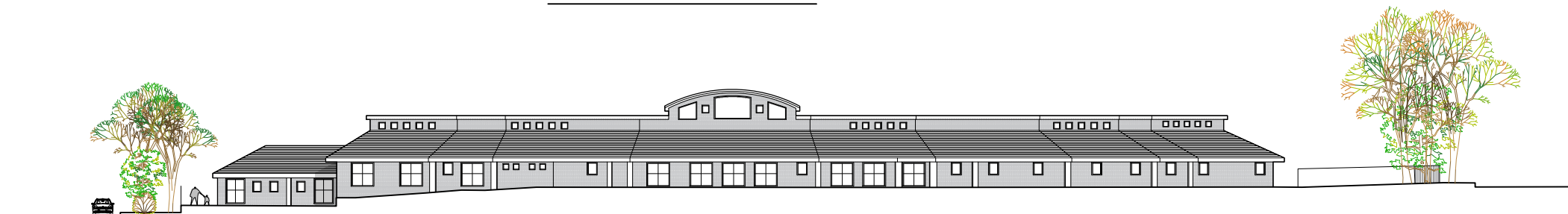
PROPOSED ROOF DETAIL
(1:20)



SOUTH WEST ELEVATION



SOUTH EAST ELEVATION



NORTH EAST ELEVATION

Drawing Status:			
PLANNING			
P01	FOR PLANNING	Oct. 23	CC

Rev	Description	Date	By



MAJESTY HOUSE, AVENUE WEST
SKYLINE 120, BRAINTREE
ESSEX, CM77 7AA
T: 01279 647111
W: www.barker-associates.co.uk
E: mail@barker-associates.co.uk

Client: **SAMPHIRE STAR EDUCATION TRUST**

Project Title:
**SHATTERLOCKS INFANT AND NURSERY SCHOOL
ROOFING REMEDIAL WORKS
HEATHFIELD AVENUE, CT16 2PB**

Drawing Title:
SITE ELEVATIONS

Drawn CC	Checked NG	Scale 1:500 @ A3	Date Oct. 23
-------------	---------------	---------------------	-----------------

BUILDING SURVEYING

Drawing Number P22793-BA-ZZ-ZZ-DR-B-2200		Project No. P22-0793
Status S1	Revision P01	