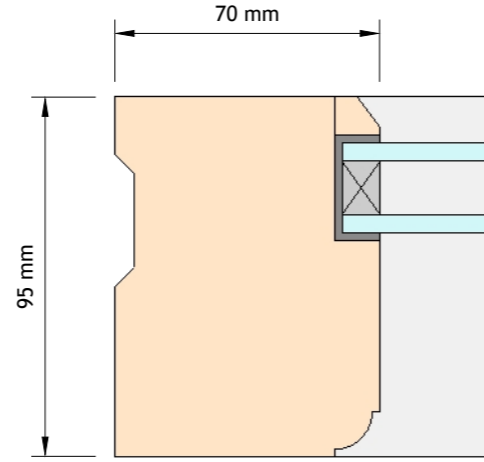
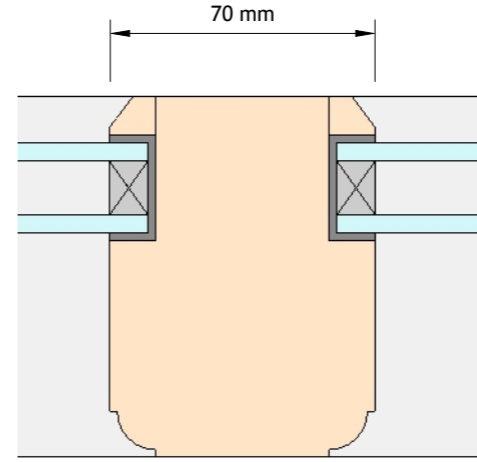


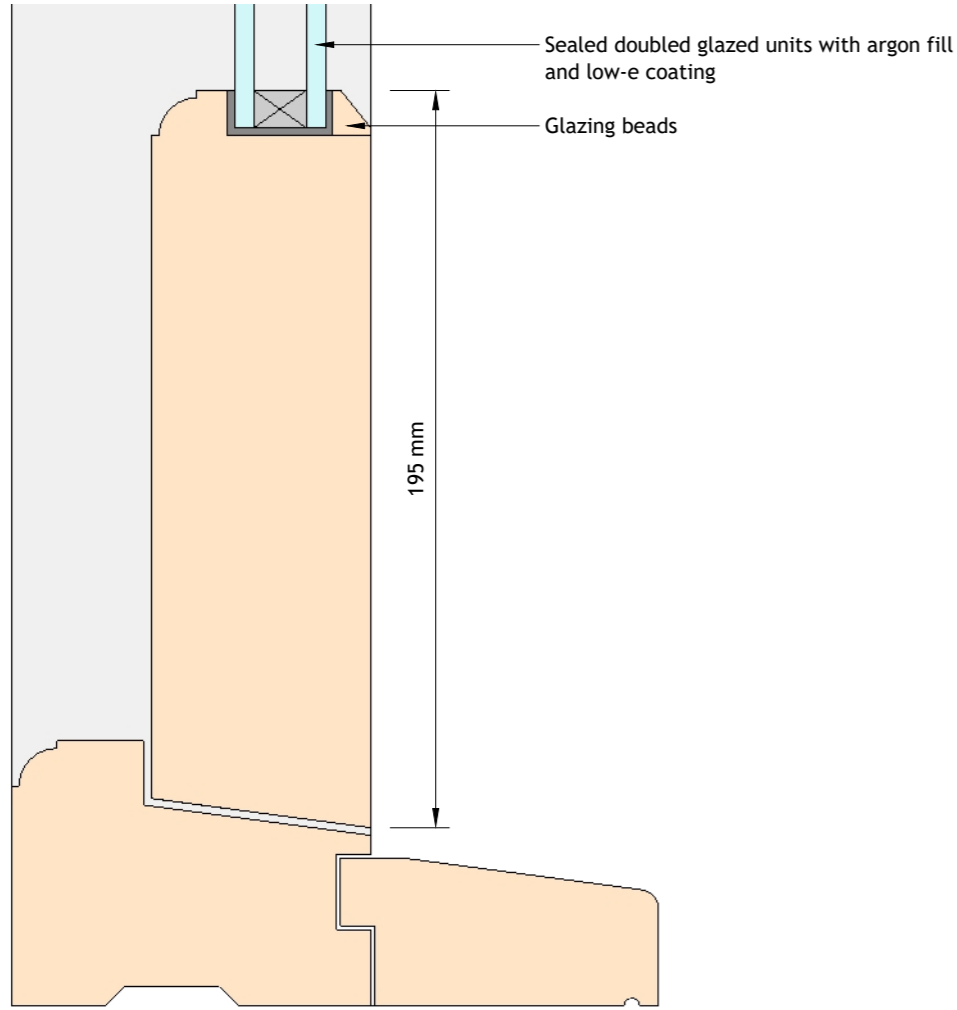
FL-02
Fixed Light Head



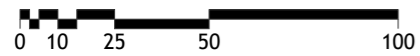
FL-03
Fixed Light Jamb



FL-04
Fixed Light Mullion



FL-01
Fixed Light Cill



1:2 SCALE BAR IN MILLIMETRES AT A3

2306.8120.P0 Proposed Joinery Details 2



Client: Mr&Mrs Marshall
Project: Alterations and Cart Lodge
Address: Manor Barn, Norton Little Green, IP31 3NN

Drawing Number: 2306.8120
Drawing Name: Proposed Joinery Details 2
Revision: P0
Issue Date: 30/06/2023

Stage 3 (P-Planning)
This document is an RIBA Stage 3 document. The information illustrated on this drawing is for planning information only. Theo Arch Tech accepts no liability for use of this drawing beyond that for which it was issued.

Registered in England 13542097
Website: www.theoarchtech.co.uk

Email: mail@theoarchtech.co.uk

This drawing and any illustrated designs are Copyright © 2023 Theobald Architectural Technology Limited (Theo Arch Tech) Any unauthorised reproduction and use, in whole or in part, is a breach of UK Copyright Law and may be subject to legal action.

Theo Arch Tech is the trading name of Theobald Architectural Technology Limited.
Tel: 07542 031054