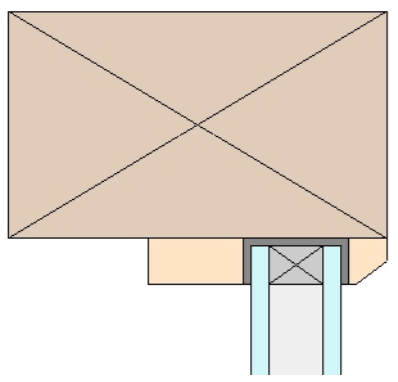
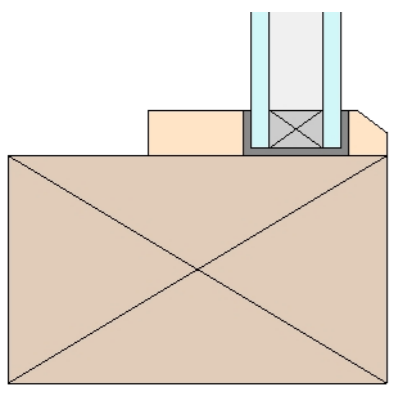


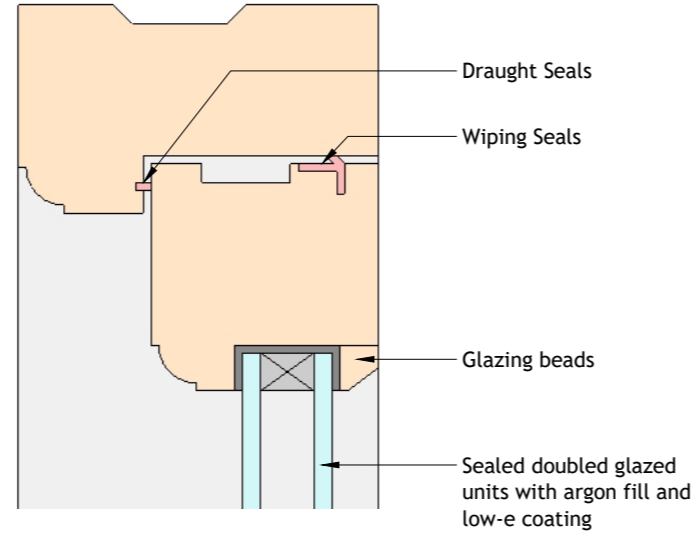
DG-03
Direct Glazing Jamb



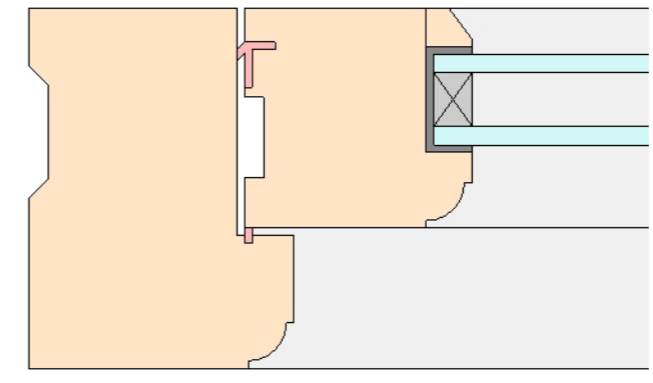
DG-02
Direct Glazing Head



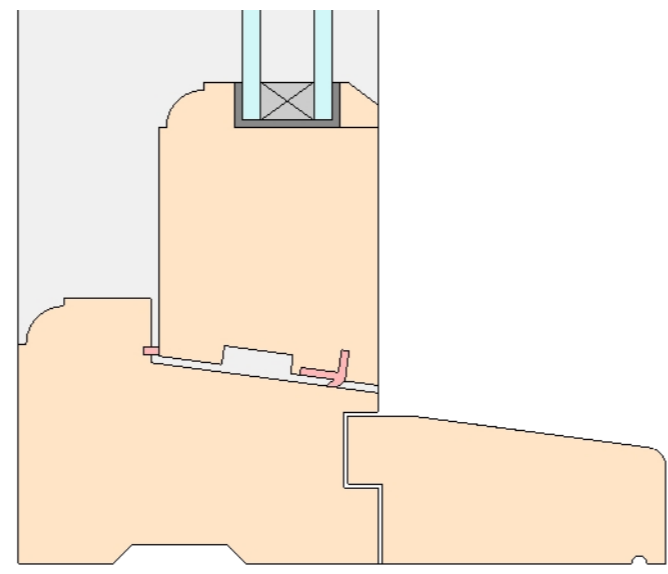
DG-01
Direct Glazing Cill



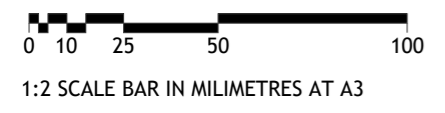
C-02
Casement Window Head



C-03
Casement Window Jamb



C-01
Casement Window Cill



2306.8140.P0 Proposed Joinery Details 4

Stage 3 (P-Planning)
 This document is an RIBA Stage 3 document. The information illustrated on this drawing is for planning information only. Theo Arch Tech accepts no liability for use of this drawing beyond that for which it was issued.

Drawing Number: 2306.8140
 Drawing Name: Proposed Joinery Details 4
 Revision: P0
 Issue Date: 30/06/2023

Client: Mr&Mrs Marshall
 Project: Alterations and Cart Lodge
 Address: Manor Barn, Norton Little Green, IP31 3NN

**THEO
ARCH
TECH**