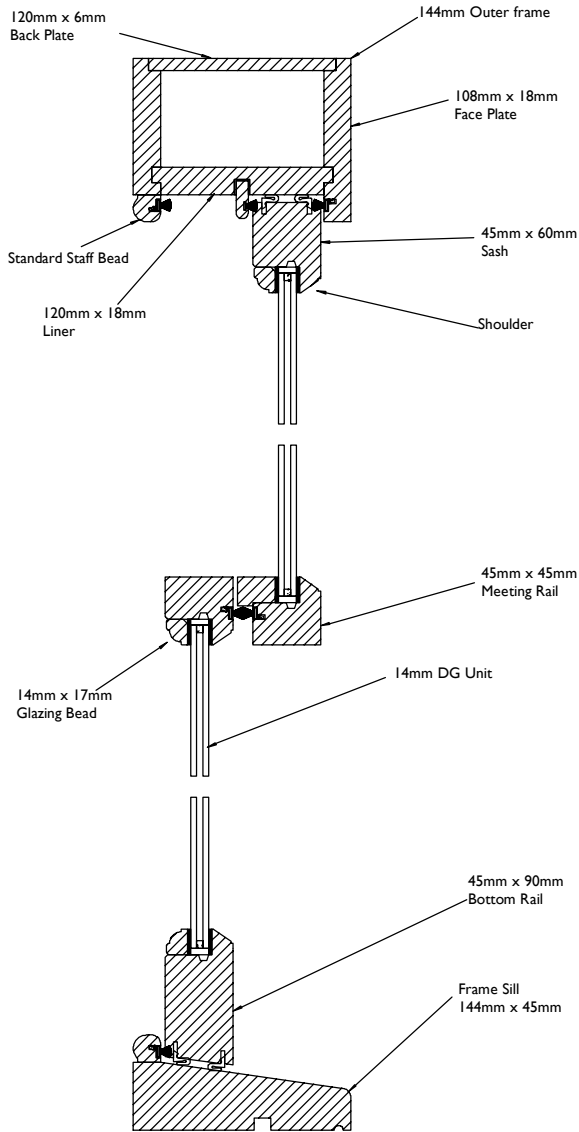




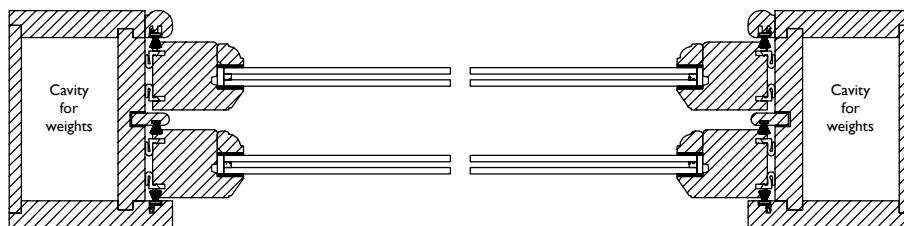
| | | | |
|-----------------------------------|-------------------------|--------------------------|---------------------------|
| Drawing No: I44WPD12 C O I | Date: 18/10/2023 | Drawn By: SLF | |
| Frame Size: 144 | Sash Type: 45 | Glazing: Internal | Unit: 14mm DG Unit |

| | | | |
|----------------------------------|--------------------------|----------------------------|-------------------------|
| Frame Profile: Staff Bead | Shoulder: Chamfer | Glazing Bead: Ovolo | Scale: 1:5 on A4 |
|----------------------------------|--------------------------|----------------------------|-------------------------|

VERTICAL CROSS SECTION



HORIZONTAL CROSS SECTION



This drawing is copyright of Tradezone Windows Ltd. Duplication of this drawing is prohibited without written permission. Due to continual development and improvement of design, Tradezone Windows Ltd reserve the right to change any details.



WCY MARK

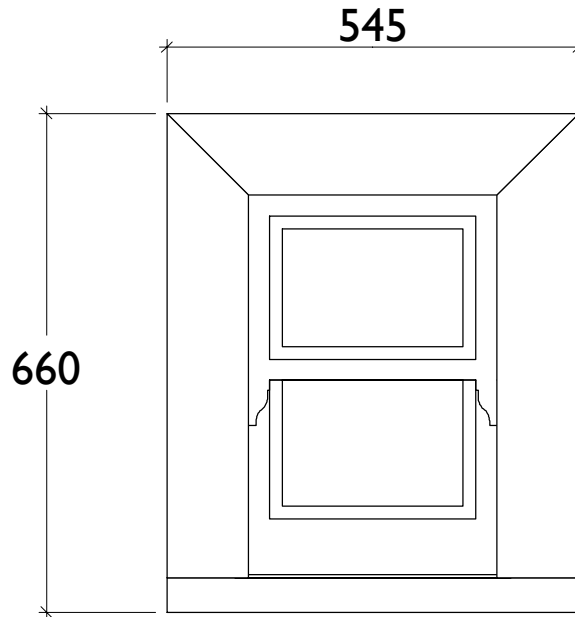
SCALE - 1:10 on A4

Date 18/10/2023

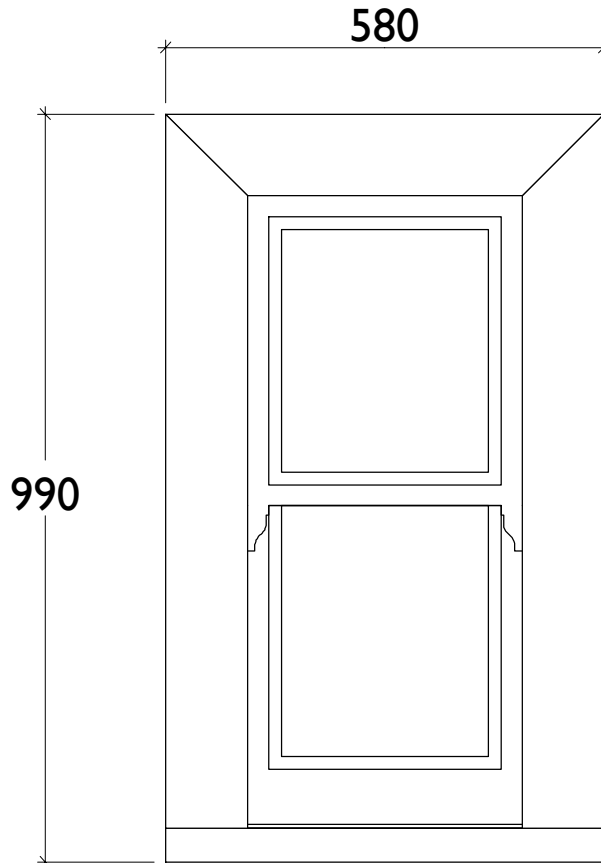
Drg No. 29710

Drawn By SLF

WINDOW 1



WINDOW 2



This drawing is copyright of Tradezone Windows Ltd. Duplication of this drawing is prohibited without written permission. Due to continual development and improvement of design, Tradezone Windows Ltd reserve the right to change any details.

