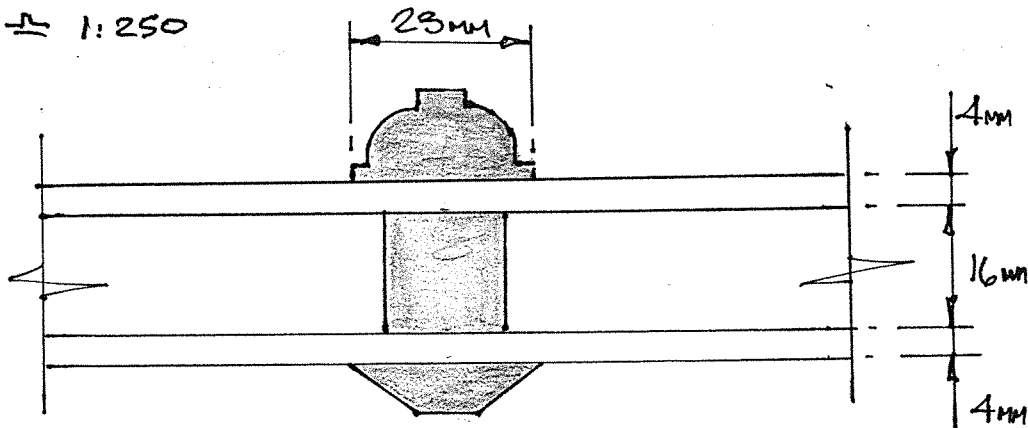


PHOTO OF PROPOSED WINDOW

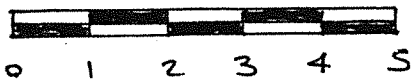
AS INSTALLED @ 17, 19, 11

SCALE  $\frac{1}{2}$  1:250



GLAZING BAR

SCALE 1:1



27 Heathcote Road KT18 5DX		
Title Proposed Extensions and Replacement Windows Window Details Front Elevation		
Client	Mr & Mrs M Coates	
Drawn	Date	Scale
G Collins	Oct-23	As Shown
Drg. No GWC / 03	Rev.	