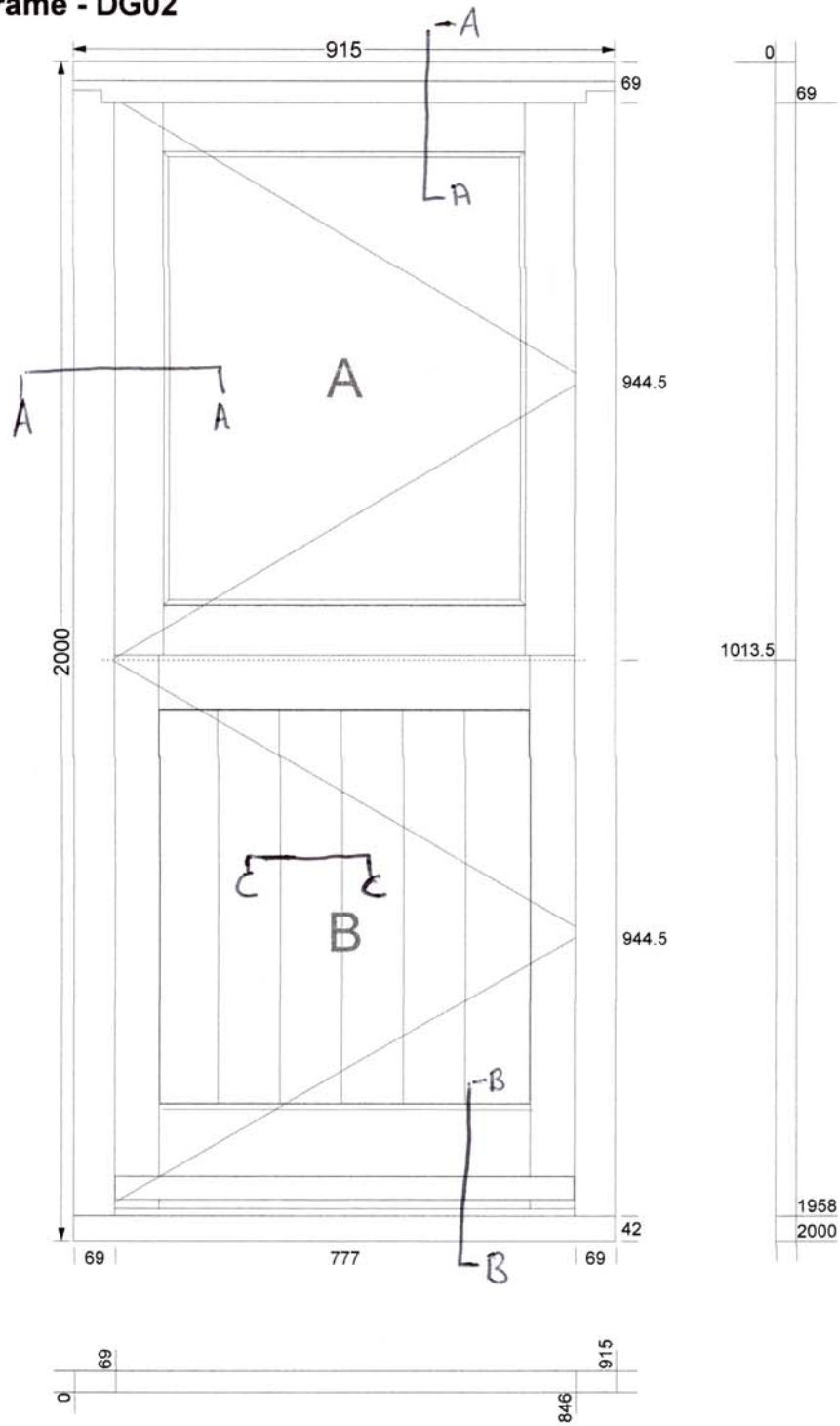


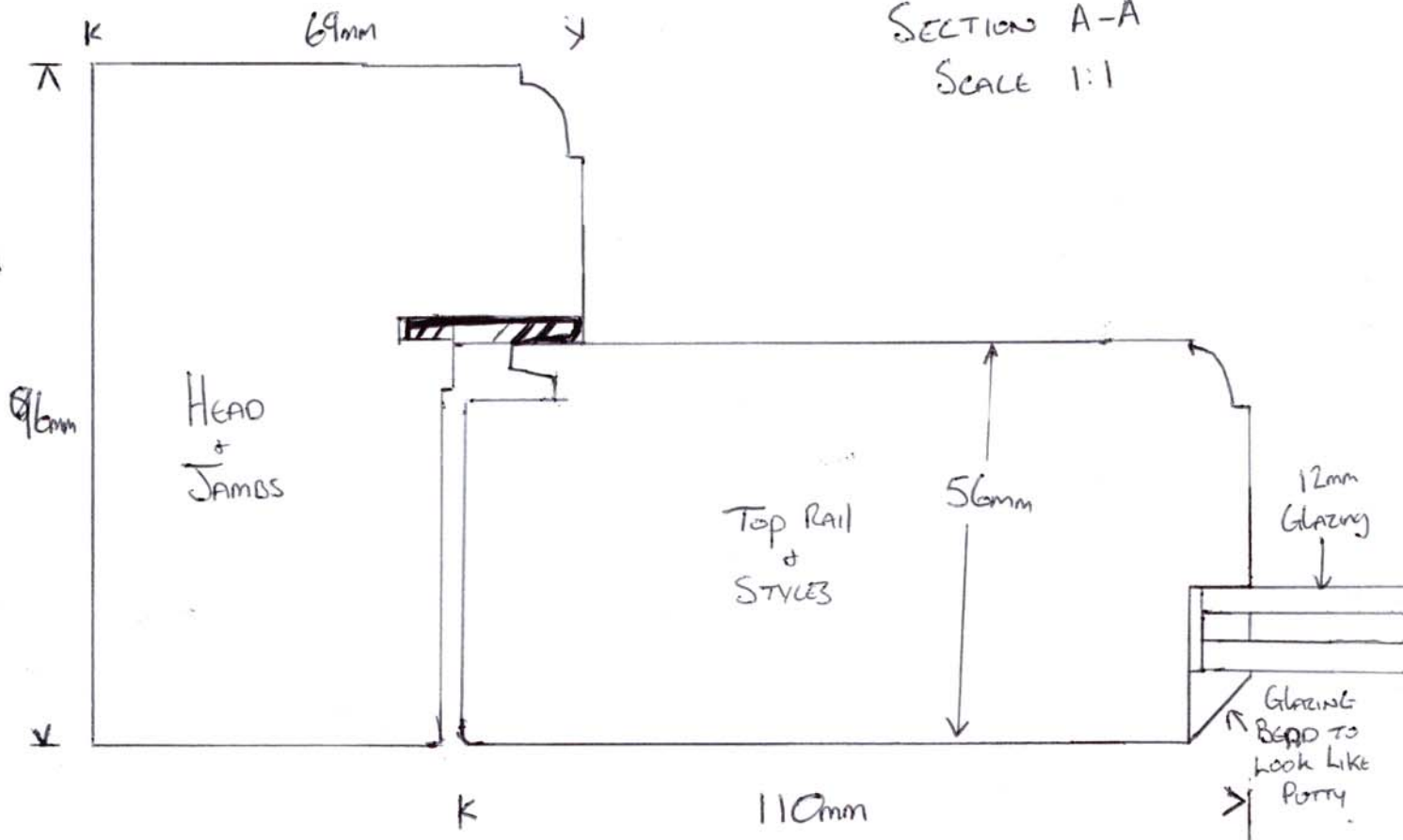
Client **Stott Thompson**

Job

1 X Door & Frame - DG02

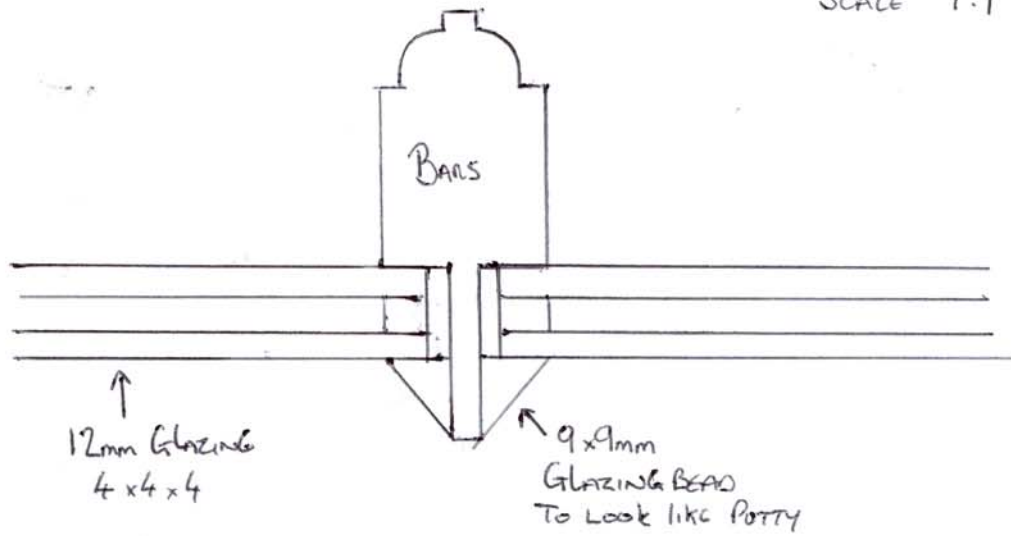


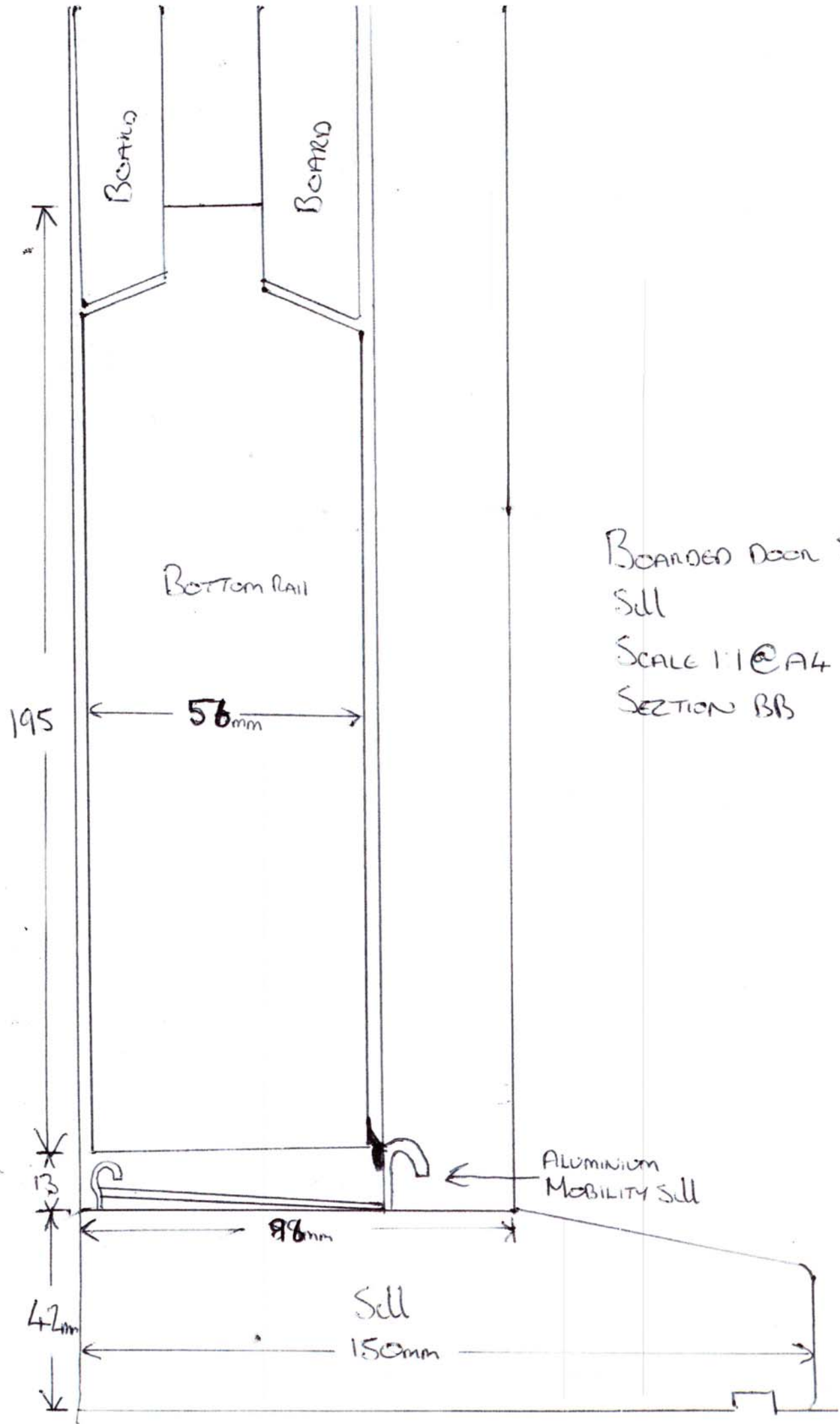
SECTION A-A
SCALE 1:1



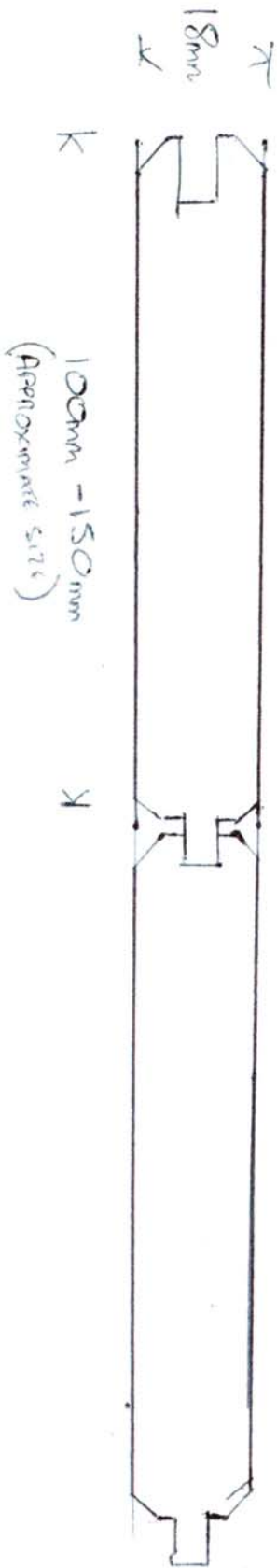
K 22mm X

SECTION B-B
SCALE 1:1





BOARDED DOOR SECTION
Sill
SCALE 1:1 @ A4
SECTION BB



Bands inside door

BORRERO DOOR
D1, D2, D4, D5, D6, D12
SCALE 1:1
SECTION C-C

SECTION D-D

SCALE 1:1

