

## **ConSole, ConSole+**

Flat-roof mounting system for PV-modules and -laminates

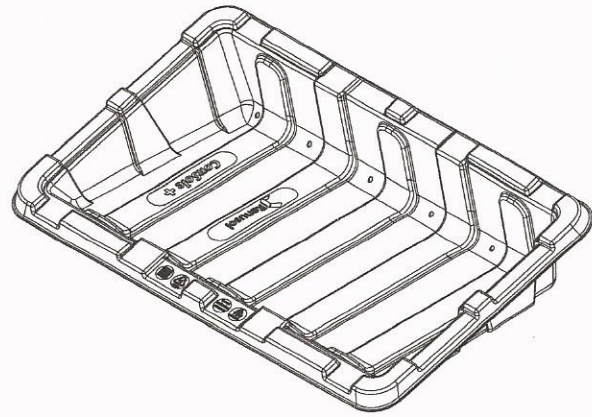


*From visions to solutions*



## System Datasheet

### CS+



#### General

System	Freestanding ballasted PV mounting system
Scope of delivery	CS+ tub, mounting profiles and fixing material
System warranty	10 years
Application area	Flat roofs, landfills, open spaces, green areas (excluding hydrogen sulphide exposure)
Dimensions	Width: 1.730mm, depth: 1.100 mm, height: 390mm
Roof slope	max. 5° without additional measures
Ambient temperature range	-30°C to +50°C

#### System properties

System orientation	East-West, South
Material	HDPE, aluminium and stainless steel
Module tilt	15°
System weight approx.	≈ 7,9 kg
Friction coefficient	$\mu = 0,5$ is to be determined and ensured upon installation surface.
Minimum edge distance	1,5 m
Maximum snow load on the roof	2,5 kN/m <sup>2</sup>

#### Certifications

TÜV	ID1111212485 according to 2PfG
Wind loads	Determined in wind tunnel tests by Ruscheweyh Consult GmbH
Fire resistance	MPA Dresden
UV resistance	KIMW Kunststoff Institut Lüdenscheid

#### Services

PV layout	Provided by Renusol
Ballast plan	Provided by Renusol

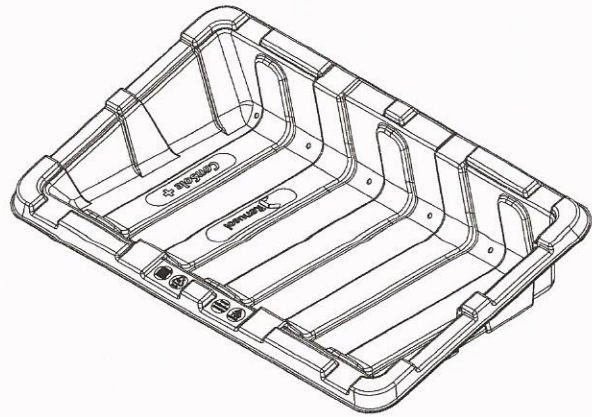
CS+ 03 | 2021

EN | Renusol System Datasheet

Misprints and errors, technical or other changes and changes in the availability of products are expressly reserved

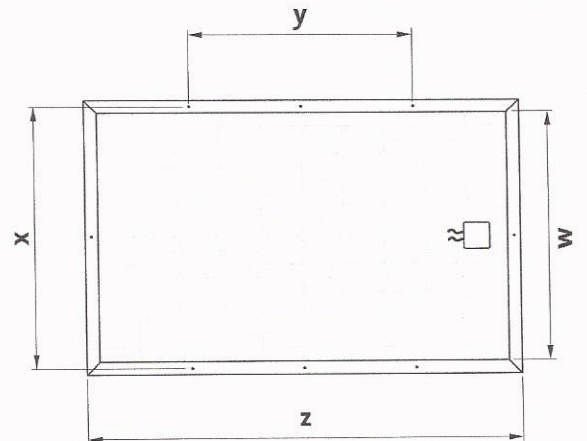
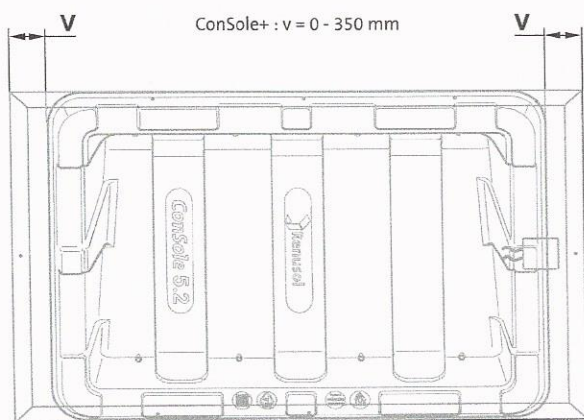
# System Datasheet

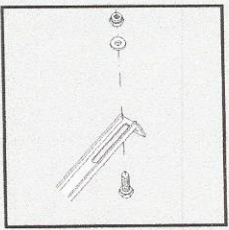
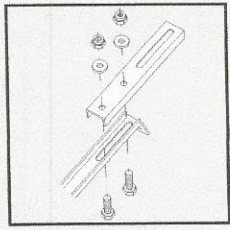
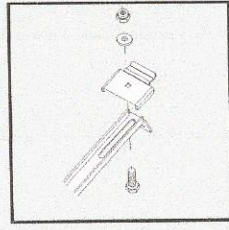
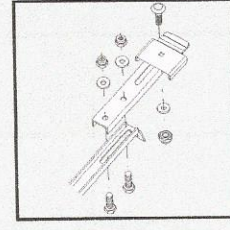
## CS+



### Modules

Type	Framed PV modules with mounting hole
Module length	1550 mm - 2400 mm
Module guidance	Horizontal/landscape format



				
<b>Article No.</b>	R520075-K	R520075-K + R460001	R520075-K + R420023	R520075-K + R460001 + R420023
<i>Modul min. w:</i>	-	-	933 mm	996 mm
<i>Modul max. w:</i>	-	-	995 mm	1075 mm
<i>Modul min. x:</i>	895 mm	1016 mm	-	-
<i>Modul max. x:</i>	1015 mm	1085 mm	-	-
<i>Modul min. y:</i>	690 mm	690 mm	-	-
<i>Modul max. y:</i>	1180 mm	1180 mm	-	-
<i>Modul min. z:</i>	1550 mm	1550 mm	1550 mm	1550 mm
<i>Modul max. z:</i>	2400 mm	2400 mm	2400 mm	2400 mm

CS+ 03 | 2021

EN | Renusol System Datasheet

Misprints and errors, technical or other changes and changes in the availability of products are expressly reserved