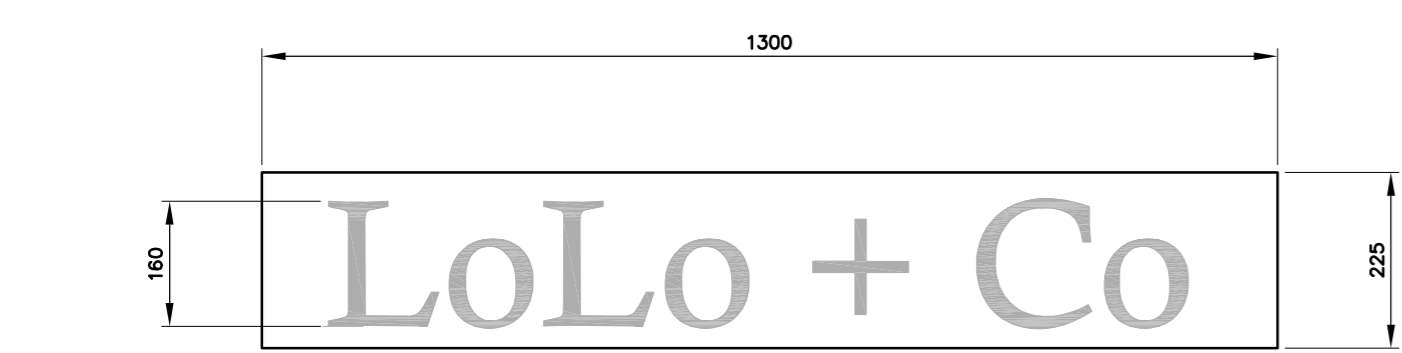


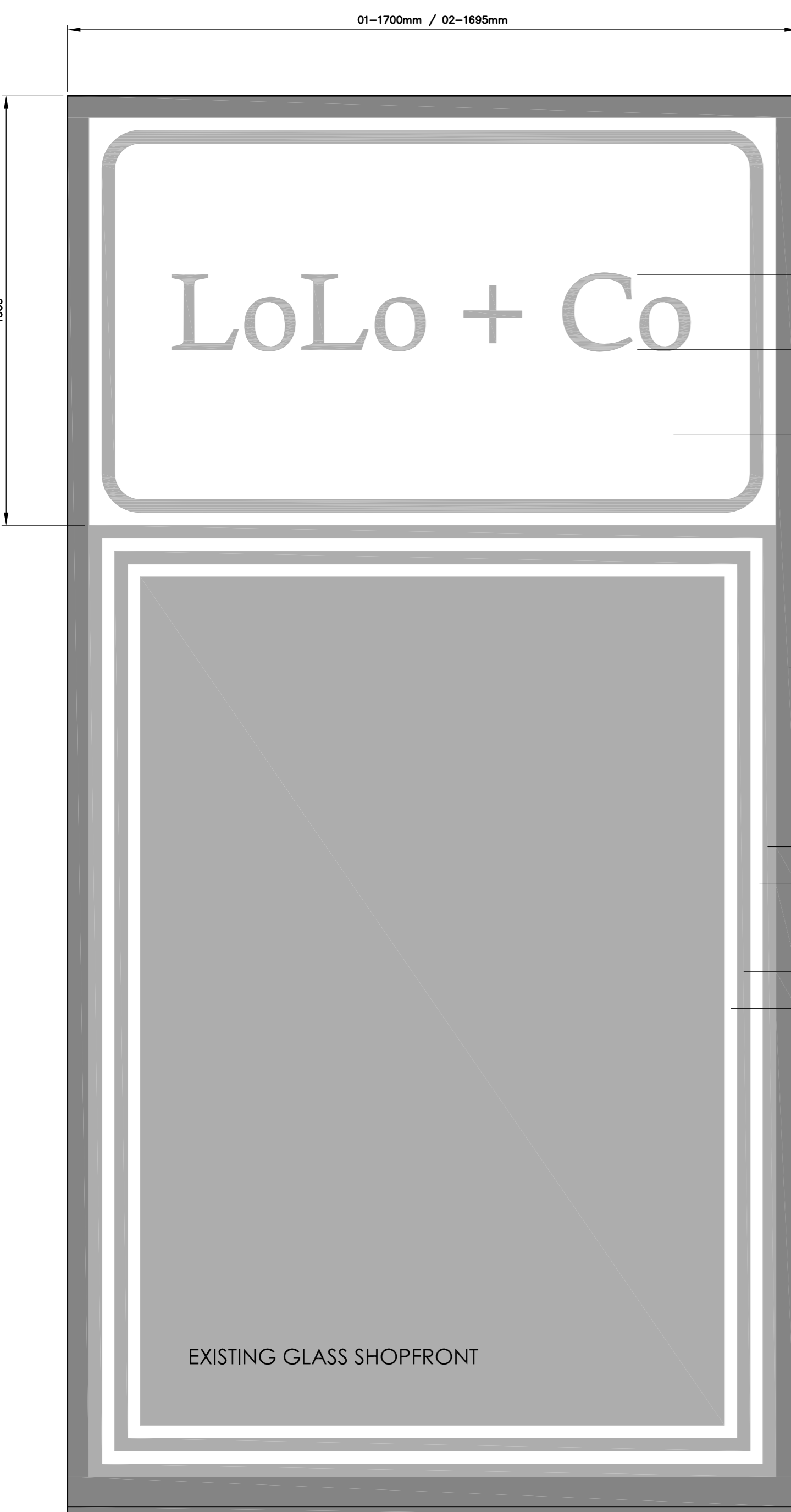
001 Existing South Elevation:  
UNION STREET ELEVATION. 1.50

002 Proposed South Elevation:  
UNION STREET ELEVATION. 1.50



03 Pediment Signage.  
Screw fixed to Granite. 1.10

160mm high 5mm deep Perspex silver 3870 flat cut acrylic letters.  
Pure White RAL 9010 composite panel backing screwed to granite.



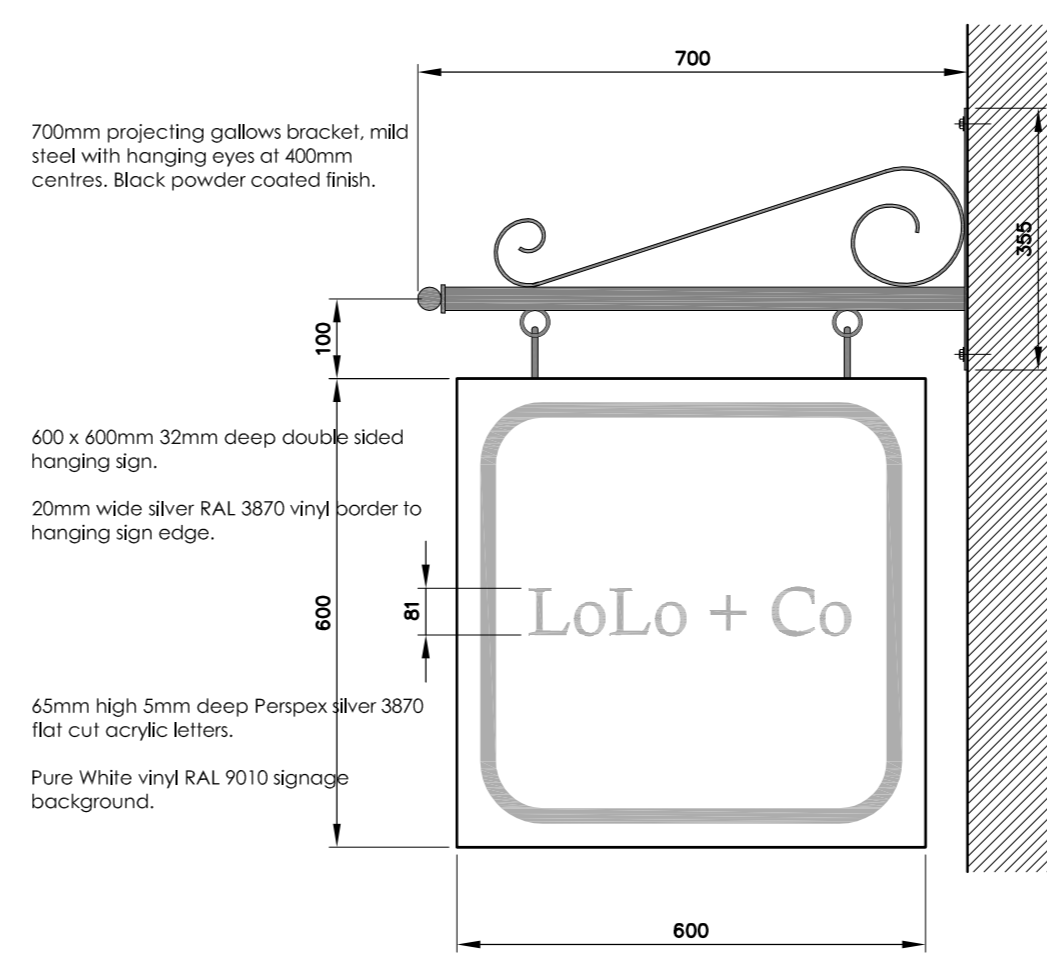
01 02 Window Treatment.  
Adhered to Glass. 1.10

**WINDOW LETTERING TREATMENT. APPLIED INTERNALLY.**

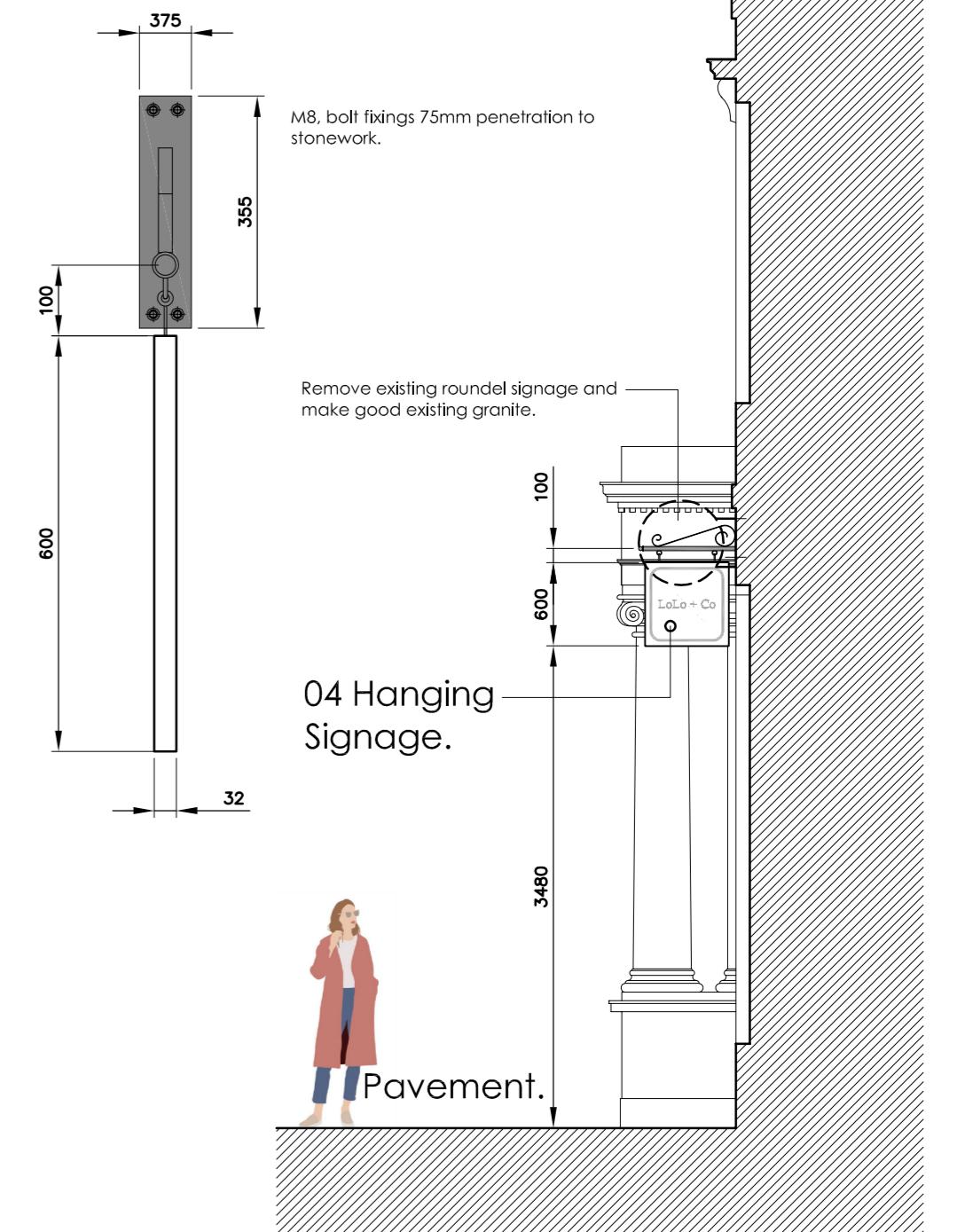
01 1000 x 1700mm wide.  
02 1000 x 1695mm wide.  
0.4mm thick self adhesive Pure White RAL 9010 vinyl\* complete with LoLo + Co window lettering, colour Silver RAL 3870, 160mm high, 6mm Open Callito font.

**WINDOW BORDER TREATMENT. APPLIED INTERNALLY.**

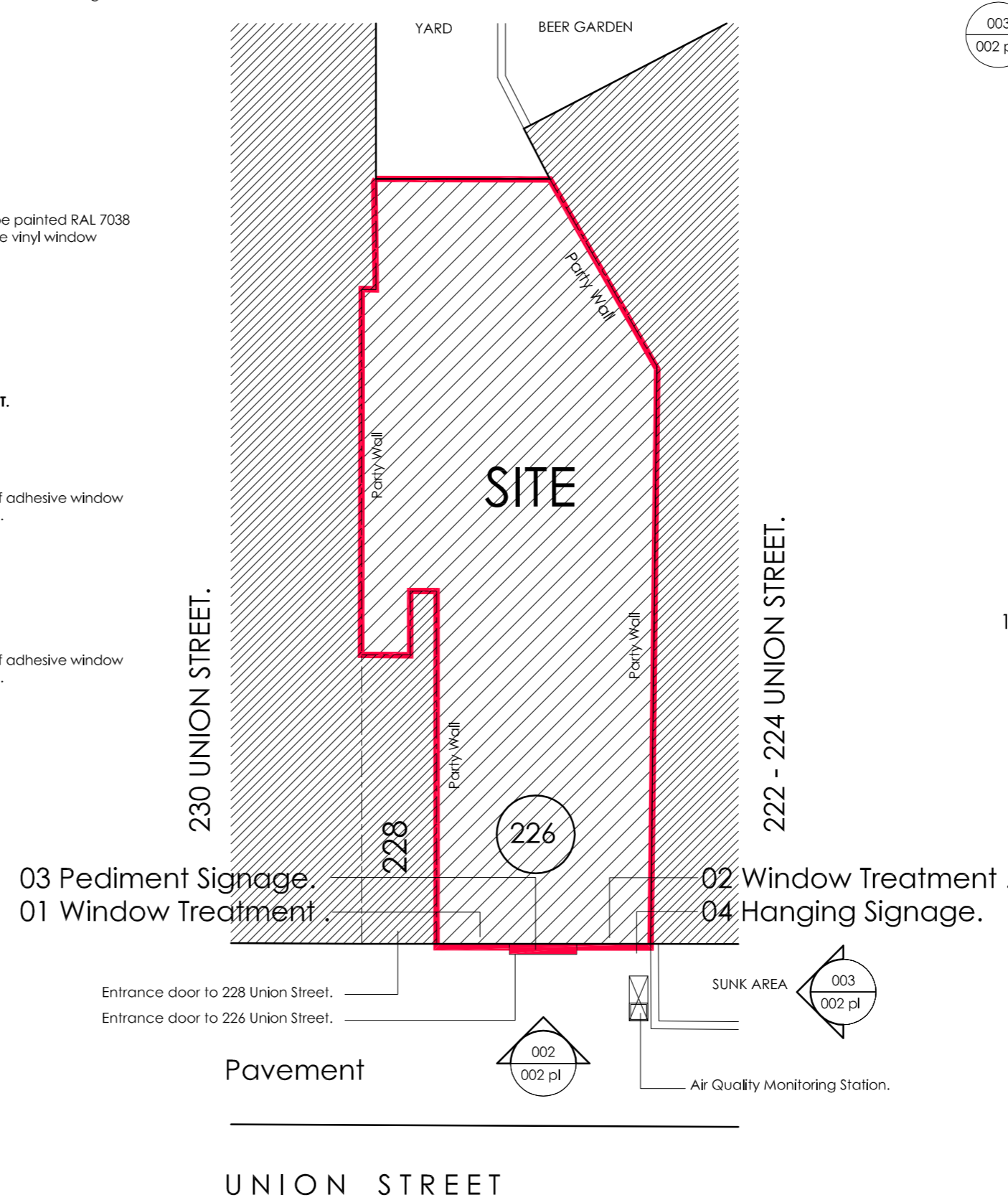
30mm clearance.  
30mm wide 0.4mm thick self adhesive window border, RAL 9010 Pure White.  
30mm clearance.  
30mm wide 0.4mm thick self adhesive window border, RAL 9010 Pure White.



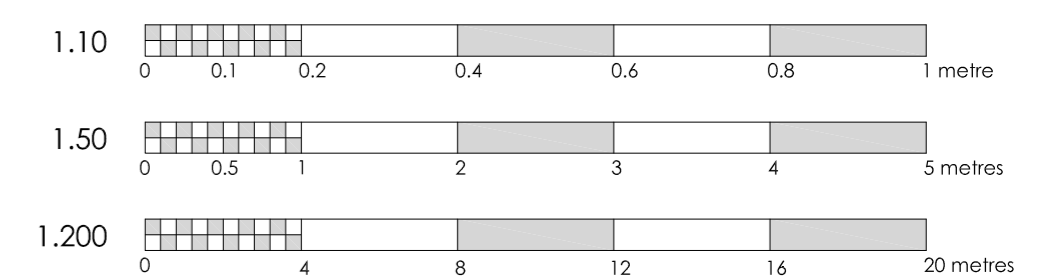
04 Hanging Signage.  
Hanging Sign Fixed to Granite. 1.10



003 Proposed Section:  
EAST ELEVATION. 1.50



004 Site Plan:  
1.200



Rev.	Description.	Date.
0	Signage location identified on site plan	oct 2023



OFFICE: 46 CARDEN PLACE, ABERDEEN, AB10 1UP.  
Tel: +44(0)1224636 066 Email: hi@bennett-design.co.uk  
Project: **PROPOSED SHOP SIGNAGE**  
226 UNION STREET,  
ABERDEEN, AB10 1TL.

Client:	W. Reid
Scale:	As shown
Date:	Aug 2023
Drawing:	PLANNING
Dwg. No.:	23035_002_(pl)
Revision:	α

copyright of bennett architectural design limited, 2023 ©.  
this drawing cannot be reproduced or used in any other way without the express written permission of the client. all design intent and content is copyright of the client.  
\* written data takes preference over scaled data \* larger scale details take preference over smaller scale details \* all dimensions must be checked on site \* all discrepancies in drawings to be referred to this office for decision \* all contractors must familiarise themselves with all of the details and notes on this drawing prior to commencing any work on site.