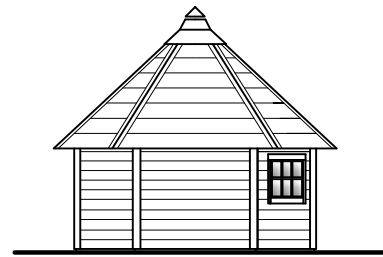




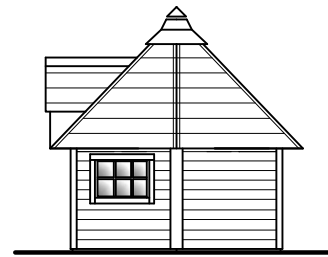
EAST ELEVATION



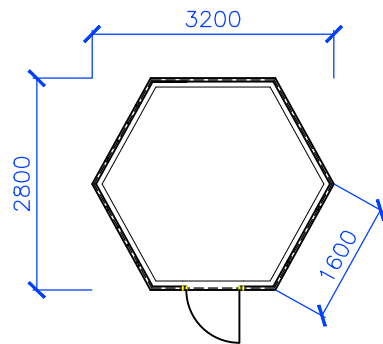
SOUTH ELEVATION



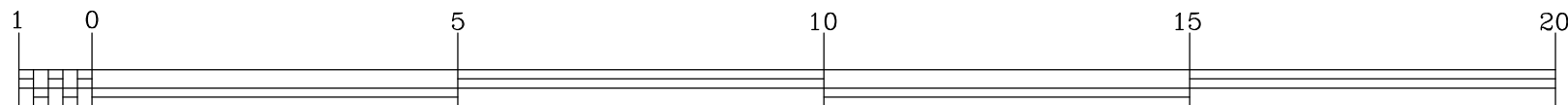
WEST ELEVATION



EAST ELEVATION



PLAN



SCALE IN METRES

SCALE = 1:100



IMPORTANT NOTE FOR BUILDER

This drawing should only be used on site if the words "APPROVED DRAWING" have been inserted in the box below. Otherwise discard this copy as it may not contain all information required by the local authorities and contact this office for an updated copy.

PLANNING APPLICATION SUBMISSION

GENERAL NOTES:  
All dimensions to be checked on site.  
If site conditions require any variation from these drawings the contractor must seek clearance from this office and the local building inspector before proceeding.  
Do not scale. Work to figured dimensions only any apparent discrepancies to be reported to this office for clarification.

NOTES:

BBQ hut to be 'Grillkota 6.5' 45mm log cabin style hut.  
Wall finish -painted timber.  
Roof finish -gray felt shingles.

© This drawing is the copyright of the firm of Ronald Hay Architectural Design and can only be used or reproduced with the appropriate authorisation of this office.

PROJECT: BBQ CABIN AT  
49 NORTH DEESIDE ROAD  
KINCARDINE O'NEIL  
ABERDEENSHIRE  
CLIENT: CRAIGHOUSE PROPERTIES  
DRAWING: PLANNING APPLICATION DRAWING

SCALE	DATE	DRAWN	DRWG. NO.	REV.
1:100	SEP.23	R. HAY	2305/03	

**RONALD HAY** M.C.I.A.T.  
**ARCHITECTURAL  
DESIGN**

AUCHINTARF  
BRIDGEVIEW ROAD  
ABOYNE  
ABERDEENSHIRE  
AB34 5HB

tel.013398 86170