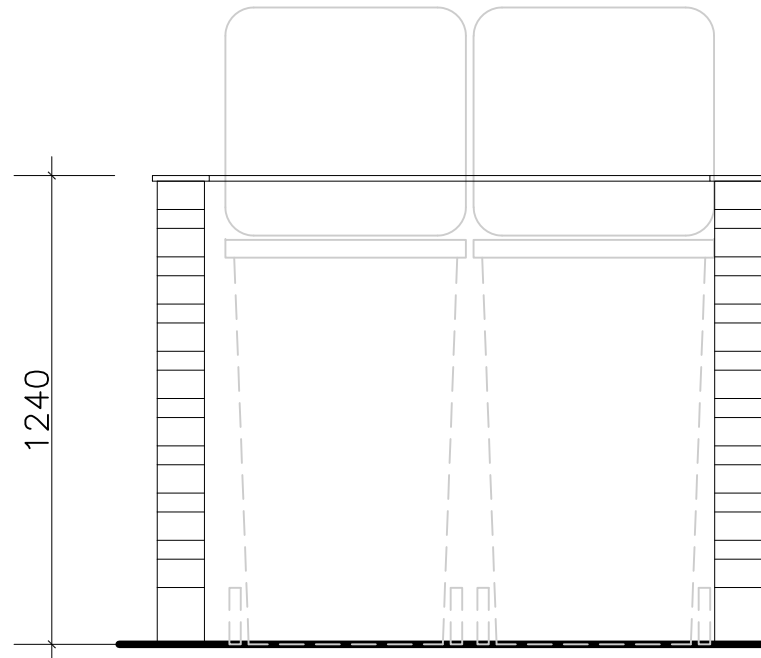




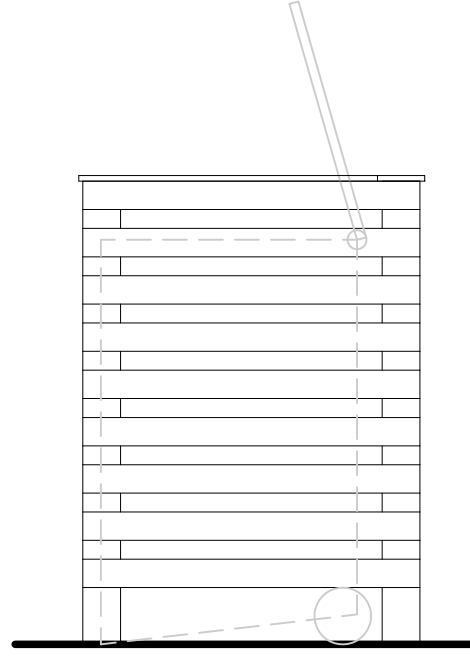
TYPICAL IMAGE OF STYLE FOR CYCLE & BIN STORE



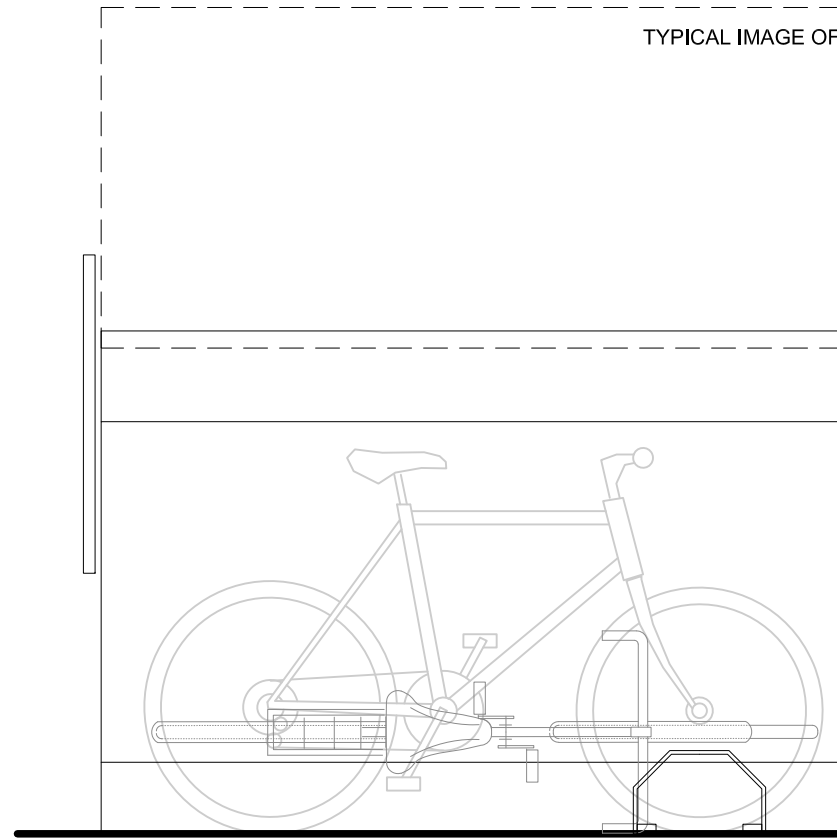
TYPICAL IMAGE OF STYLE FOR CYCLE STORE



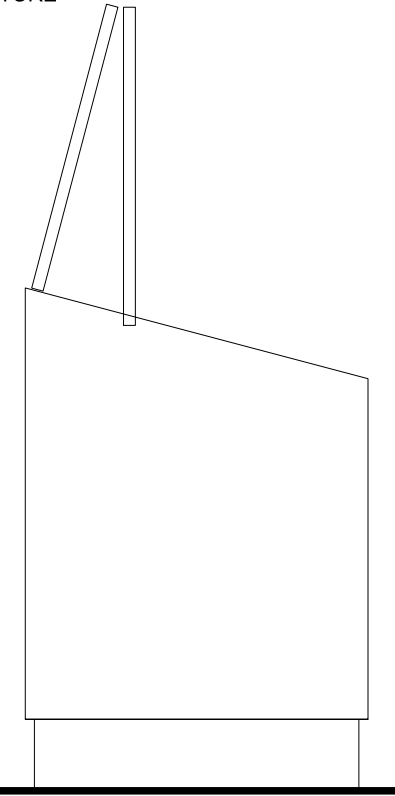
BINS STORE:
FRONT ELEVATION



BINS STORE:
SIDE ELEVATION



CYCLE STORE:
FRONT ELEVATION



CYCLE STORE:
SIDE ELEVATION

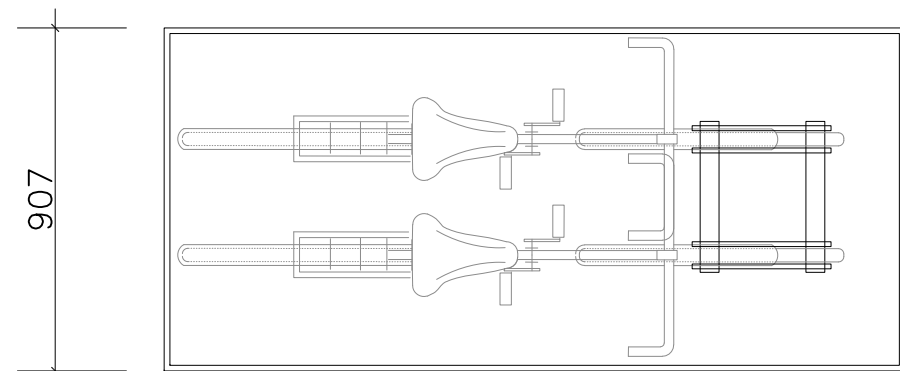


BINS STORE:
GROUND FLOOR PLAN

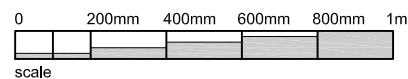
150mm concrete oversite slab and brushed finish laid on 25mm sand blinding on compacted 150mm hardcore sub base

side wall constructed with treated 100 x 50mm SC3 studs @400mm ctrs. and bolted down to sw plate on thickened concrete slab and with 150 x 20mm stained timber weather boarding

150mm wide perimeter gravel strip with pea shingle back fill and to level min. 50mm below slab level



CYCLE STORE:
GROUND FLOOR PLAN



THIS DRAWING IS THE COPYRIGHT OF NT:architect AND MAY NOT BE AMENDED, COPIED OR REPRODUCED WITHOUT WRITTEN PERMISSION. NO LIABILITY WILL BE ACCEPTED FOR AMENDMENTS MADE BY OTHER PERSONS.

DO NOT SCALE OFF THE DRAWINGS.

rev:

client:
MR. R. GASHI

22 LADENHAM ROAD
OXFORD
OXON. OX4 6AZ

project:
PROPOSED SIDE EXTENSION TO
HOUSE TO CREATE 1 x 1 BED FLAT
drawing:
PROPOSED:
BIN & CYCLE STORE DETAILS

NT: architect

t: 07855 978389
e: office@ntarchitect.uk

date:
SEP 23
scale:
1:20@A3
drawing no.:

drawn:
NT

rev:

23.63 - P2.03