

Schedule of Revisions:			
Rev:	Description:	Date:	Initial:
x	x	x	x

Timber species:

European Redwood from selected sawmills, timber sources from sustainable managed forests with a minimum of 70% FSC Material.

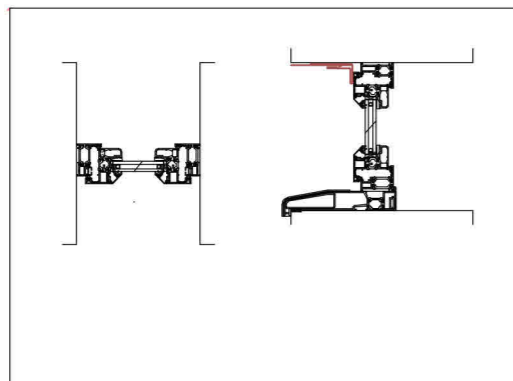
Class J10 for glazing beads and the like.

Class J30 or better for all other members.

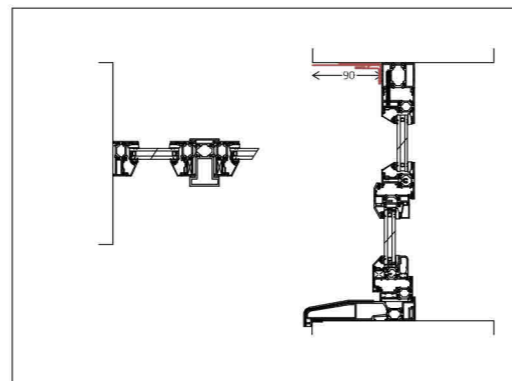
Glazing:

Factory glazed to meet current thermal regulations with 28mm double-glazed units, manufactured and kitemarked to BS EN1279 and factory fixed in accordance with BS6262.

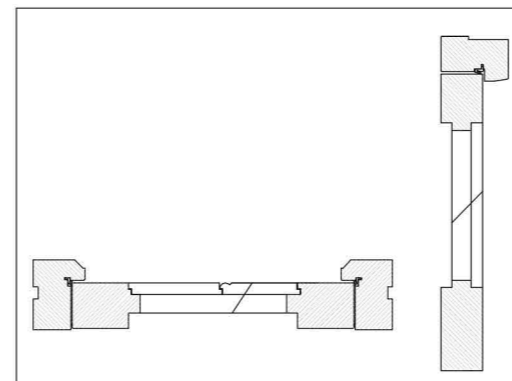
Aluminium windows&doors



Gable glazing



Timber shutter



Project:  
Fallowfield, Whempstead SG12 0PE

Drawing:  
Windows and Doors



Scale:		Scale:	
As indicated @ A3		1:10	
Drawn by:	Checked By:	Revision:	
X	X	X	
Drawing No: 190 - 06			

THIS DRAWING IS A COPYRIGHT  
All dimensions to be checked on site or in the workshop before work commences.  
Only figured dimensions to be worked to. Any discrepancies to be reported to CANNON Architectural Design Ltd.