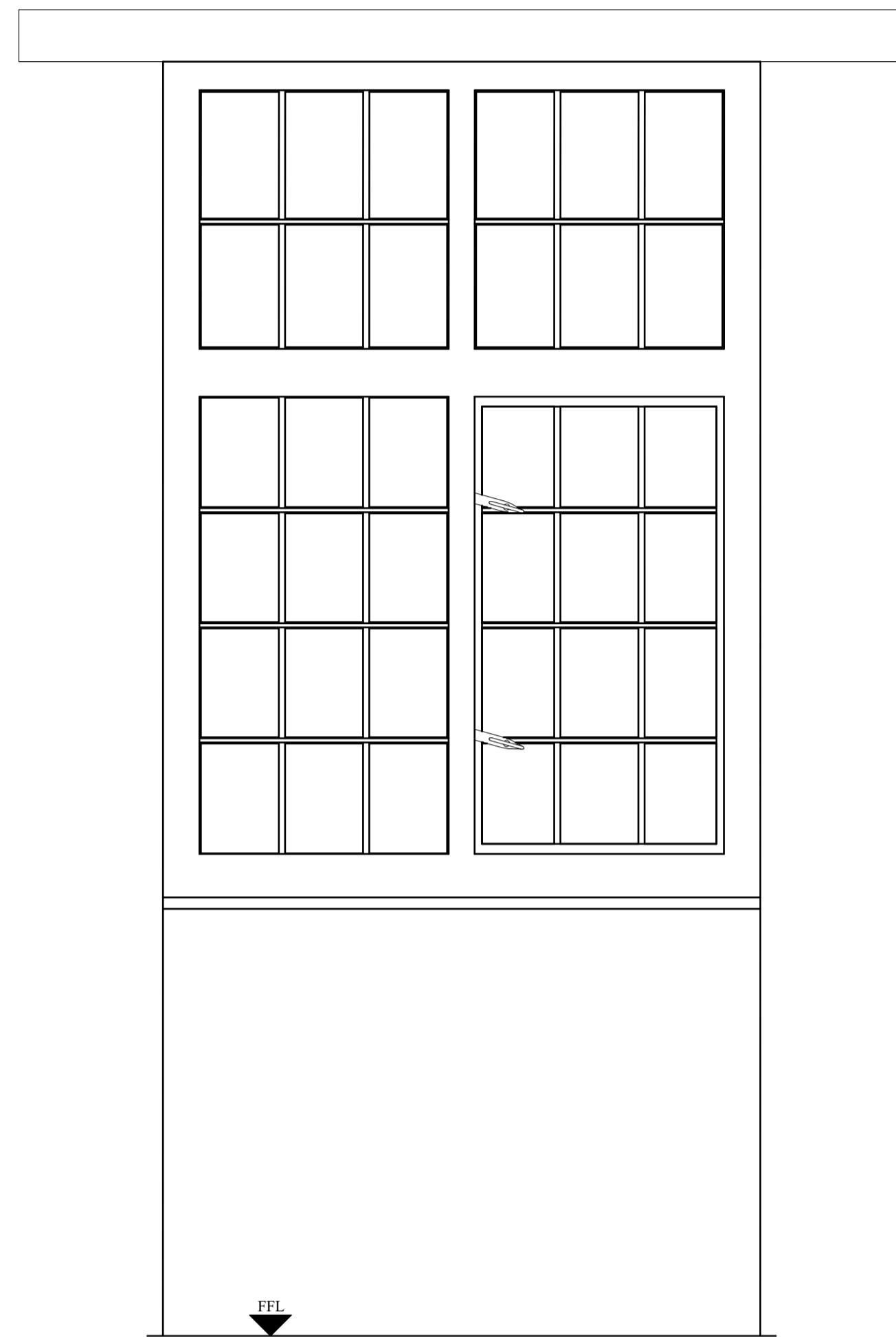
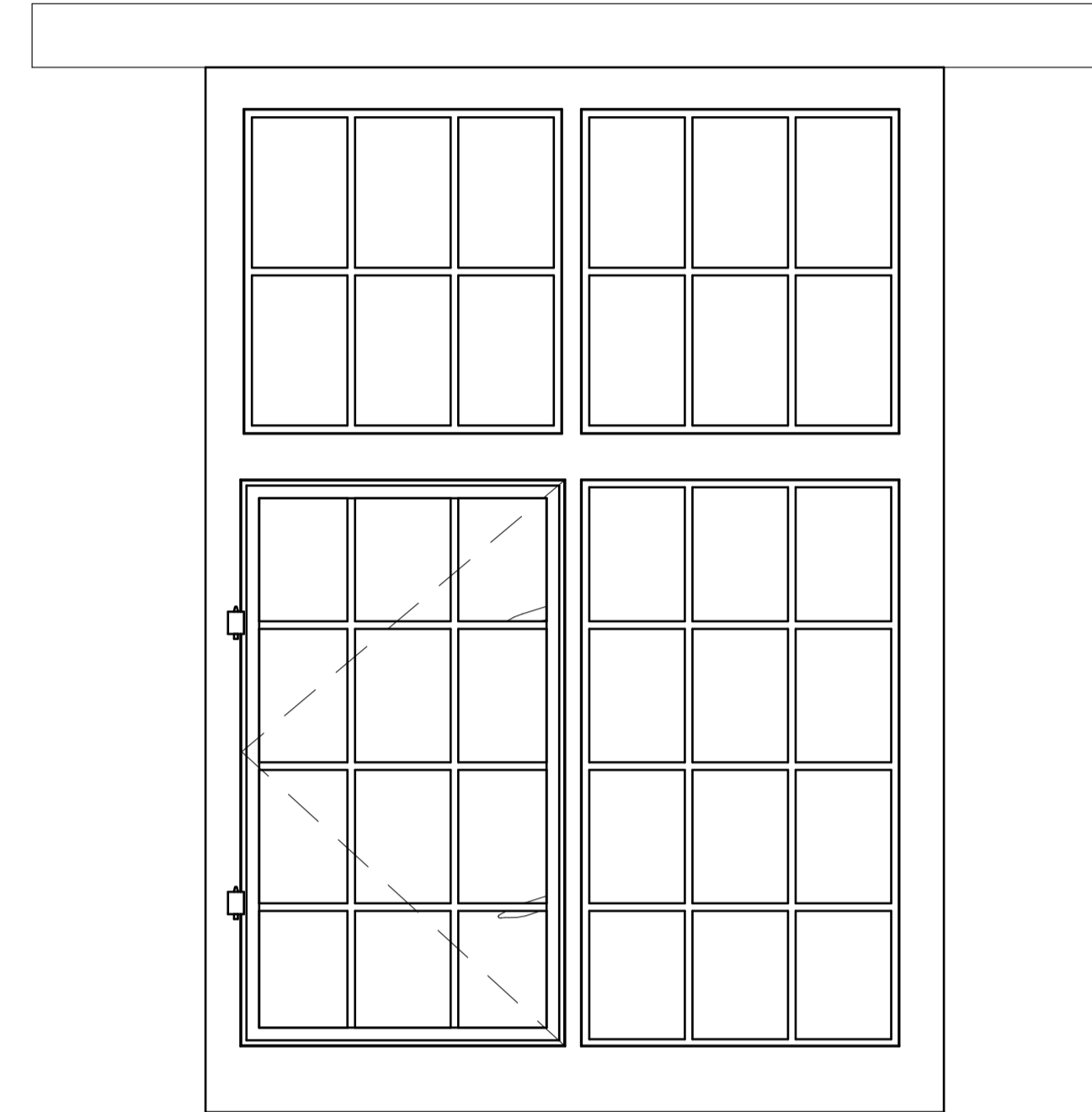




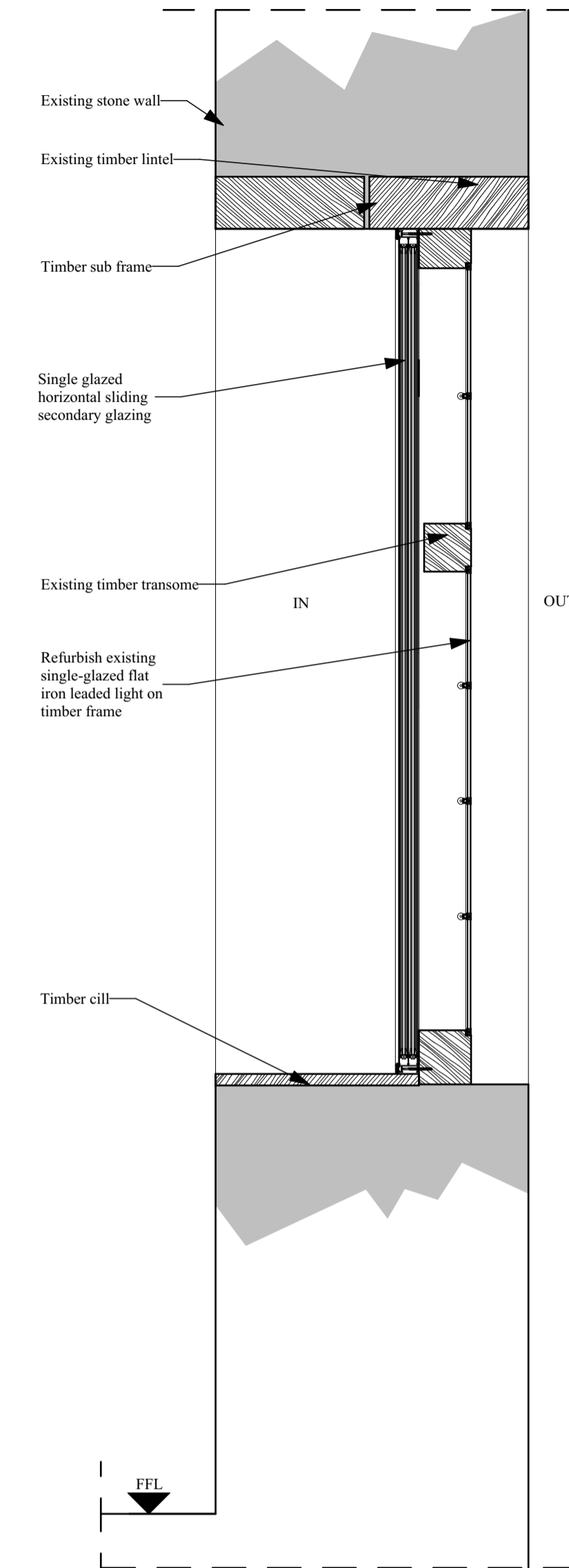
EXISTING EXTERNAL ELEVATION



EXISTING INTERNAL ELEVATION 1:10



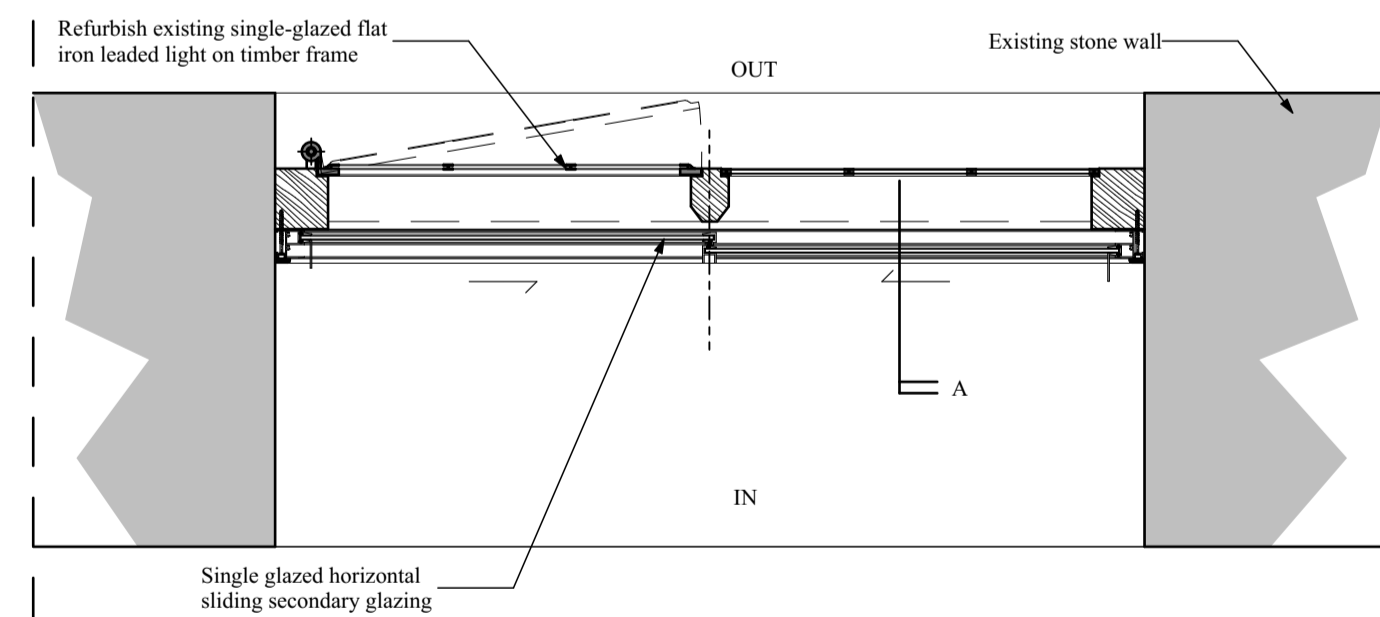
EXISTING EXTERNAL ELEVATION 1:10



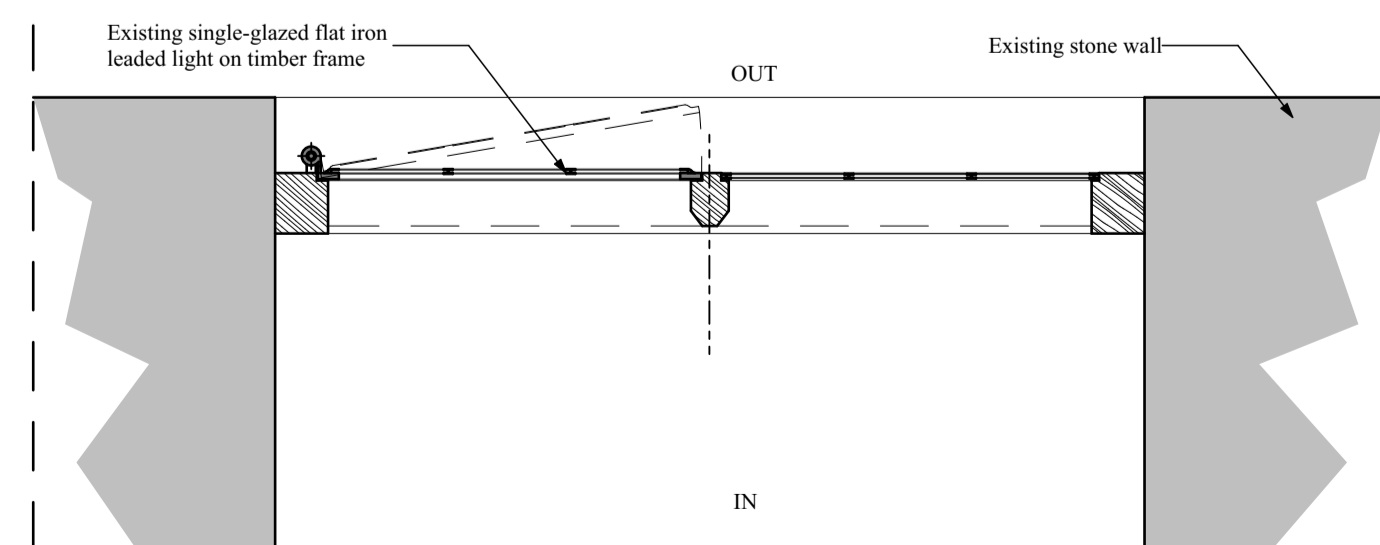
SECTION AS PROPOSED 1:10



EXISTING INTERNAL ELEVATION



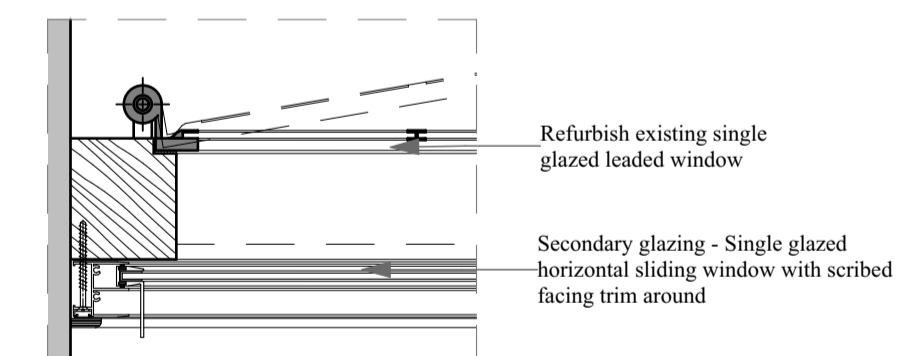
PLAN AS PROPOSED 1:10
WG14, WG15, WG16, WG17 & WG18



PLAN AS EXISTING 1:10
WG14, WG15, WG16, WG17 & WG18



PROPOSED SECONDARY SINGLE SLIDING GLAZING



PROPOSED SECONDARY SINGLE GLAZING
PLAN 1:5

REV	DATE	NOTES
B	18.09.23	Refurbish windows WG14-18 without replacing.
A	14.09.23	Planning status indicated. External window updated to match existing. As existing window plan added.

PLANNING

CRAIG HAMILTON ARCHITECTS LTD
COED MAWR FARM, HUNDRED HOUSE, RADNORSHIRE LD1 5RP · T:01982 553312
OLD STABLE BLOCK, INCUBIVE SPACE, HURSLEY PARK ROAD, HURSLEY SO21 2JN

PROJECT THE OLD RECTORY, WITHINGTON
DRAWING TITLE: SLIDING SECONDARY GLAZING DETAILS
DRAWING N^o: 0503/PL31 REV: B
DATE: JUNE 2023 SCALE: 1:10, 1:5@ A1
DRAWN BY: MS