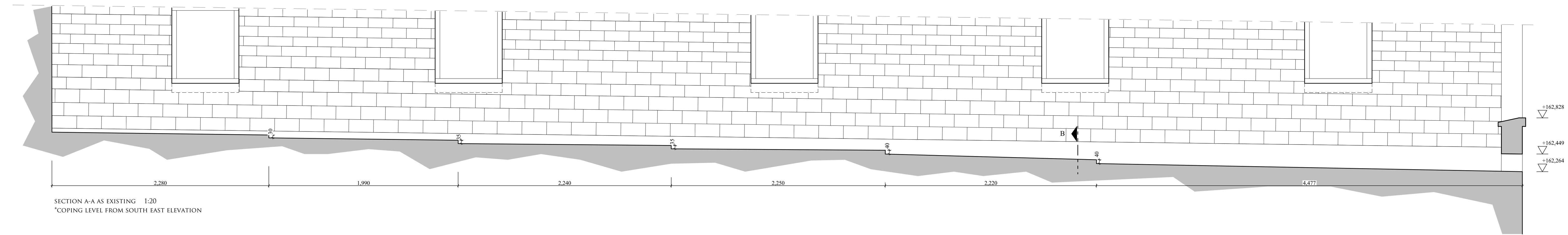
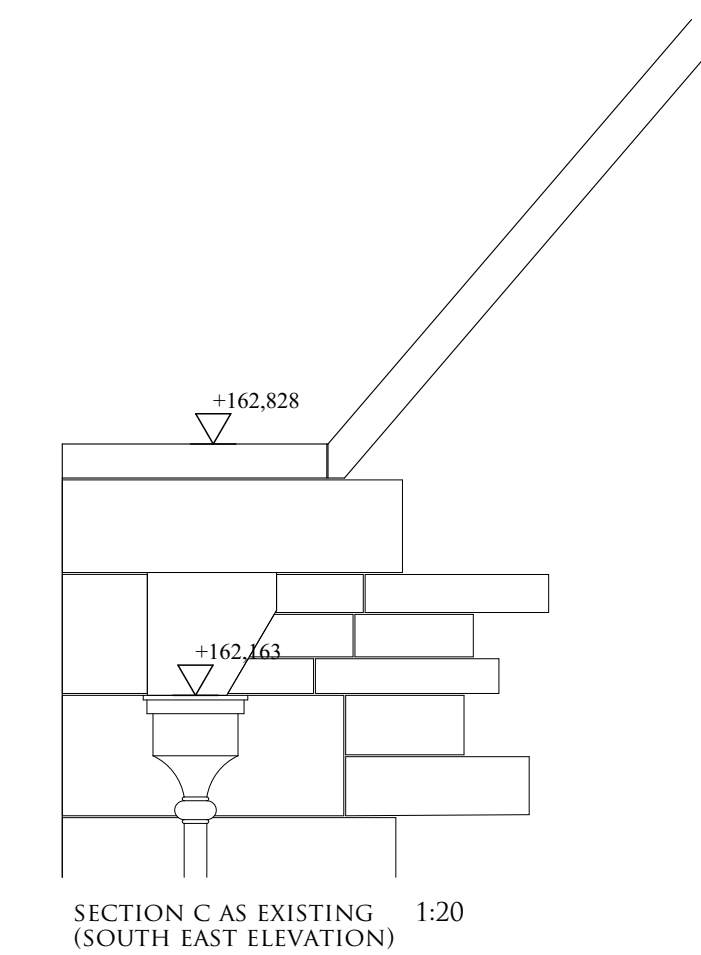


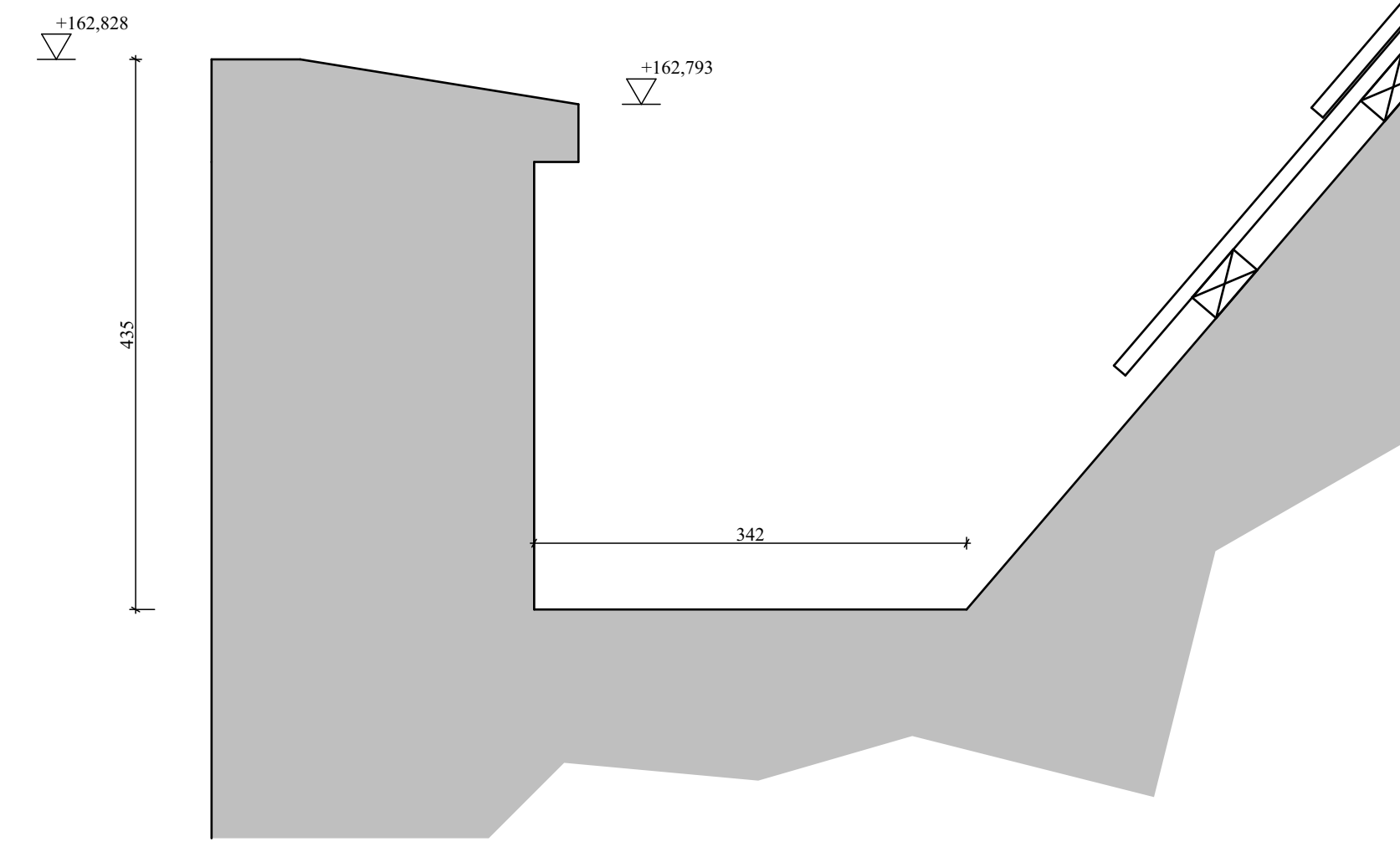
PLAN - AS EXISTING 1:20



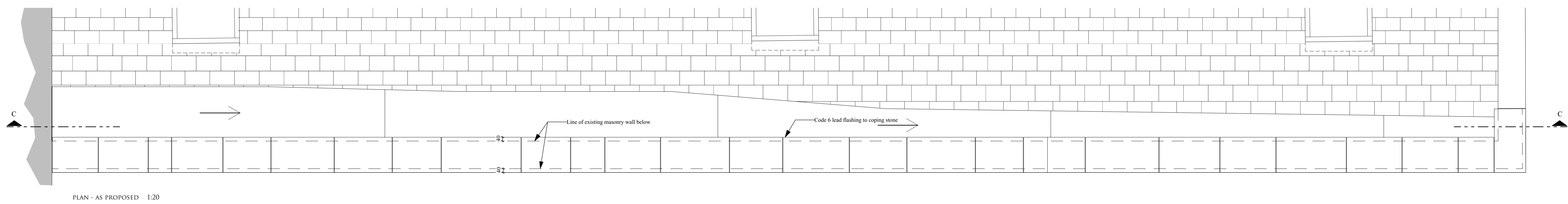
SECTION A-A AS EXISTING 1:20  
COPING LEVEL FROM SOUTH EAST ELEVATION



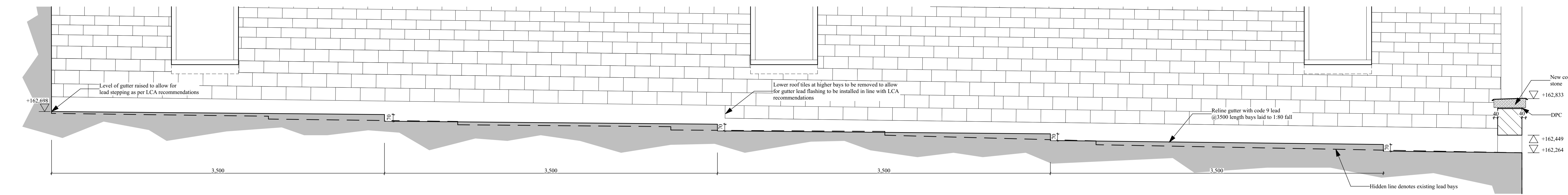
SECTION C-C AS EXISTING (SOUTH EAST ELEVATION) 1:20



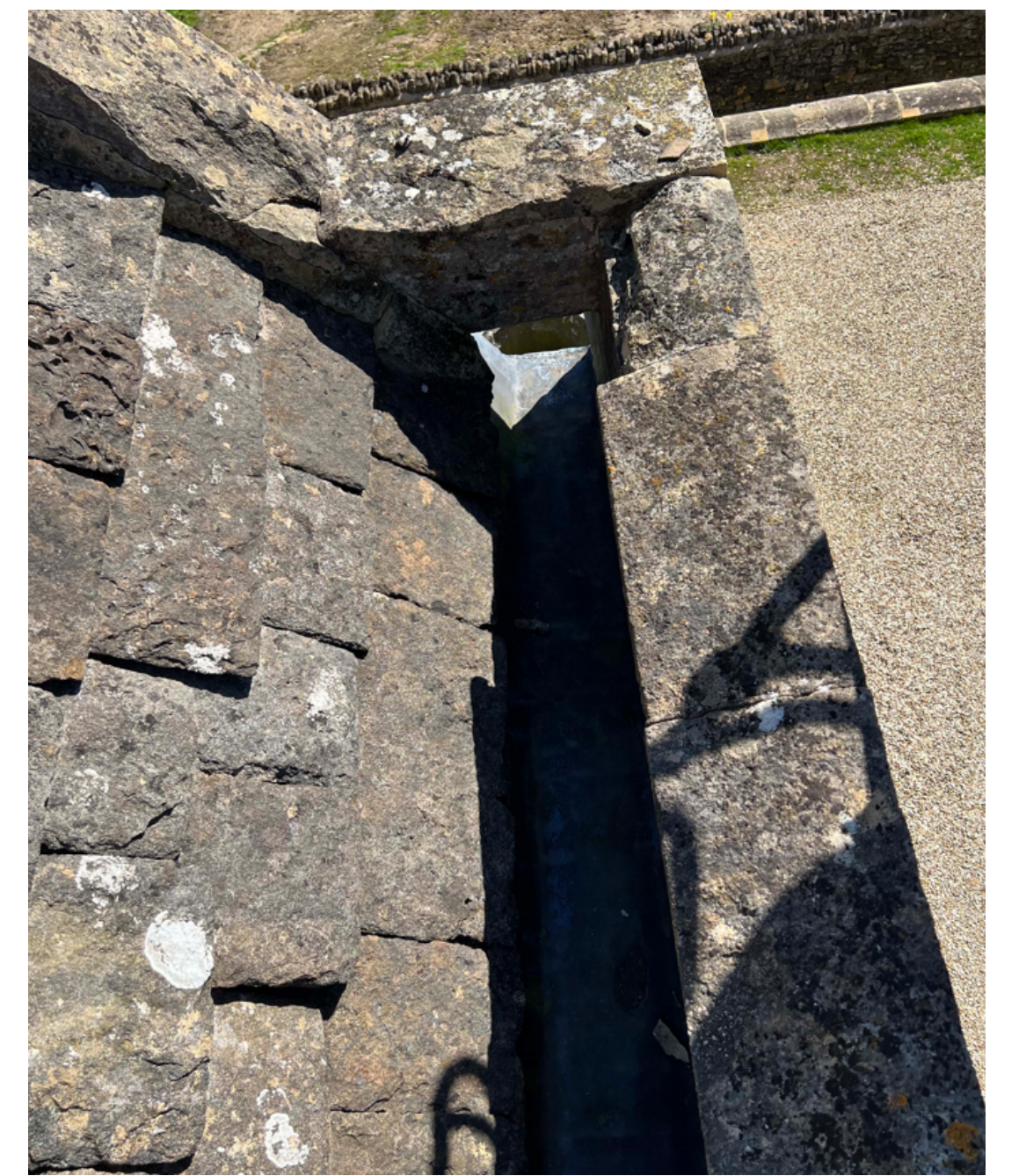
SECTION B-B AS EXISTING 1:5



PLAN - AS PROPOSED 1:20



SECTION C-C AS PROPOSED 1:20



EXISTING CONDITION OF COPING STONE & GUTTER

**GENERAL NOTE**

1. Refer to Drawing No. 0503/PL27 South East Gutter for details of proposed gutter & coping.

REV	DATE	NOTES
A	14.09.23	Planning status indicated. Sheet sized updated to A0. As proposed details added. Existing section shown at 1:5. General note added.

**PLANNING**

**CRAIG HAMILTON ARCHITECTS LTD**  
 COED MAWR FARM, HUNDRED HOUSE, RADNORSHIRE LD1 5RP · T:01982 553312  
 OLD STABLE BLOCK, INCUBIVE SPACE, HURLEY PARK ROAD, HURLEY SO21 2JN

PROJECT: THE OLD RECTORY, WITHINGTON  
 DRAWING TITLE: SOUTH EAST GUTTER  
 DRAWING NO: 0503/PL28 REV: A  
 DATE: JUNE 2023 SCALE: 1:20, 1:50, 1:5@ A0  
 DRAWN BY: MS

