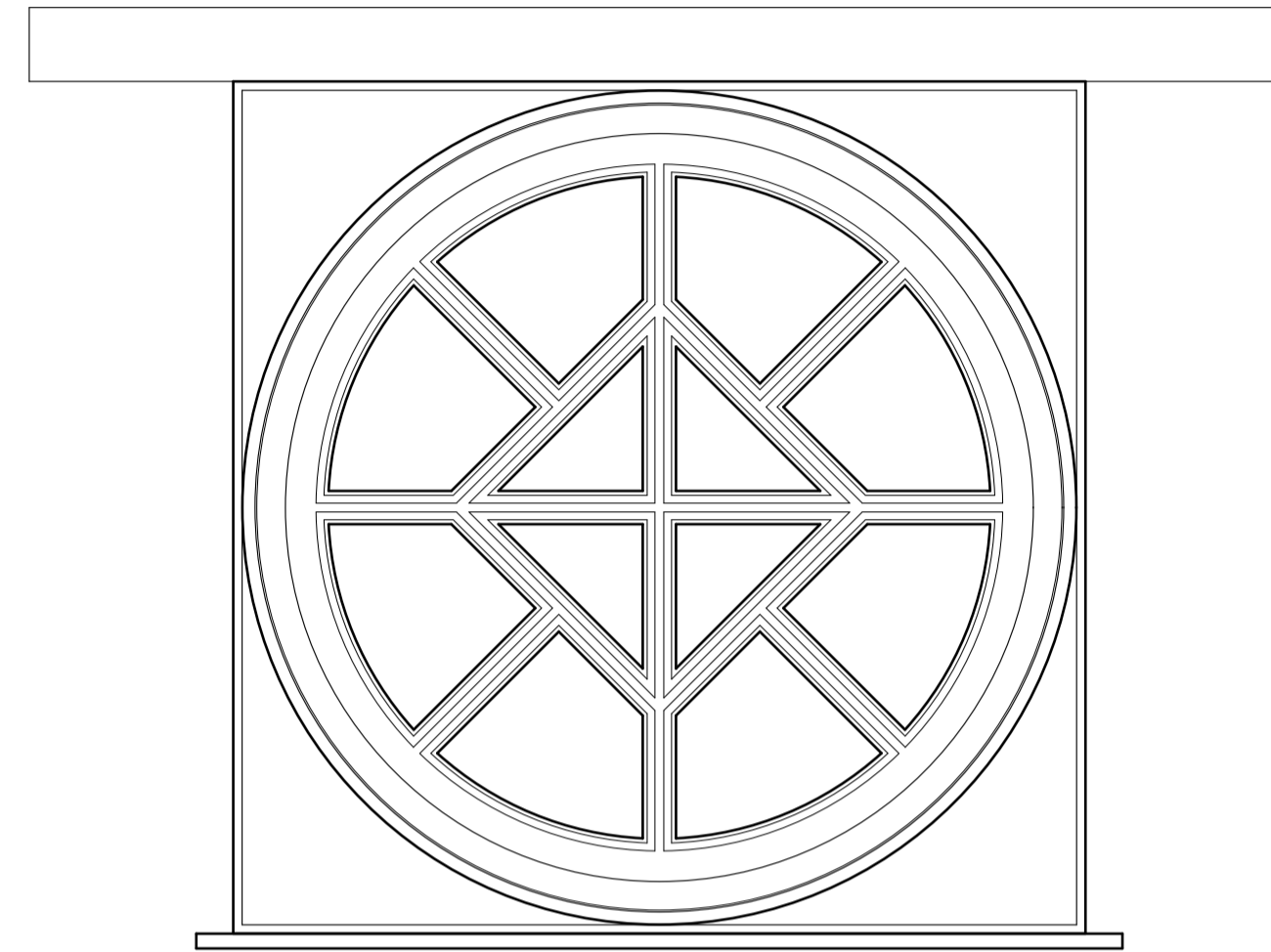
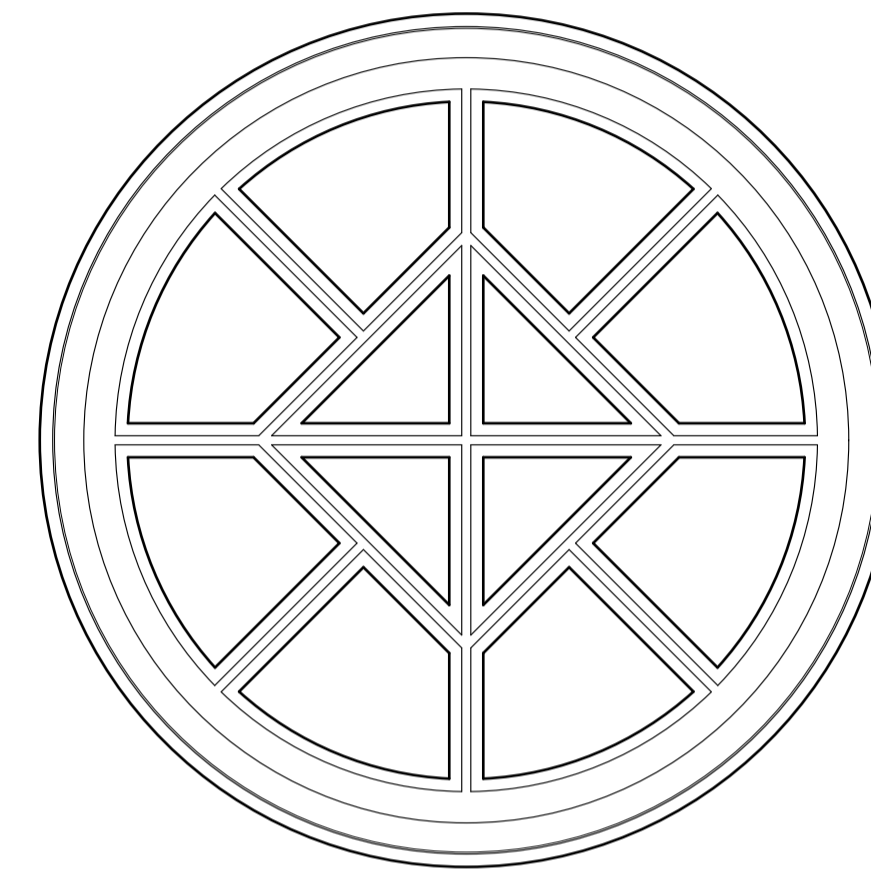




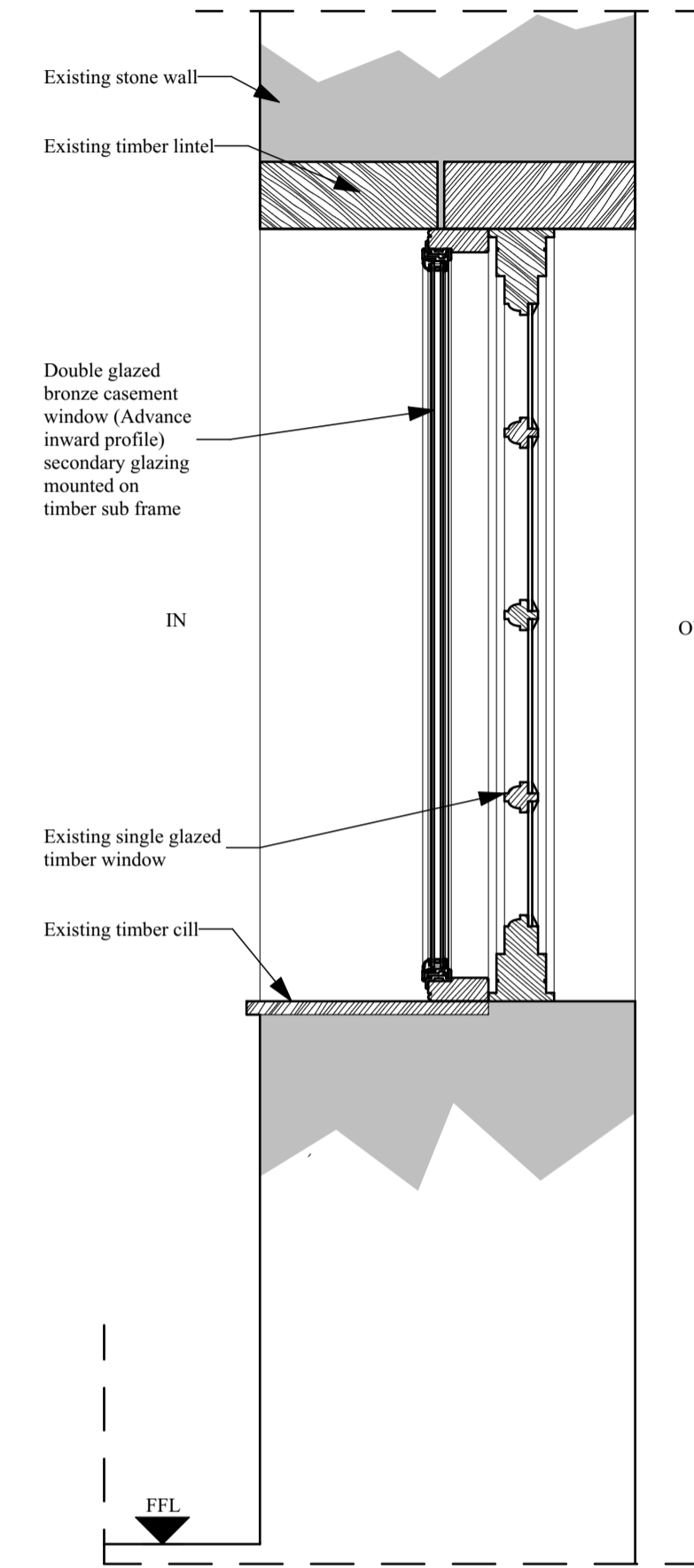
EXISTING EXTERNAL ELEVATION



FFL
EXISTING INTERNAL ELEVATION 1:10



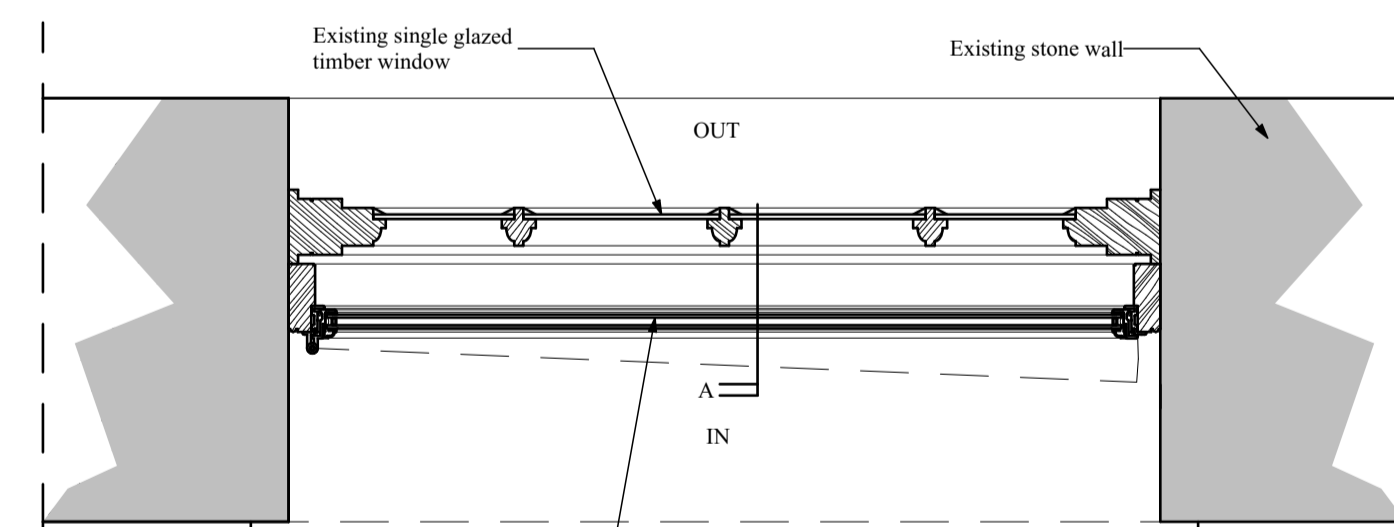
EXISTING EXTERNAL ELEVATION 1:10



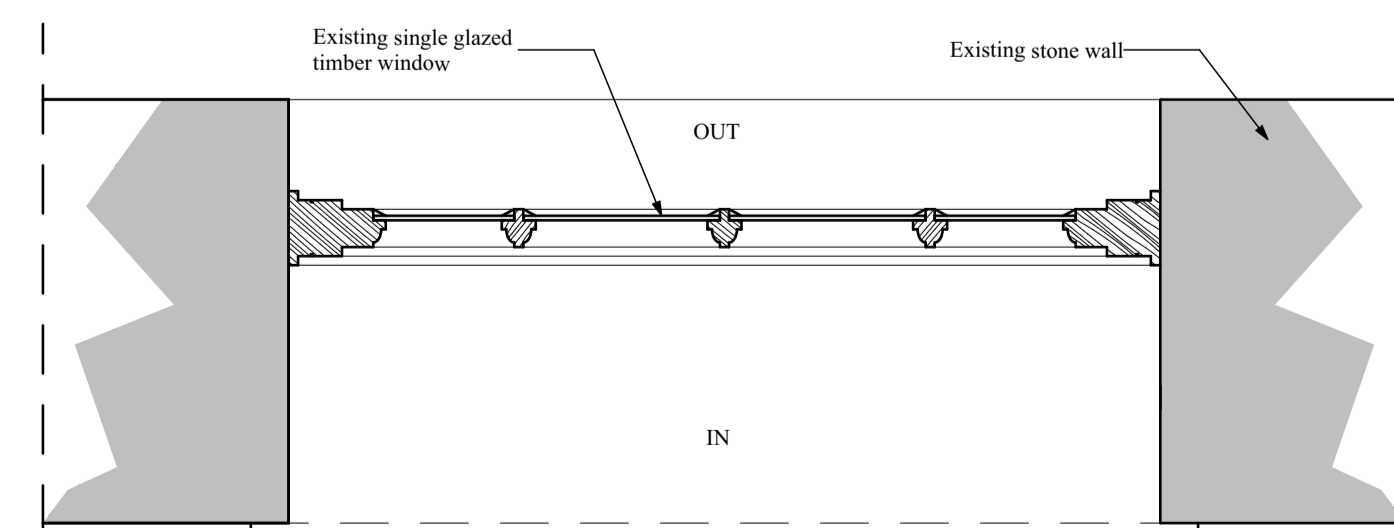
SECTION AS PROPOSED 1:10



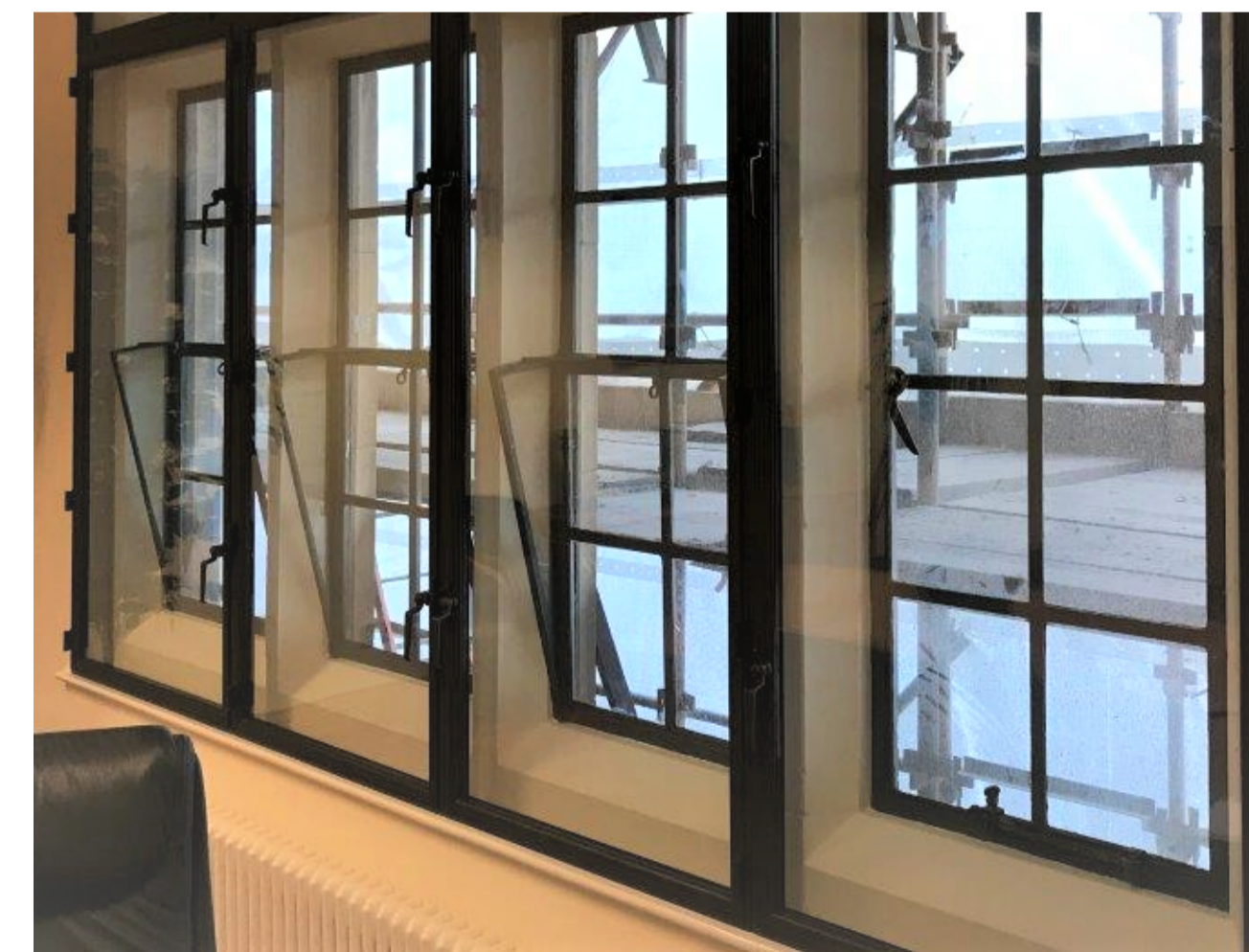
EXISTING INTERNAL ELEVATION



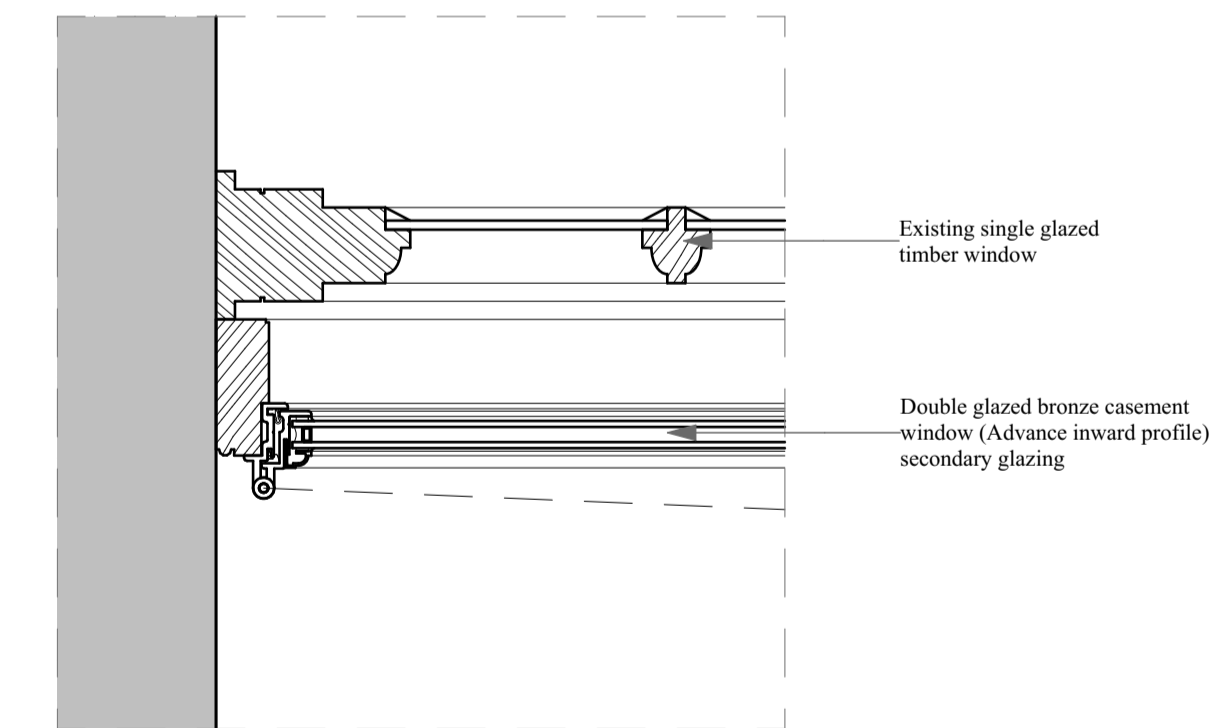
PLAN AS PROPOSED 1:10
WF25



PLAN AS EXISTING 1:10
WF25



PROPOSED SECONDARY DOUBLE GLAZING



PROPOSED SECONDARY DOUBLE GLAZING
PLAN 1:5

A	14.09.23	Planning status indicated. As existing window plan added.
REV	DATE	NOTES

PLANNING

CRAIG HAMILTON ARCHITECTS LTD
COED MAWR FARM, HUNDRED HOUSE, RADNORSHIRE LD1 5RP · T: 01982 553312
OLD STABLE BLOCK, INCUBIVE SPACE, HURSLEY PARK ROAD, HURSLEY SO21 2JN

PROJECT THE OLD RECTORY, WITHINGTON
DRAWING TITLE: STUDIO NORTH WINDOW DETAILS
DRAWING N^o: 0503/P123 REV: A
DATE: JUNE 2023 SCALE: 1:10, 1:5@ A1
DRAWN BY: MS