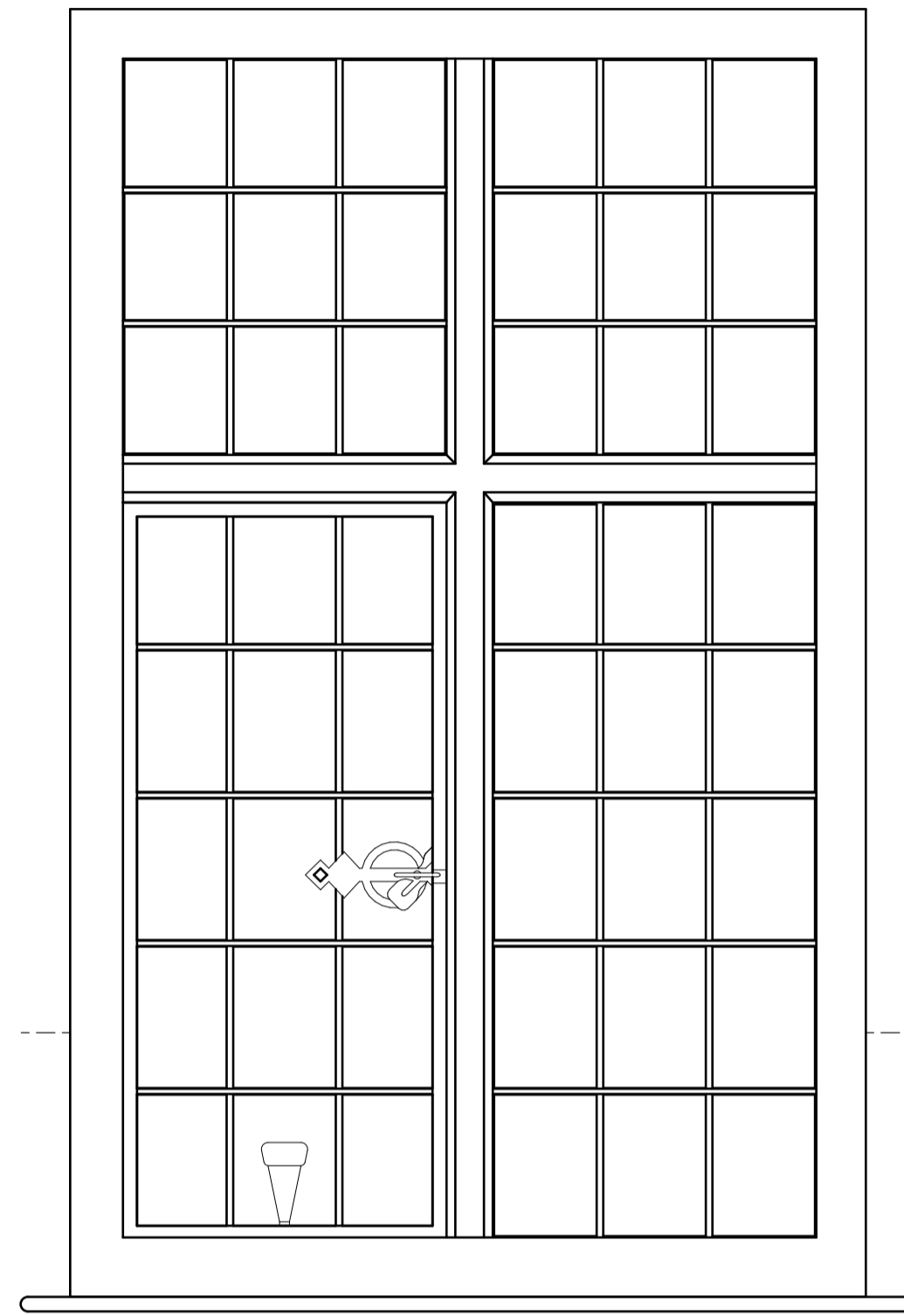
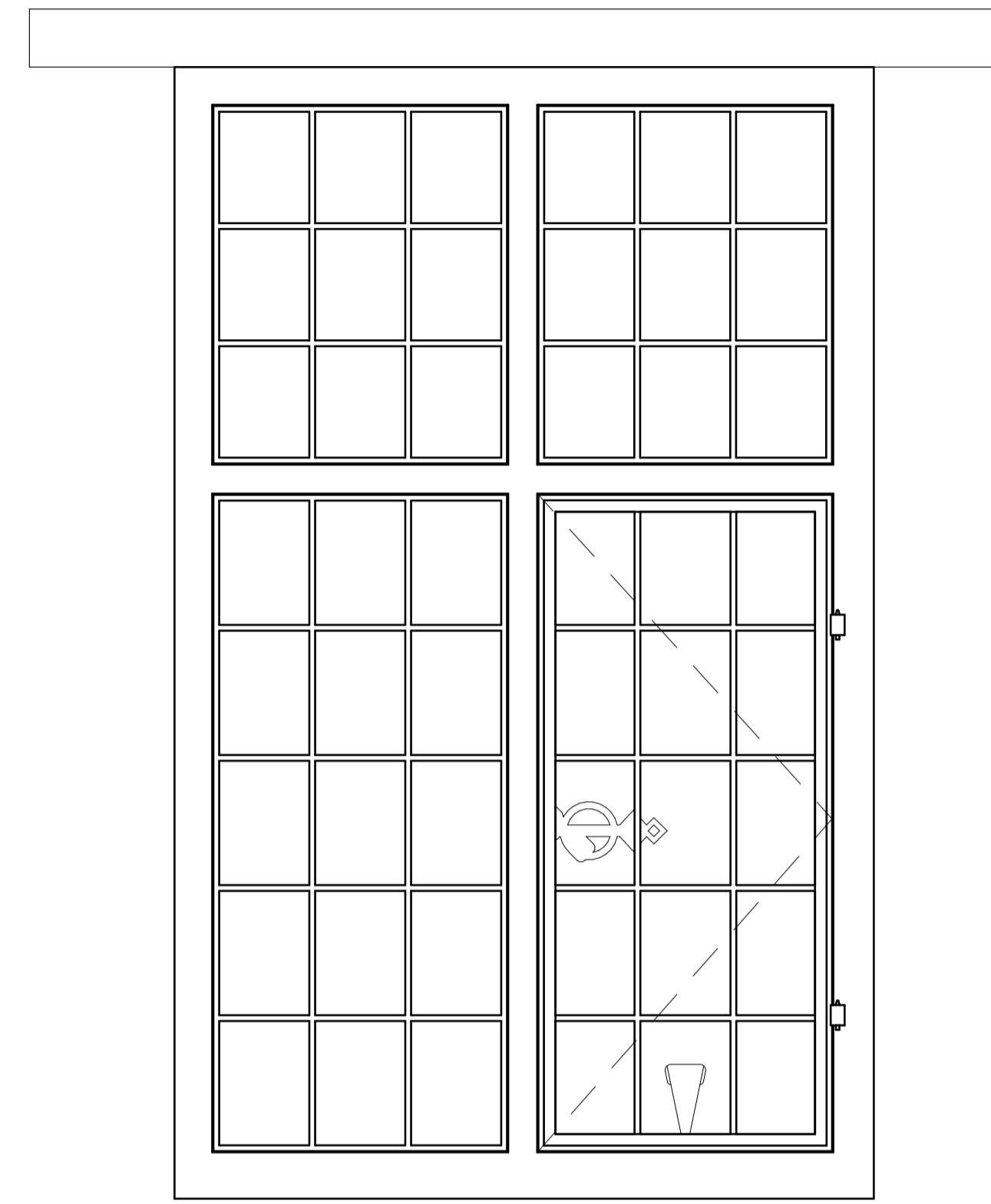




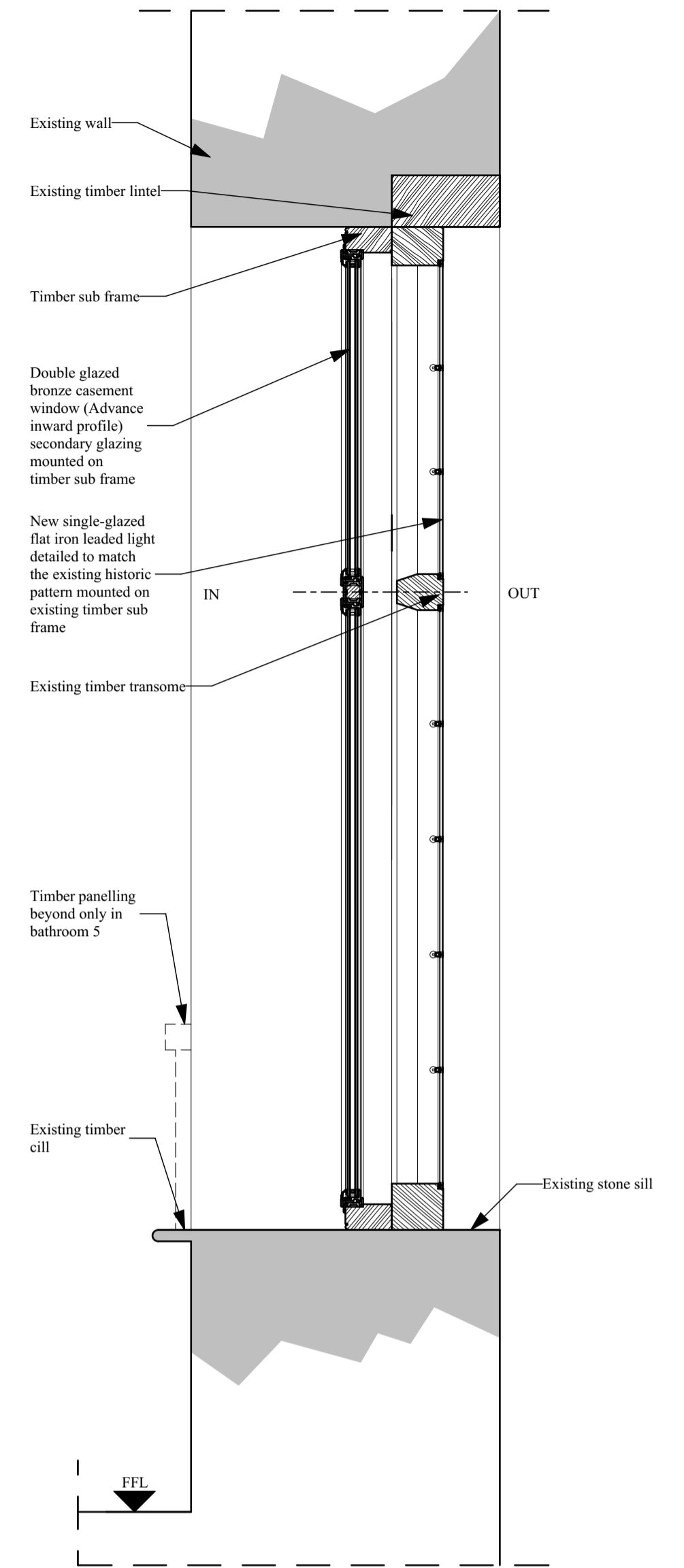
EXISTING EXTERNAL ELEVATION



EXISTING INTERNAL ELEVATION 1:10



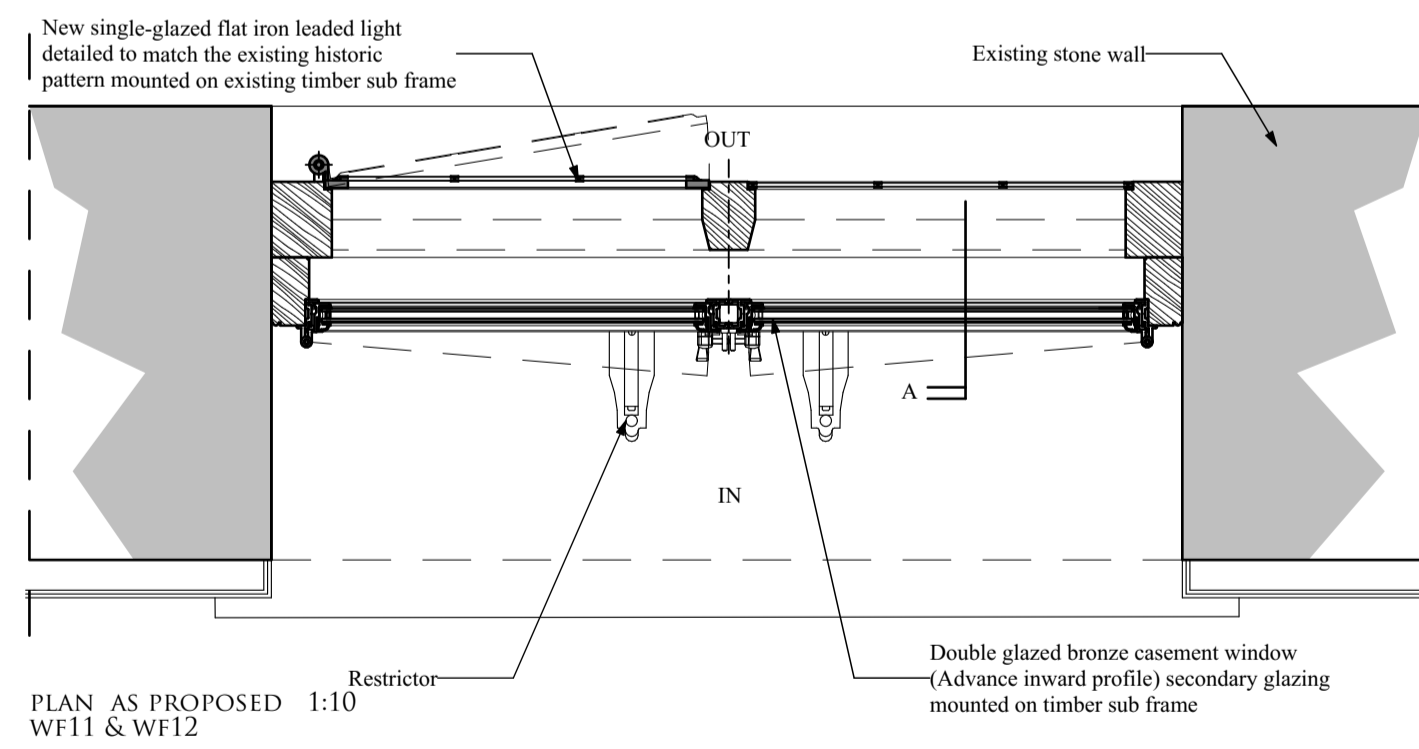
EXISTING EXTERNAL ELEVATION 1:10



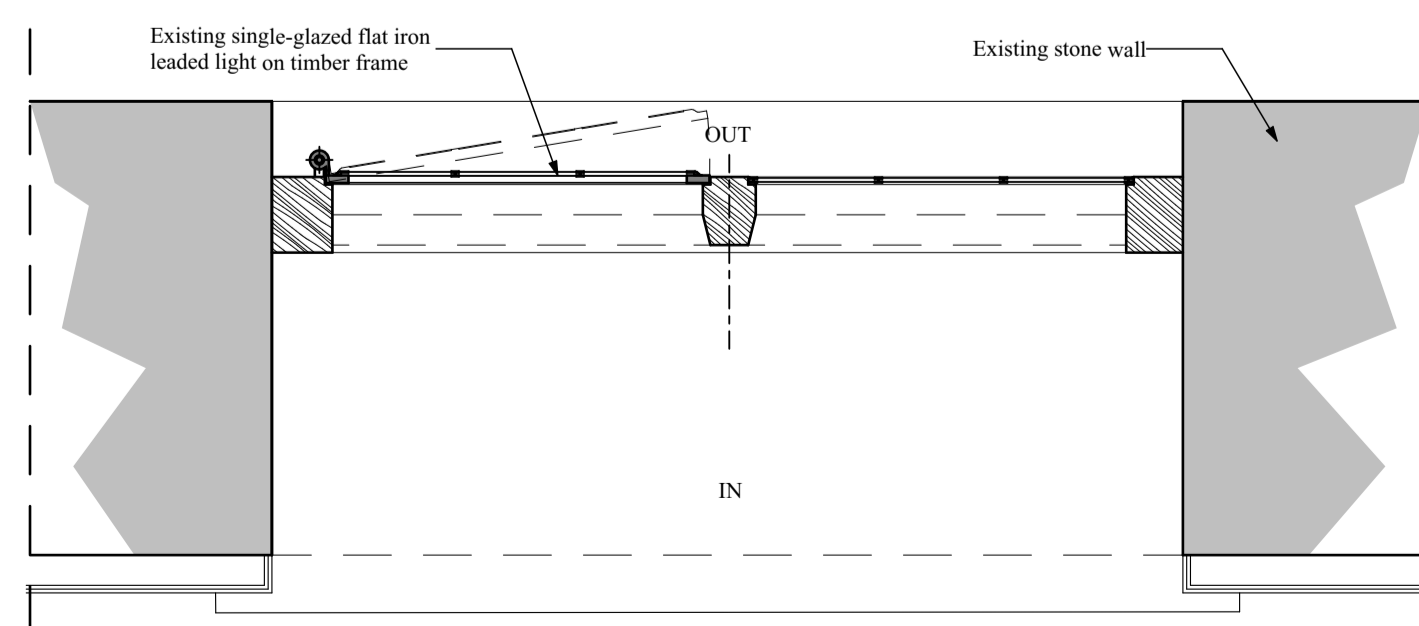
SECTION AS PROPOSED 1:10



EXISTING INTERNAL ELEVATION



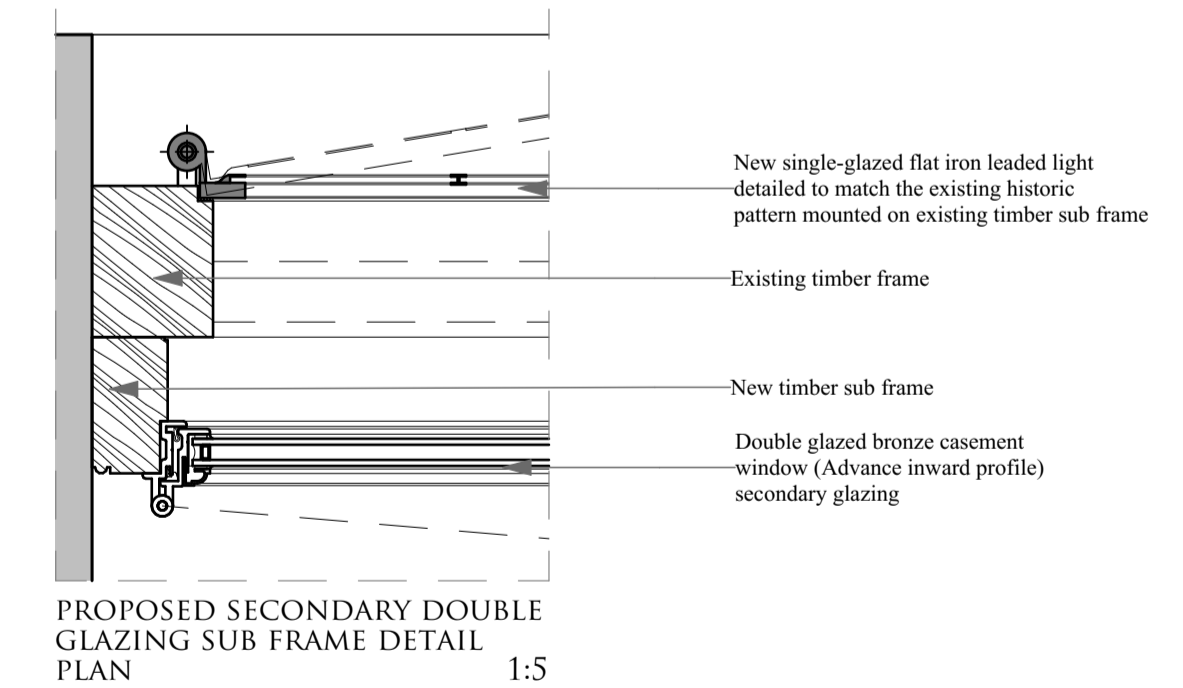
PLAN AS PROPOSED 1:10 WF11 & WF12



PLAN AS EXISTING 1:10 WF11 & WF12



PROPOSED SECONDARY DOUBLE GLAZING



PROPOSED SECONDARY DOUBLE GLAZING SUB FRAME DETAIL PLAN 1:5

REV	DATE	NOTES
A	14.09.23	Planning status indicated. External window updated to match existing. As existing window plan added.

PLANNING

CRAIG HAMILTON ARCHITECTS LTD
 COED MAWR FARM, HUNDRED HOUSE, RADNORSHIRE LD1 5RP · T: 01982 553312
 OLD STABLE BLOCK, INCUBIVE SPACE, HURSLEY PARK ROAD, HURSLEY SO21 2JN

PROJECT: THE OLD RECTORY, WITHINGTON
 DRAWING TITLE: BATHROOM 7 & NEW LAUNDRY WINDOW DETAILS
 DRAWING N^o: 0503/PL20 REV: A
 DATE: JUNE 2023 SCALE: 1:10, 1:5@ A1
 DRAWN BY: GK

CHECK ALL DIMENSIONS ON SITE AND REPORT ANY DISCREPANCIES. DO NOT SCALE FROM THIS DRAWING