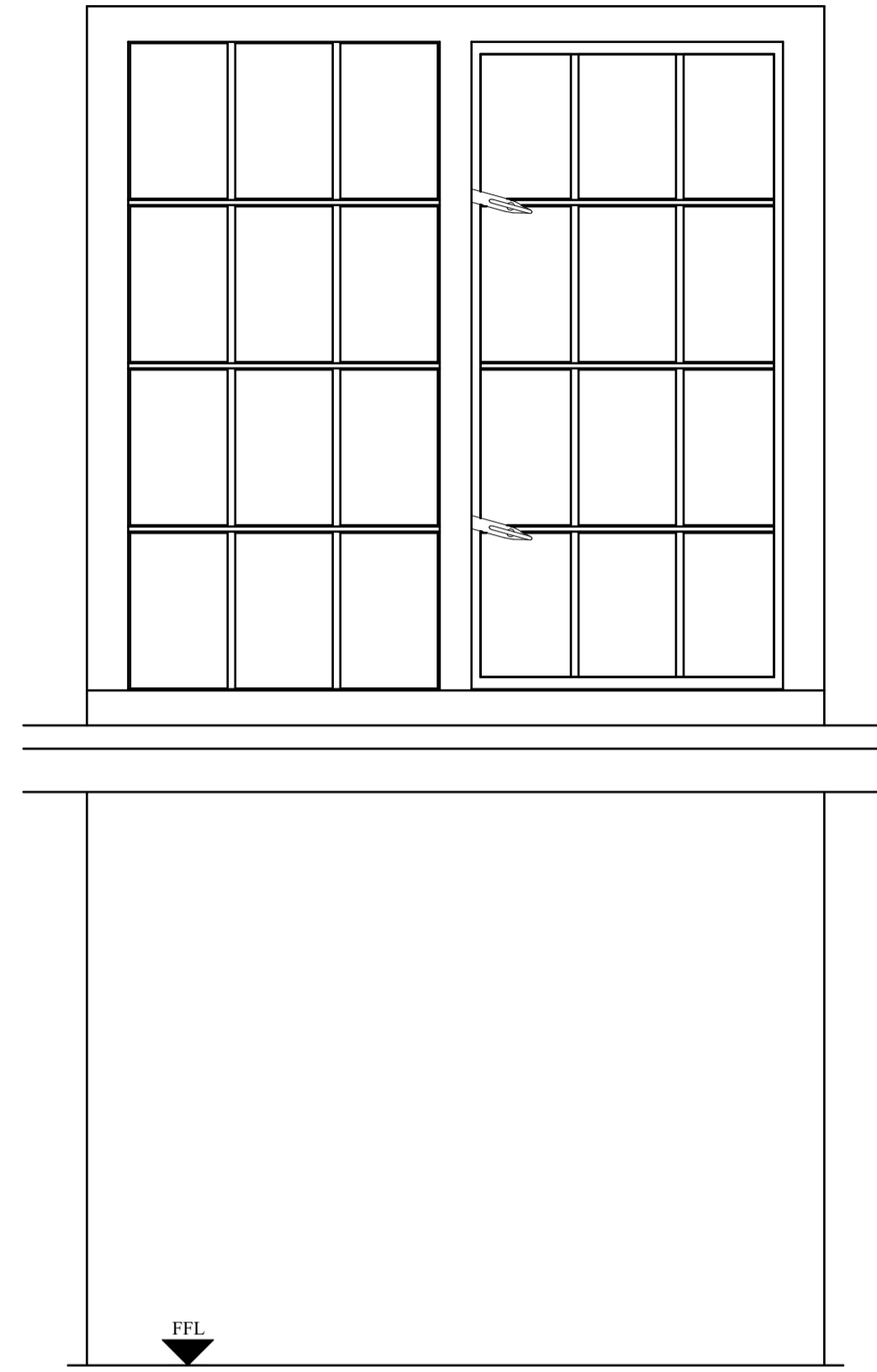
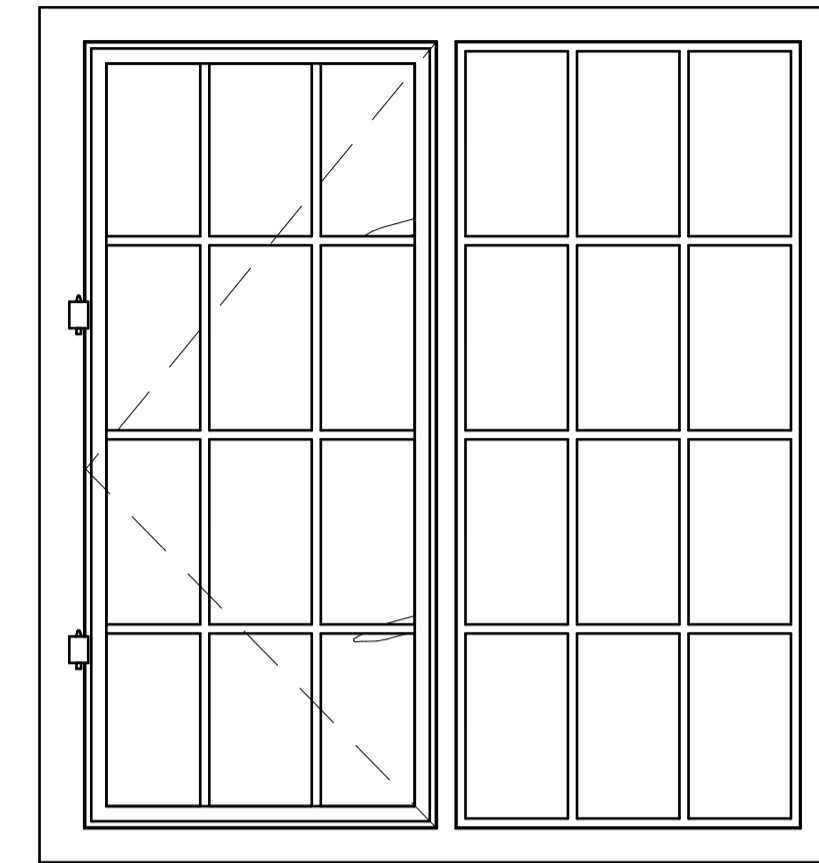




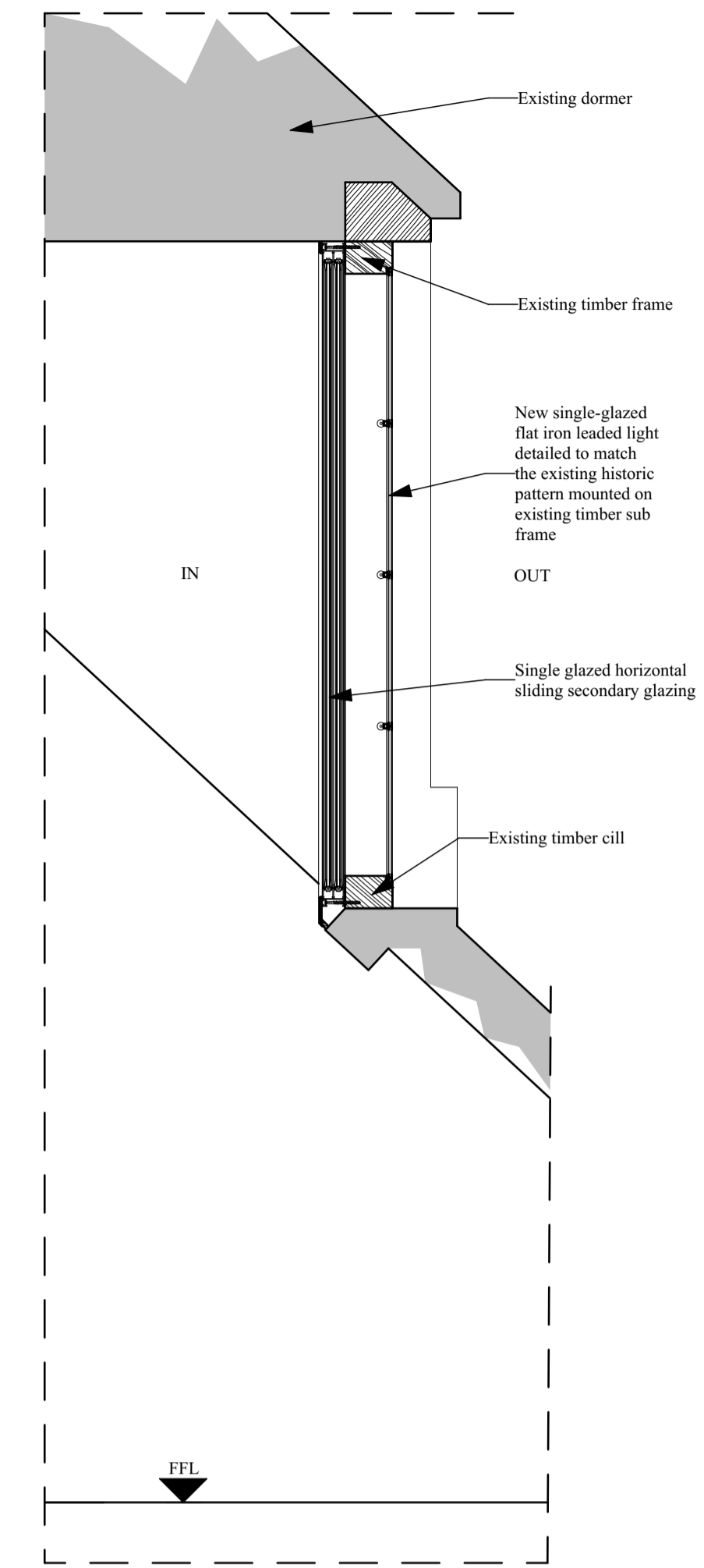
EXISTING EXTERNAL ELEVATION



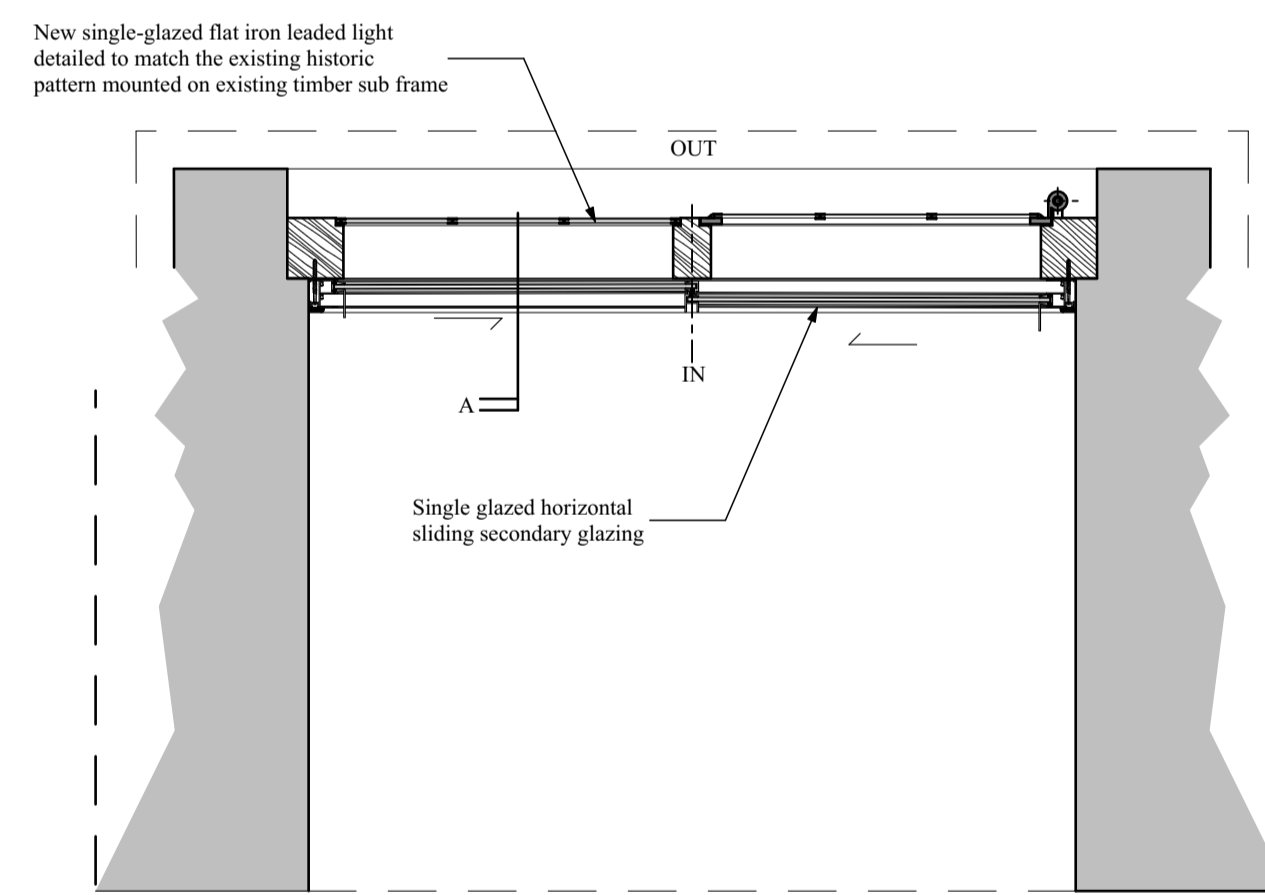
EXISTING INTERNAL ELEVATION 1:10



EXISTING EXTERNAL ELEVATION 1:10



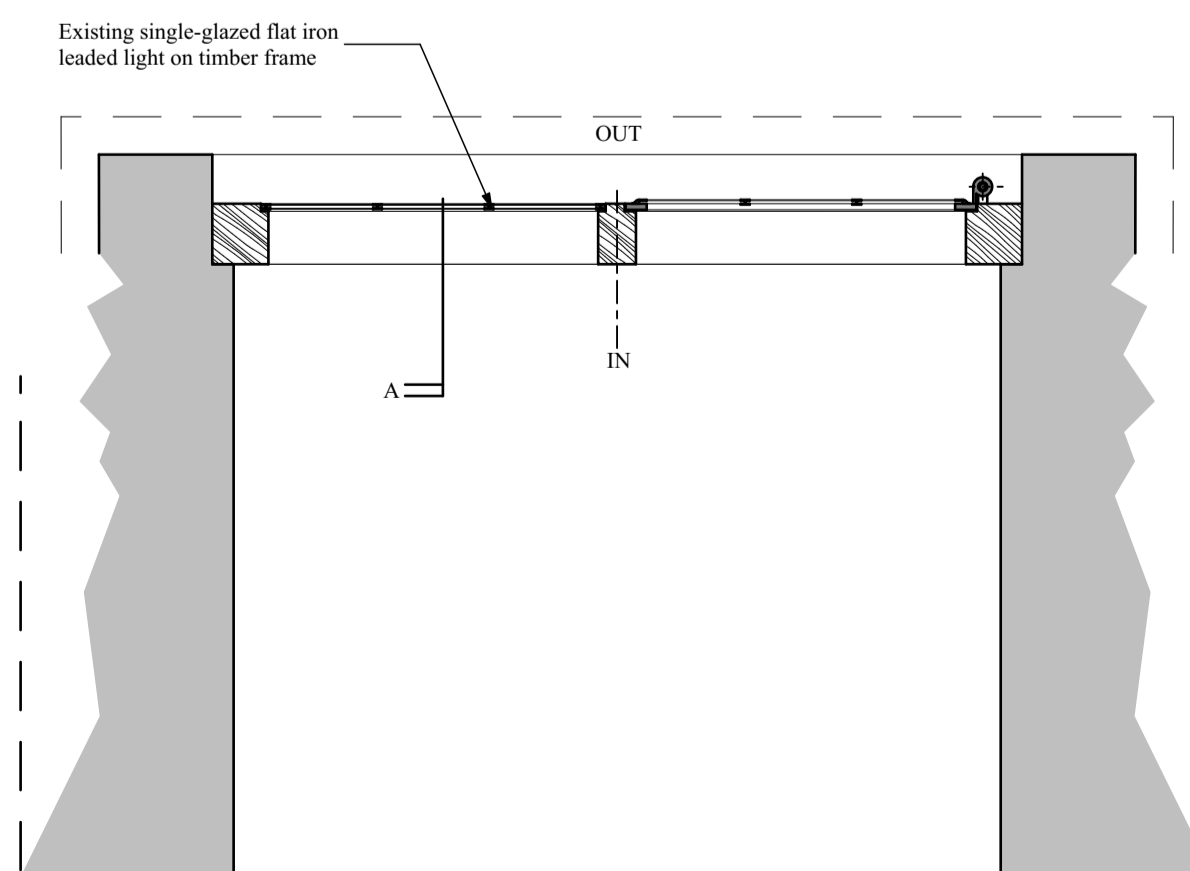
SECTION AS PROPOSED 1:10



PLAN AS PROPOSED 1:10  
WF20, WF21, WF22, WF23 & WF24



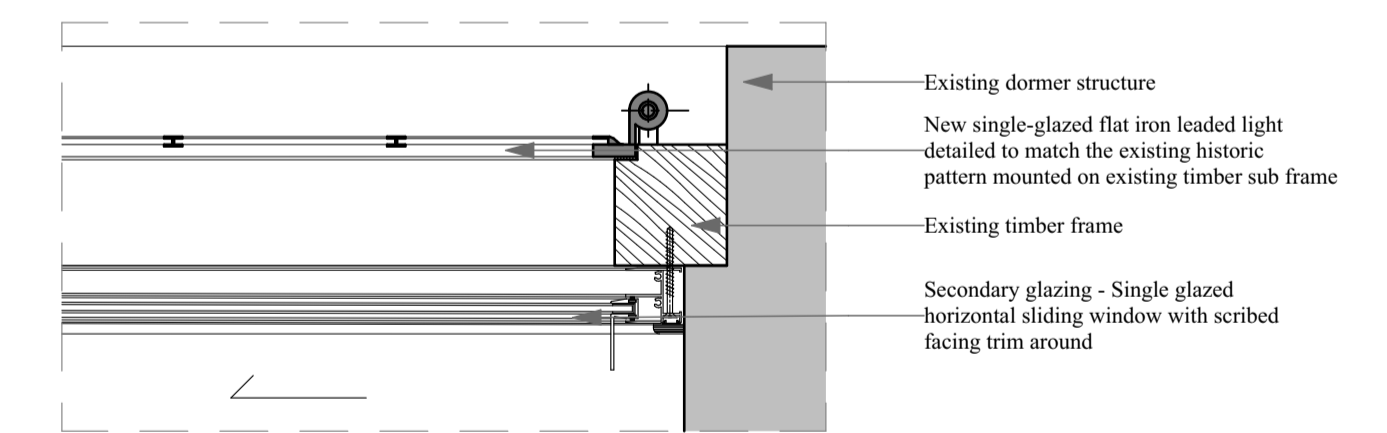
EXISTING INTERNAL ELEVATION



PLAN AS EXISTING 1:10  
WF20, WF21, WF22, WF23 & WF24



PROPOSED SECONDARY SINGLE SLIDING GLAZING



PROPOSED SECONDARY SINGLE GLAZING  
PLAN 1:5

REV	DATE	NOTES
A	14.09.23	Planning status indicated. External window updated to match existing. As existing window plan added.

## PLANNING

**CRAIG HAMILTON ARCHITECTS LTD**  
COED MAWR FARM, HUNDRED HOUSE, RADNORSHIRE LD1 5RP · T: 01982 553312  
OLD STABLE BLOCK, INCUBIVE SPACE, HURSLEY PARK ROAD, HURSLEY SO21 2JN

PROJECT: THE OLD RECTORY, WITHINGTON  
DRAWING TITLE: STUDIO DORMER WINDOWS DETAILS  
DRAWING N<sup>o</sup>: 0503/P122 REV: A  
DATE: JUNE 2023 SCALE: 1:10, 1:5@ A1  
DRAWN BY: MS