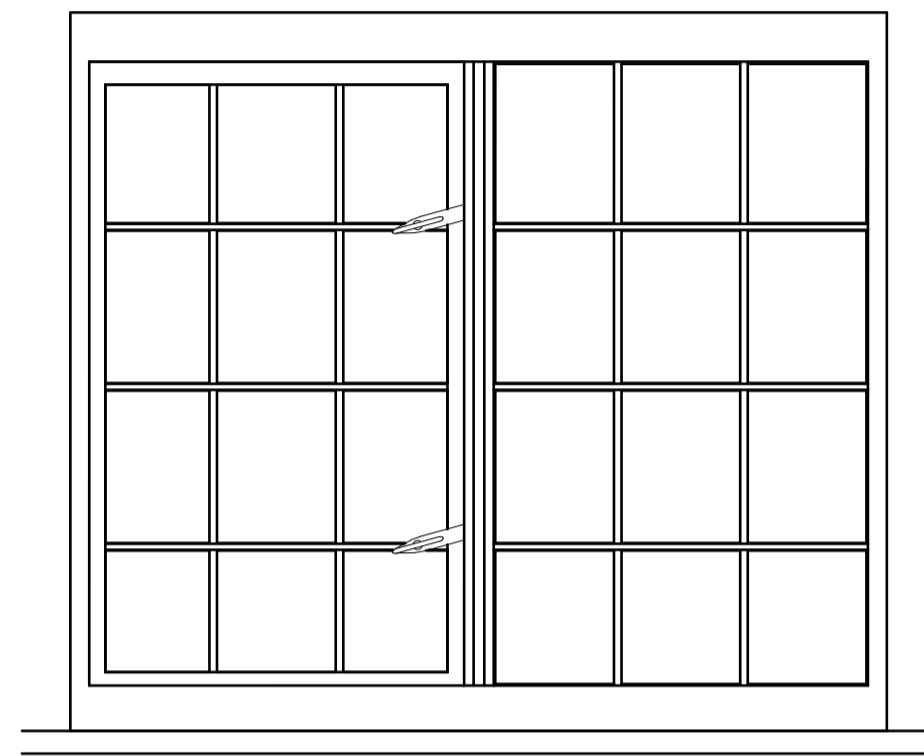


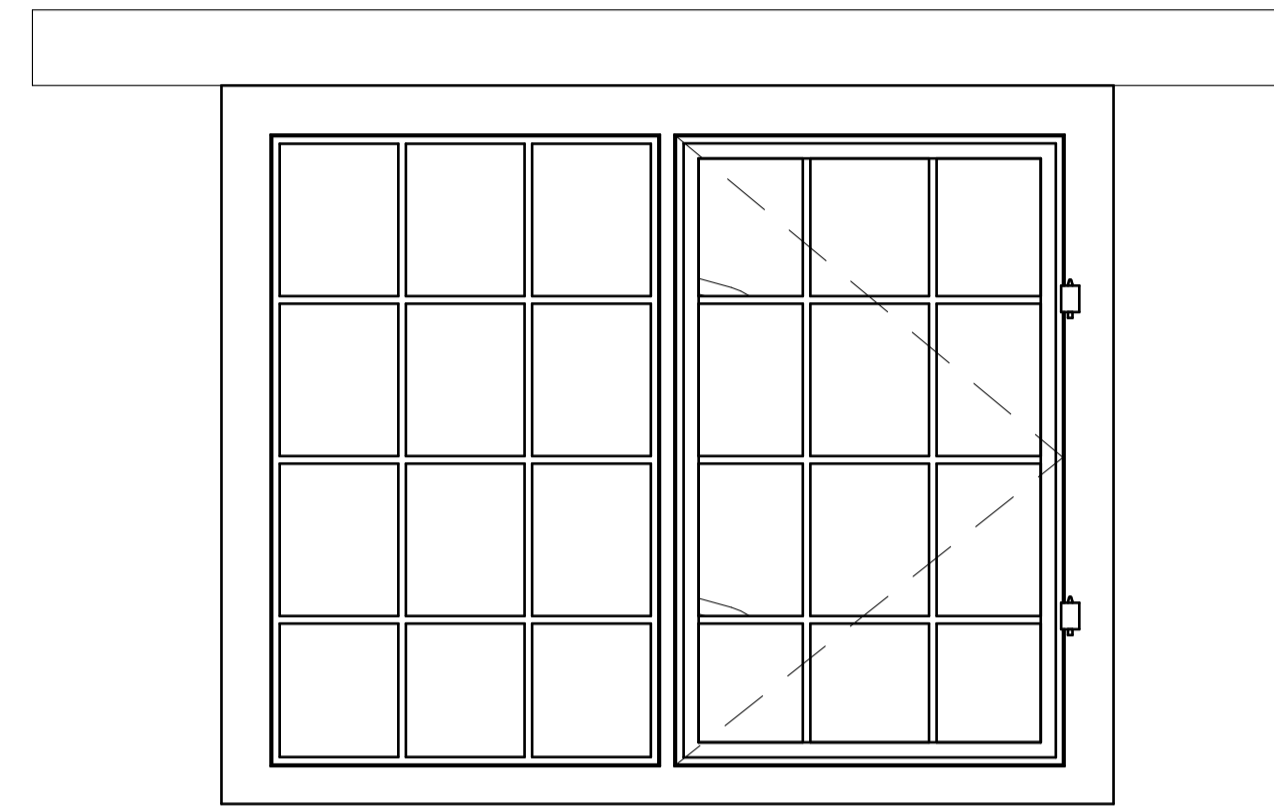


EXISTING EXTERNAL ELEVATION

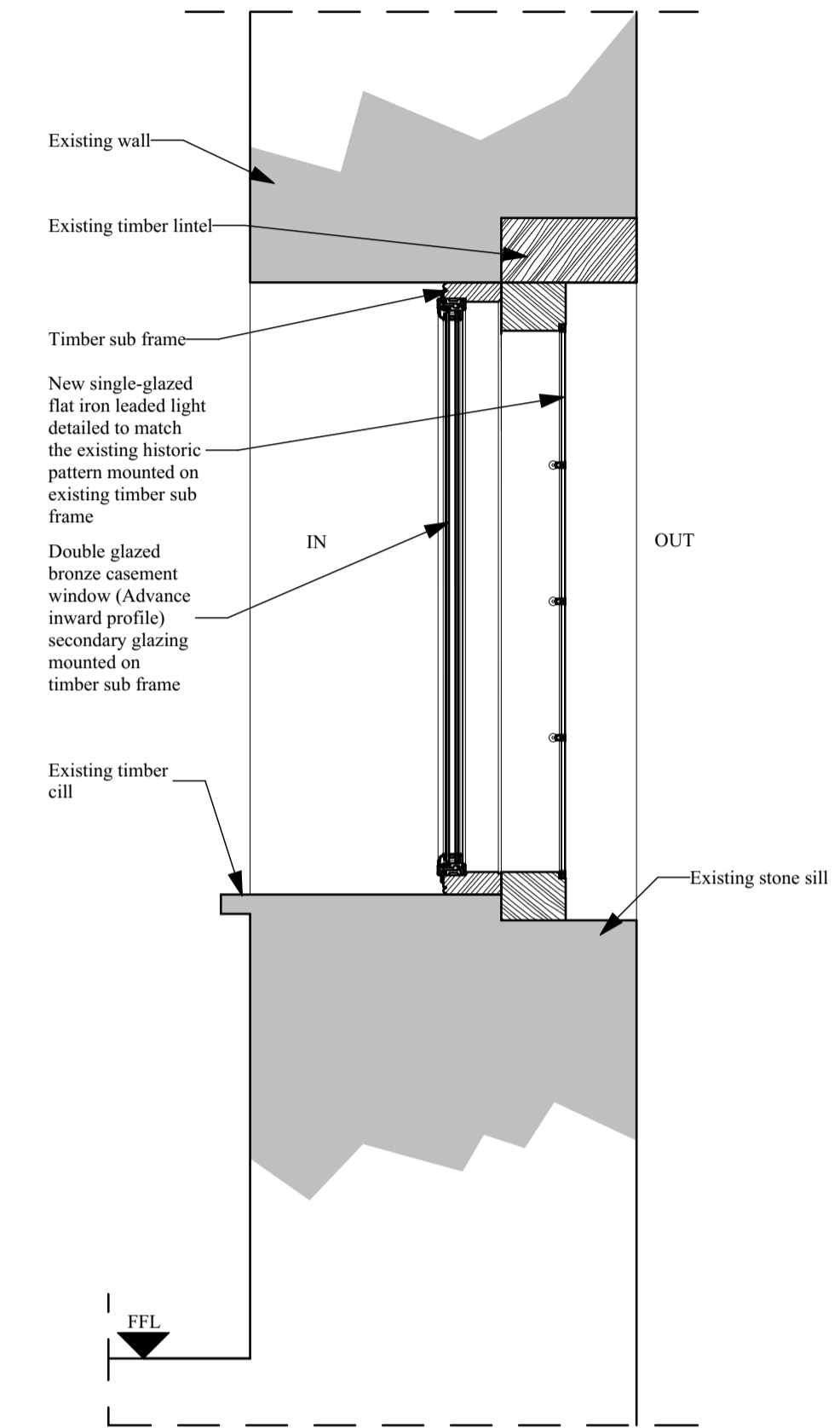


FFL

EXISTING INTERNAL ELEVATION 1:10



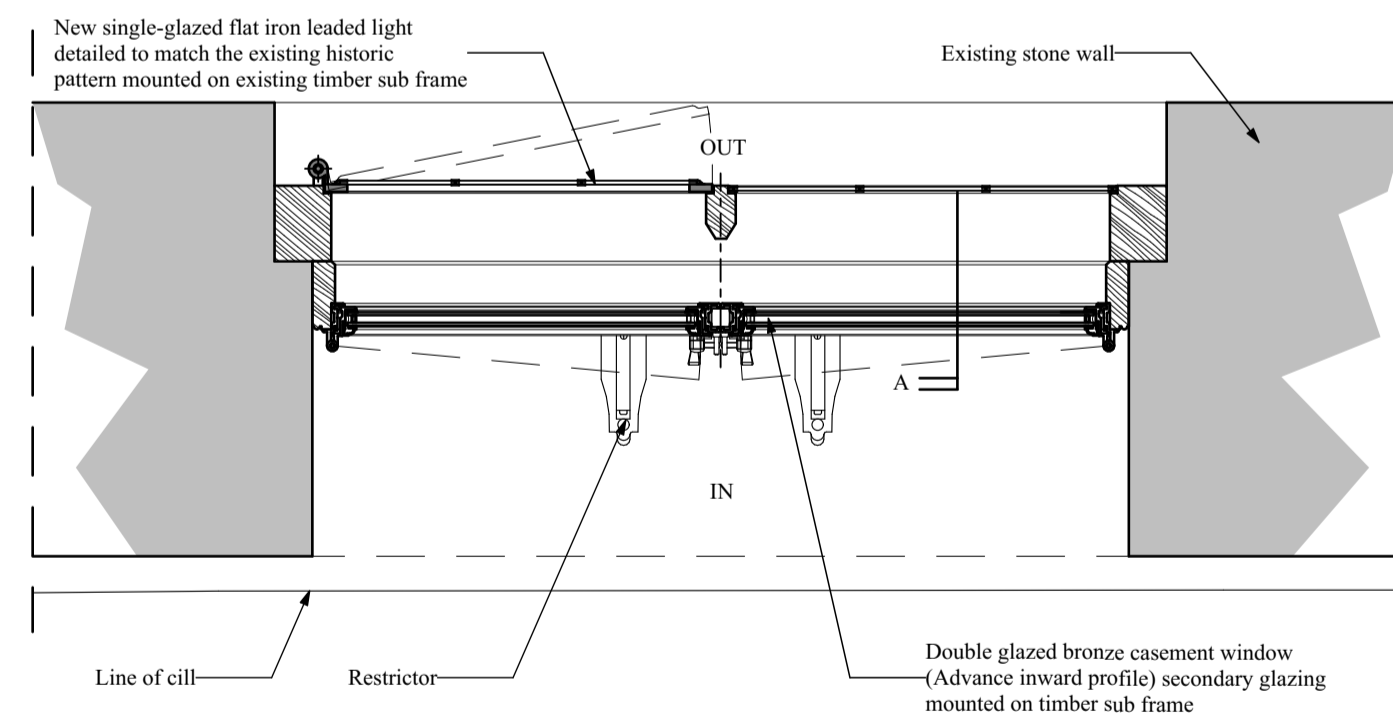
EXISTING EXTERNAL ELEVATION 1:10



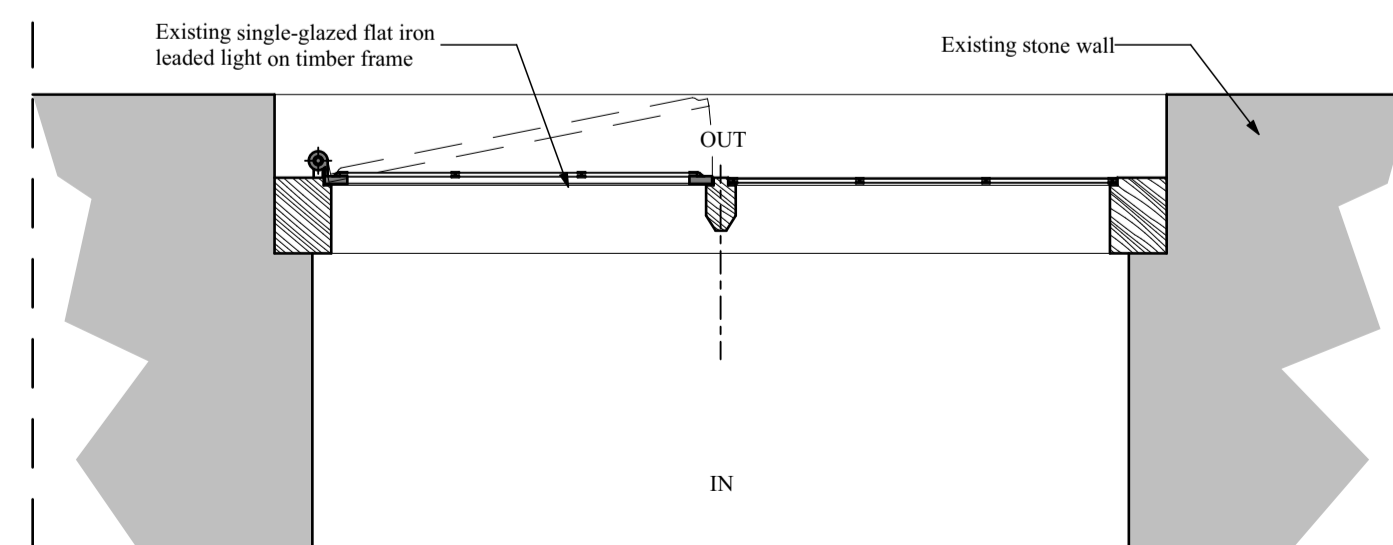
SECTION AS PROPOSED 1:10



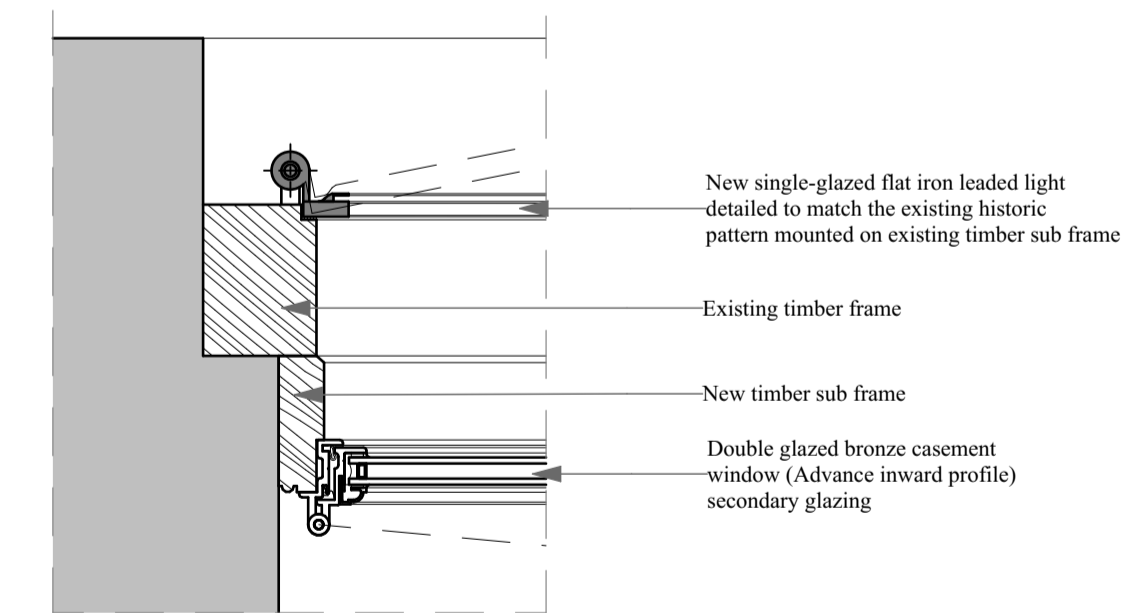
EXISTING INTERNAL ELEVATION



PLAN AS PROPOSED 1:10
WF18 & WF19



PLAN AS EXISTING 1:10
WF18 & WF19



PROPOSED SECONDARY DOUBLE
GLAZING SUB FRAME DETAIL 1:5



PROPOSED SECONDARY DOUBLE GLAZING

REV	DATE	NOTES
A	14.09.23	Planning status indicated. External window updated to match existing. As existing window plan added.

PLANNING

CRAIG HAMILTON ARCHITECTS LTD
COED MAWR FARM, HUNDRED HOUSE, RADNORSHIRE LD1 5RP · T:01982 553312
OLD STABLE BLOCK, INCUBIVE SPACE, HURSLEY PARK ROAD, HURSLEY SO21 2JN

PROJECT THE OLD RECTORY, WITHINGTON
DRAWING TITLE: COTTAGE LIVING AREA WINDOW DETAILS
DRAWING N^o: 0503/PL34 REV: A
DATE: JULY 2023 SCALE: 1:10, 1:5@ A1
DRAWN BY: MS