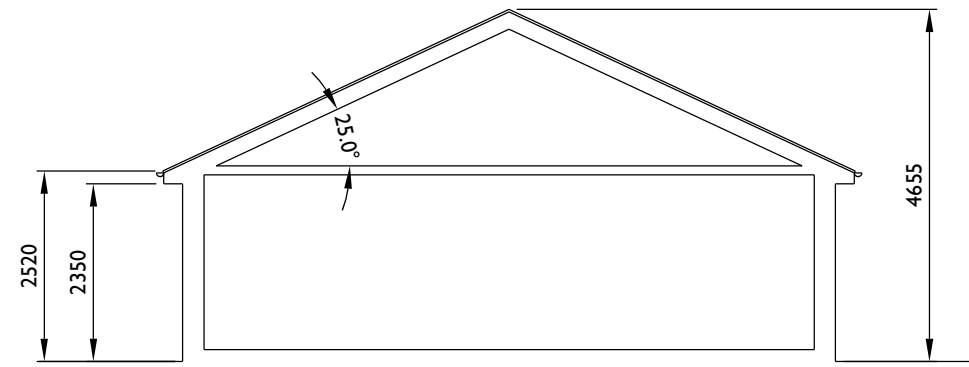


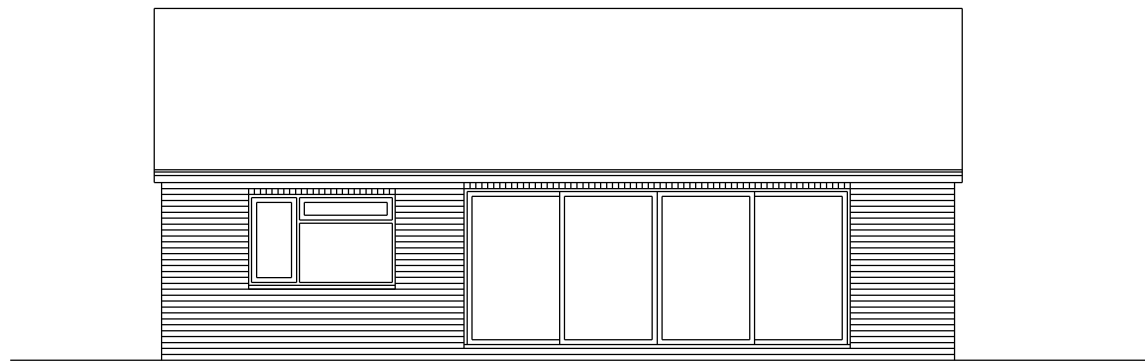
NOTES

THIS DRAWING MAY NOT BE REPRODUCED IN ANY PART OR FORM WITHOUT THE WRITTEN AUTHORITY OF THE ARCHITECT.

REV	DESCRIPTION	DATE
-----	-------------	------



SECTION



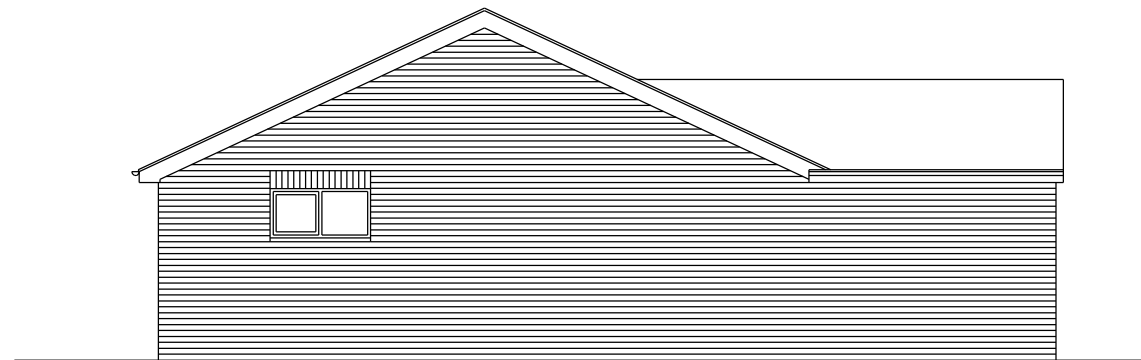
REAR ELEVATION - NORTH



SIDE ELEVATION - EAST



FRONT ELEVATION - SOUTH



SIDE ELEVATION - WEST

**TONY OKE**  
ARCHITECT

Coombe House  
9 Holly Lea, Jacobswell  
Guildford, Surrey, GU4 7PG

T: +44 (0) 1483 516629

E: tony@tonyokearchitect.com

Project

**MR and MRS A KERR**  
TANGLEWOOD  
3CLAY LANE JACOBSWELL  
GUILDFORD. GU4 7PF

Subject

**DESIGN DRAWINGS**

AS EXISTING  
ELEVATIONS and SECTION

Drawing Number Revision

**2023 - 05 - 03**

Scale Date

1/100 @ A3

JULY 2023

Drawn By COPYRIGHT ©

AGO

COPYRIGHT ©

M 1:100

0 1 2 3 4 5 6 7 8 9 10 [m]

